

KOE

Timer, electromechanical

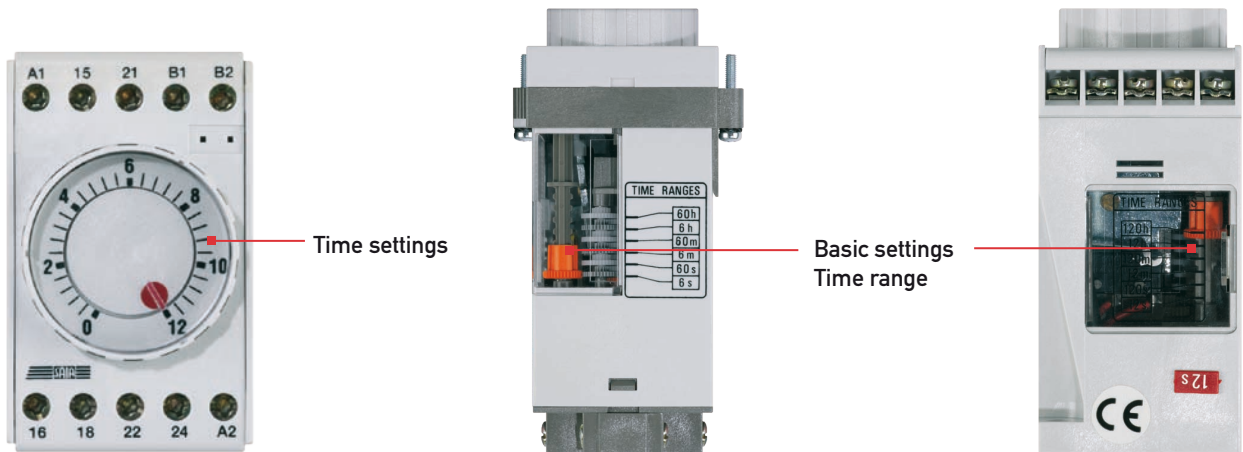
- Motor-driven timer
- Mounting on DIN rail or flush mounting with terminals or 11-pole socket
- 6 time ranges up to 60 h or 120 h
- 3 voltage ranges
- 1 timed and 1 instantaneous contact as potential-free change-over



From left to right: KOE 512, KOE 511

		KOE 511						KOE 512														
Functions	Surface mounting	•	•	•				•	•	•	•											
	Flush mounting				•	•	•	•				•	•	•	•							
	Surface or flush mounting (11-pole socket required)							•	•	•				•	•	•						
	Delayed operation	•	•	•	•	•	•	•	•	•	•											
	Delayed release											•	•	•	•	•						
	Resetting on supply	•	•	•	•	•	•	•	•	•	•											
	Standstill at zero voltage											•	•	•	•	•						
Operating voltage	24 V, 50 Hz	•		•			•			•			•									
	110...120 V, 50 Hz				•			•			•											
	230 V, 50 Hz		•	•		•	•		•		•	•		•	•							
Time ranges	...60 h	•	•	•	•	•	•	•	•	•	•	•	•	•	•							
	...120 h			•			•			•			•		•							
Order no.		KOE511A0MVB4N00	KOE511A0MVD5N00	KOE511A0MVD5N12	KOE511E0MVB4N00	KOE511E0MVD1N00	KOE511E0MVD5N00	KOE511E0MVD5N12	KOE511F0MVB4N00	KOE511F0MVD1N00	KOE511F0MVD5N00	KOE512A0MVB4N00	KOE512A0MVD1N00	KOE512A0MVD5N00	KOE512A0MVD5N12	KOE512E0MVB4N00	KOE512E0MVD1N00	KOE512E0MVD5N00	KOE512E0MVD5N12	KOE512F0MVB4N00	KOE512F0MVD5N00	KOE512F0MVD5N12

Settings



Technical data

Multi time ranges	6 s, 60 s, 6 min, 60 min, 6 h, 60 h (selectable) 12 s, 120 s, 12 min, 120 min, 12 h, 120 h (selectable) Time range setting during installation, at the side of the timer switch behind the front panel. The time is set within the selected range via a button on the front.
Minimum setting time	2% of the time range final value (t_{max})
Setting accuracy	1.5% of the time range final value (t_{max})
Repeat accuracy	$\pm 1.5\%$ of the time range final value (t_{max})
Reset time	KOE 512: 300 ms
Elapsed time indicator	By rotating time indicator
Operating voltage	24 V 50 Hz, 110...120 V 50 Hz, 230 V 50 Hz
Power consumption	<6 VA (total)
Duty cycle	100%
Outputs	1 timed and 1 instantaneous contact as potential-free change-over
Switching capacity	Timed contact: 250 VAC/5 A, 28 VDC/1 A Instantaneous contact: 250 VAC/0.5 A, 38 VDC/0.5 A
Insulation voltage	2 kV / 50 Hz
Protection class	Surface mounting: Front IP 50, terminals IP 30 Flush mounting: Front IP 50, terminals IP 10
Approvals	UL, C-UL
Ambient temperature	-10 °C to +55 °C
Connections	Screw terminals for 2 × 2.5 mm ² (solid wire) or 2 × 1.5 mm ² (multistrand with end sleeve)
Mounting	Surface mounting: Snap-on mounting on 35 mm rail according to EN 60715TH35 or screw mounting with 2 M4 screws Flush mounting: Mounting with plastic spring clip 45 × 45 mm, any mounting position

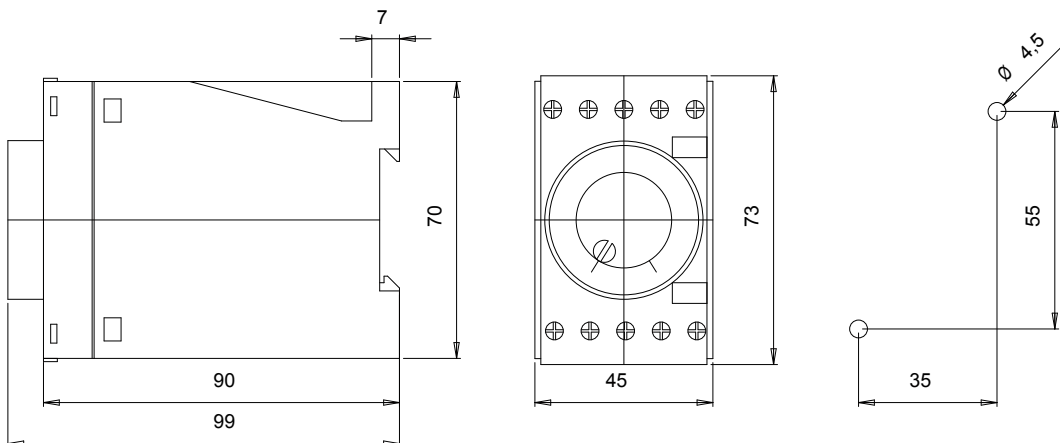
Accessories

Order no.

- 11-pole socket (47 × 47 × 20 mm) for flush mounting, connection with screw terminals	CJ211
- 11-pole socket (46.8 × 46.8 × 20.0 mm) for screw mounting or snap-on mounting on 35 mm rail according to EN 60715TH35. Connection with screw terminals	CJ250

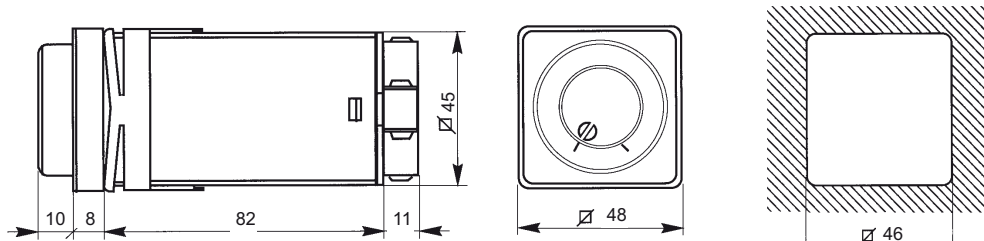
Dimension diagrams

Surface mounting

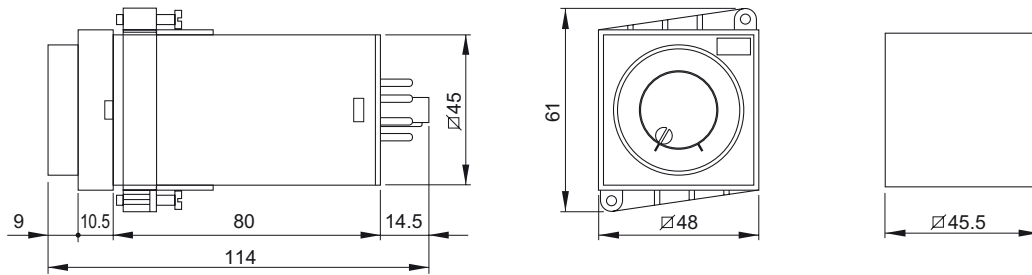


Type A

Flush mounting



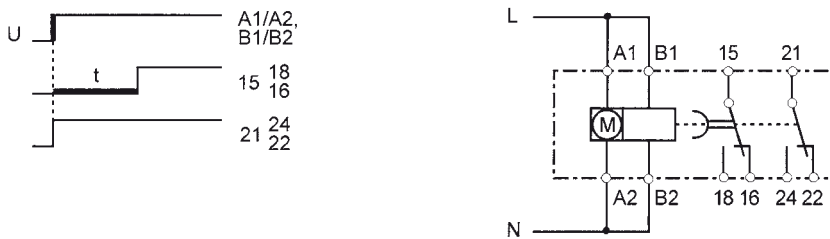
Type E



Type F (11-pole socket)

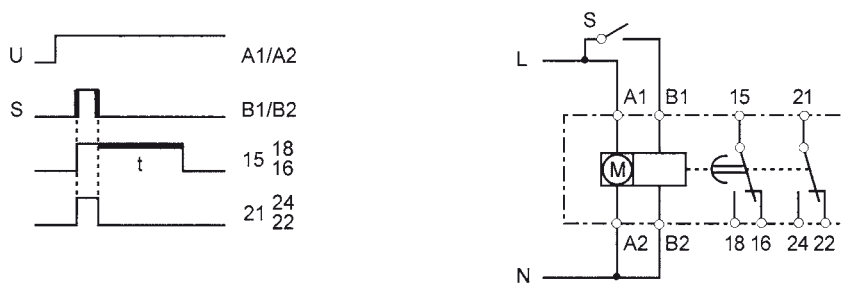
Time diagram and connection diagram

KOE 511: delayed operation, resetting on supply failure (fleeting-on delay timer and pulse lengthening by external wiring)



Voltage interruption for a reset >200 ms

KOE 512: delayed release, standstill at zero voltage



Duration of the control pulse >200 ms