

# CXP362

## Electronic preset counters

- Pulse preset counter, 1 preset
- Battery-powered (lithium batteries)
- Galvanically separated counter and reset input
- Input level 12...250 VAC/DC
- Easy-to-use decade keyboard
- 2-row LCD display for actual and setpoint value
- Max. counting frequency up to 25 Hz

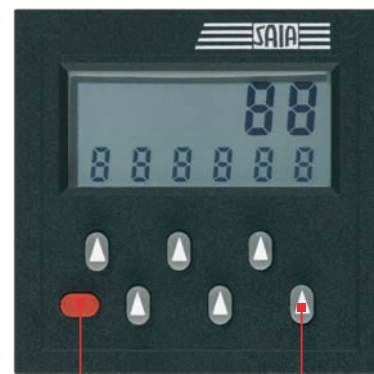


		CXP362
Mounting	Flush mounting	•
Function	One-channel, adding or subtracting counting method	•
	With or without automatic. reset	•
	Galvanically separated inputs	•
	1 relay output, programmable as make or break contact	•
Counting pulse/reset impulse	12...250 VAC/DC	•
Order no.		CXP362V6N0N000

## Applications

- Quantity control, service interval monitoring

## Settings



Reset key

Decade status  
For preset programming

## Technical data

Power supply	2 lithium batteries exchangeable by user: approx. 8 years at 20 °C
Display	LCD, 6-digit, actual value 7 mm, target value 4.5 mm
Data protection	Via battery with lo-bat display (min. 8 years with 5 mio switching cycles of the output relay)
Keyboard	6-digit decade keyboard, 1 reset key
Reset	Manual, electrical or lockable
Standards	IEC 61 000-6-4/IEC 55011 class B IEC 61 000-6-2
EMC	CE-compliant with EU Directive 89/36/EC
Housing	Dark grey RAL 7021
Ambient temperature	-10 °C to +50 °C, no condensation
Storage temperature	-25 °C to +60 °C
Protection type	IP 65 front
Dimensions	Front dimensions and switchboard section see dimension diagram

## Counting inputs

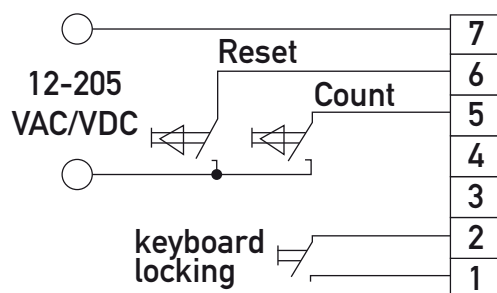
### Inputs

galvanically separated voltage inputs (bidirectional optocoupler inputs)	
Counter input	Max. 25 Hz
Reset input	Min. 50 ms
Input resistance	Approx. 110 kΩ
Switching level	Low: <3 VAC/DC, High: 12...250 VAC/DC
Control inputs	Potential-free keyboard locking input at least. 15 ms

### Outputs

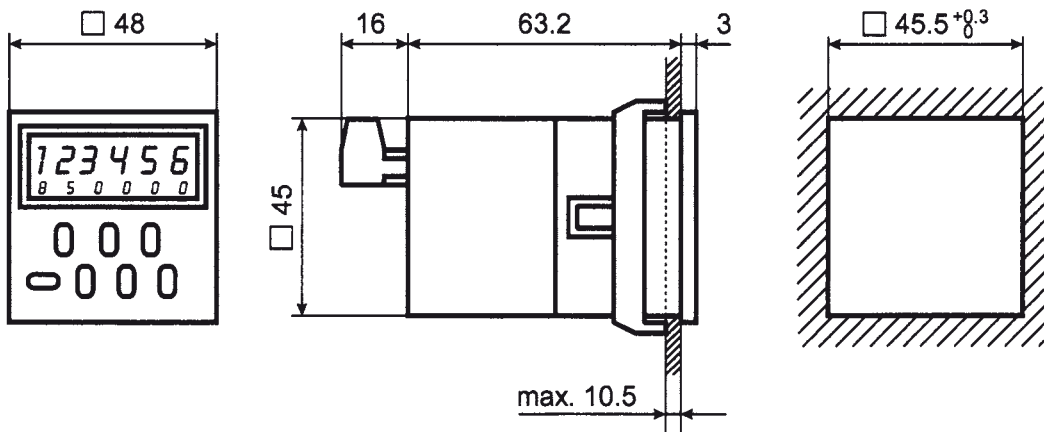
	Programmable as NC or NO contact
	Switching voltage max. 250 VAC/150 VDC
	Switching current max. 3 A
	Switching capacity with DC 90 W with AC max. 750 VA
Response time	<20 ms, max. 4 Hz
Display range	0...999 999

## Example of connection

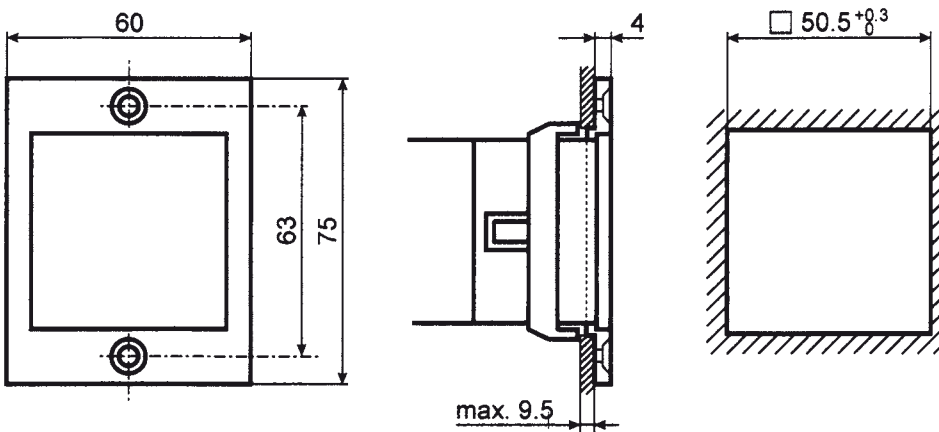


## Dimension diagrams

### Dimensions



### Dimensions for mounting frames (included in scope of delivery)



## Scope of delivery

- Counters
- lithium batteries
- Screw terminal
- Front frames for clamping spring mounting or panel cut-out (50 × 50 mm)
- Clamping springs
- Template for front panel cutout
- Instruction manual