

CXL221

Tachometers/frequency display

- Simple frequency display with gate time measurement principle
- Input frequency range from 1 Hz–12 kHz
- Battery-powered (lithium battery)
- Optional backlight display
- Screw terminal connection in 5 mm grid



		CXL221			
Mounting	Flush mounting	•	•	•	•
Input type	Tachometer with resolution 1/sec (1 Hz)	•	•	•	•
Display	Standard LCD display		•		•
	Display backlight	•		•	
Counting inputs	NPN	•	•		
	PNP			•	•
Order no.		CXL221VHL	CXL221VHN	CXL221VJL	CXL221VJN

Applications

- Simple frequency and speed display for engines, turbines, throughputs, production speeds



Technical data

Power supply	Internal lithium battery: approx. 8 years at 20 °C
Display backlight*	External voltage supply 24 VDC +/-20%, 50 mA
Display	LCD, 8-digit, 8 mm high
Resolution	1/sec (1 Hz)
Counting display	0...99999999
Standards	IEC 55011 class B, IEC 61 000-6-2 IEC 61010 part 1 (for AC versions only)
Housing	Dark grey RAL 7021
Ambient temperature	-10 °C to +55 °C, no condensation
Storage temperature	-20 °C to +70 °C
Protection type	IP 65 front
Dimensions	Front dimensions and switchboard section see dimension diagram

* only for VHL and VJL types

Counting inputs

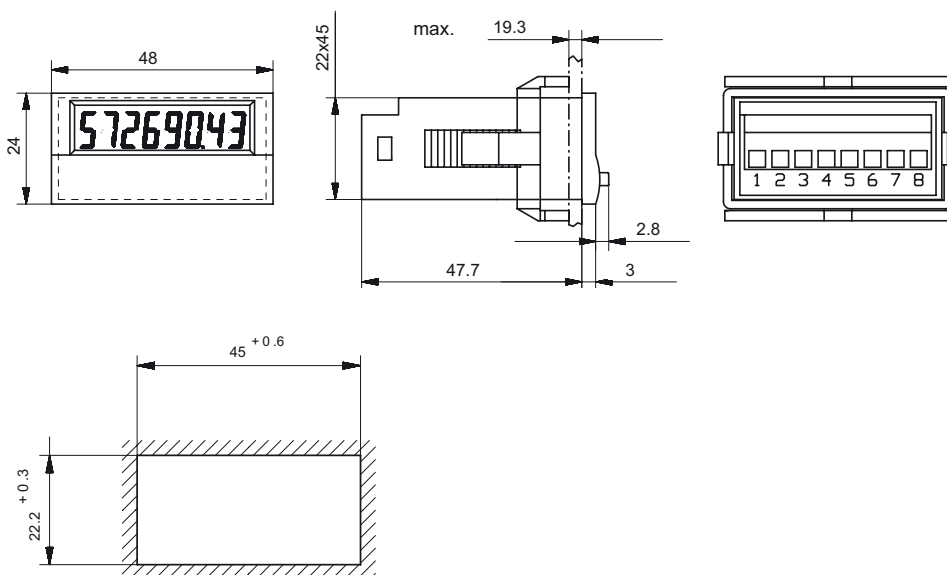
Counting input of the DC devices (max. 30 VDC)

Slowest counting input	Max. 30 Hz (NPN or PNP)
Fast counting input	Max. 12 kHz (PNP), 7 kHz (NPN)
Switching level	NPN: Low 0...0.7 VDC, High 3...30 VDC PNP: Low 0...0.7 VDC, High 4...30 VDC

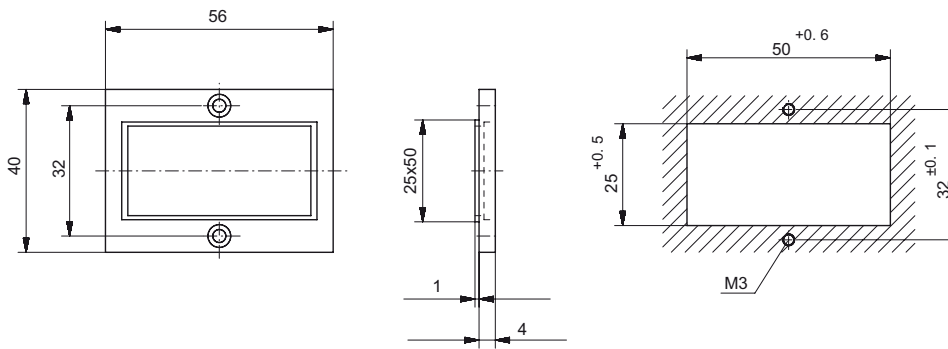
Type	Input type	Counting inputs							
		INP A				INP B			
...VHN, ...VHL	Tachometers	0...0.7 VDC	counting	NPN	7 kHz	0...0.7 VDC	counting	NPN	30 Hz
...VJN, ...VJL		4...30 VDC	counting	PNP	12 kHz	0...0.7 VDC	counting	PNP	30 Hz

Dimension diagrams

Dimensions



Dimensions for mounting frames (included in scope of delivery)



Terminal assignment

Screw terminal	Nr. 1	Nr. 2	Nr. 3	Nr. 4	Nr. 5	Nr. 6	Nr. 7	Nr. 8
Designation	INP A	INP B	-			GND	BL -	BL +
CXL221VHX	7 kHz	NPN	NPN				Backlighting (-)	Backlighting (+)
CXL221VJX	12 kHz	PNP	30 Hz	PNP	-	0 V DC	Backlighting (-)	Backlighting (+)

Scope of delivery

- Counters
- Clamping springs
- Front frames for screw mounting (56 × 40 mm) or panel cut-out (50 × 25 mm)
- Sealing
- Instruction manual