

CXG301

Double function counters for pulses, frequency and time

- Pulse counting with 2 areas or pulse and frequency counting or time and impulse counting or time meter with 2 areas
- Supply voltage 10...30 VDC
- Programmable using 2 large keys
- Multiplication and decimal factor for scalable display
- Max. counting frequency up to 60 kHz



| | | CXG301 |
|-----------------|---|-----------|
| Mounting | Flush mounting | • |
| Function | Pulse and frequency display | • |
| | Displays for overall and partial quantities | • |
| | Pulse and time meters | • |
| | Display for overall and partial time | • |
| Display range | 0...999 999 | • |
| Counting inputs | NPN | • |
| | PNP | • |
| Order no. | | CXG301M4N |

Applications

- Production data display with overall number of items and production speed
- Flow-rate display for current flow-rate and overall quantity
- Display of the ordered and overall number of items or daily and overall quantity
- Order time and total time monitoring
- Display of maintenance intervals and overall time
- Item and time counting, journey counting, operating timing of lifts

Settings



Reset key/
Location selection

Programming key

Technical data

| | |
|---------------------|---|
| Power supply | 10...30 VDC with integrated reverse voltage protection. |
| Current consumption | Max. 40 mA |
| Display | 6-digit red, 7-segment LED display, 8 mm high |
| Data protection | EEPROM |
| Counting display | 0...999 999 |
| Reset | Manual, electrical or lockable |
| Standards | IEC 61 000-6-4/IEC 55011 class B IEC 61 000-6-2 |
| EMC | CE-compliant with EU Directive 89/36/EC |
| Housing | Dark grey RAL 7022 |
| Ambient temperature | 10-26 VDC: -20 °C...+65 °C, no condensation >26-30 VDC: -20 °C...+55 °C, no condensation |
| Storage temperature | -25 °C to +70 °C |
| Protection type | IP 65 front |
| Dimensions | Front dimensions and switchboard section see dimension diagram |

Counting inputs

Inputs

| | |
|--------------------|---|
| Polarity of inputs | NPN or PNP programmable for all inputs |
| Counting frequency | Max. 60 kHz, can be reduced to 30 Hz |
| Input resistance | Approx. 5 k Ω |
| Switching level | Low: $0...0.2 \times U_B$ (VDC), High: $0.6 \times U_B...30$ VDC |
| Reset input | min 5 ms |

Pulse counting

| | |
|-----------------|---|
| Display range | 0...999 999, decimal space 0.0...0.000 |
| Display scaling | Divisor: 0 - 99.9999, multiplier: 0 - 99.9999 |

Frequency counting

| | |
|-----------------|---|
| Display range | 0...999 999, decimal space 0.0...0.000 |
| Display scaling | Divisor: 0 - 99.9999, multiplier: 0 - 99.9999 |
| Display unit | 1/min, 1/sec, period duration measurement principle |

Operating hours counting

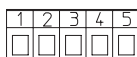
| | |
|---------------|--|
| Display range | 0...999 999, decimal space 0.0...0.000 (determines the resolution of the time range) |
| Time range | Hrs, mins or sec and hh.mm.ss |
| Resolution | 1 ms |

Various measurement types of timing (pulse widths and period duration)

Connections

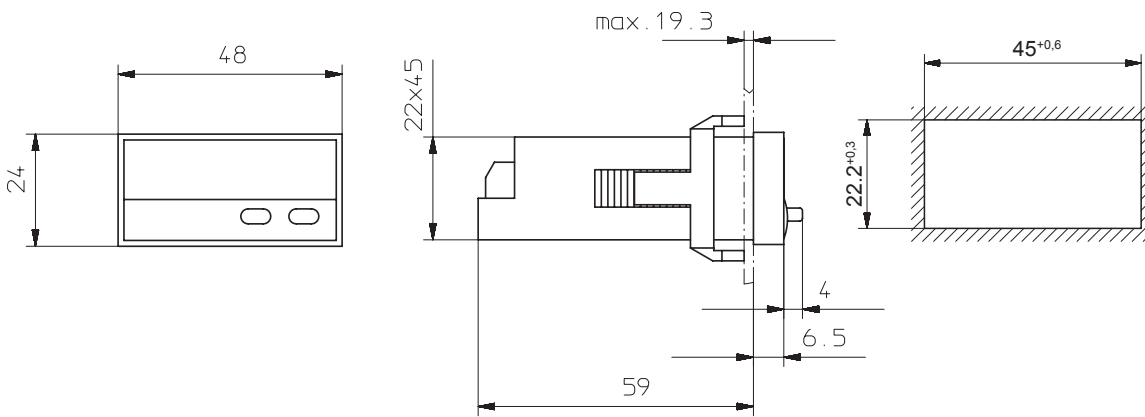
CXG301

1 10...30 V DC
2 0 V GND
3 INP A
4 INP B
5 Reset

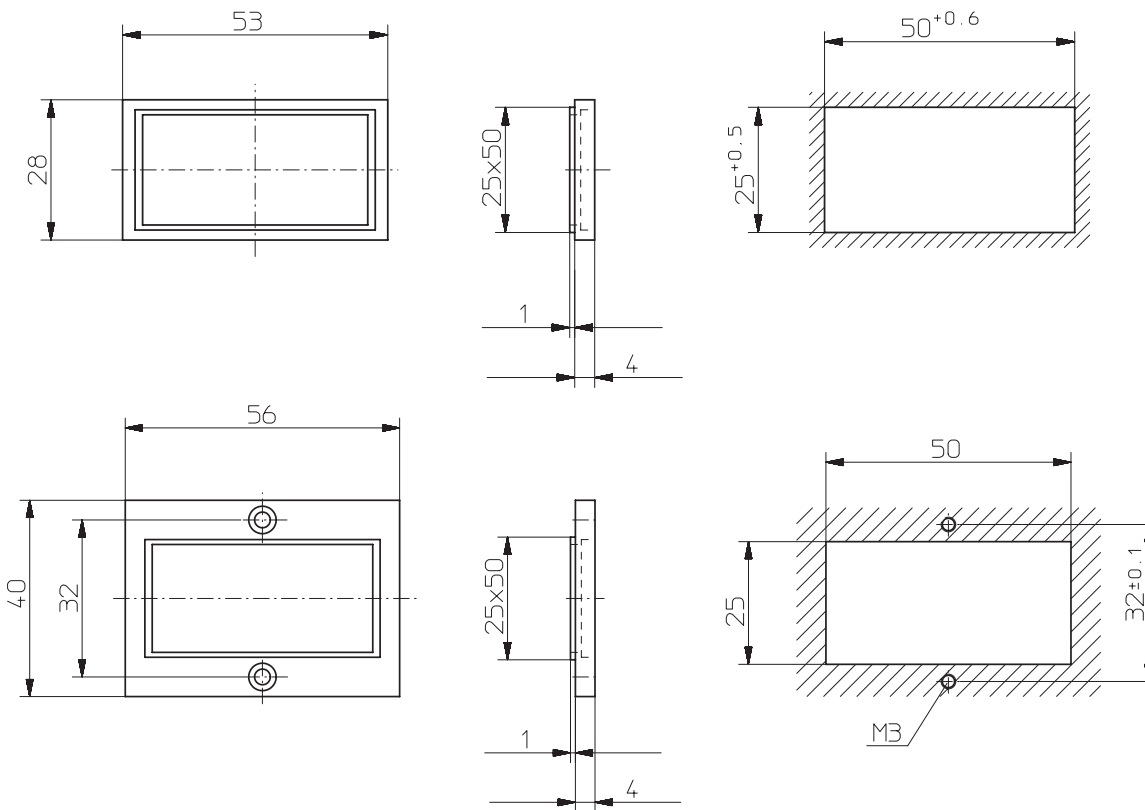


Dimension diagrams

Dimensions



Dimensions for mounting frames (included in scope of delivery)



Scope of delivery

- Digital display
- Clamping springs
- Front frames for screw mounting or panel cut-out (50 × 25 mm)
- Sealing
- Instruction manual