

CXG291

Process display for standard analogue signals

- Galvanically separated current and voltage input
- Automatic min.-/max. display
- Freely definable characteristic line ends
- Supply voltage 10...30 VDC, galvanically separated
- Input for 0/2...10 VDC and 0/4...20 mA
- Programmable using 2 large keys



		CXG291
Mounting	Flush mounting	•
Function	Power entry 0...20 mA	•
	Power entry 4...20 mA	•
	Voltage entry 0...10 VDC	•
	Voltage entry 2...20 VDC	•
Display range	-19.999...99 999 freely programmable	•
	Min/max value display	•
Order no.		CXG291M4N

Applications

- Display of standard signals, e.g. speeds, throughputs, voltages, currents, pressures, temperatures
- Positions of valve and exhaust throttle valve drive
- Volume display

Settings



Reset key/
Location selection

Programming key

Technical data

Power supply	10...30 VDC with integrated reverse voltage protection, galvanically separated
Current consumption	Max. 50 mA
Display	5-digit red, 7-segment LED display, 8 mm high
Data protection	EEPROM
Counting display	-19,999...99 999
Standards	IEC 61000-6-4/IEC 55011 class B IEC 61000-6-2
EMC	CE-compliant with EU Directive 89/36/EC
Housing	Dark grey RAL 7021
Ambient temperature	-10 °C to +50 °C, no condensation
Storage temperature	-25 °C to +70 °C
Protection type	IP 65 front
Dimensions	Front dimensions and switchboard section see dimension diagram

Counting inputs

Inputs

Input power measurement	0...20 mA, 4...20 mA, voltage loss max. 1,5 VDC
Input Voltage measurement	0...10 VDC, 2...20 VDC, input resistance approx. 1 MΩ Max. input voltage 30 VDC
Control input	High: 4...30 VDC, Low: 0...2 VDC
Resolution	14 bit
Accuracy	>0.1% of the entire measurement range at an ambient temperature of 20 °C
Temperature drift	<70 ppm/Kenvironment
Measurement rate	Approx. 2 measurement per sec

Connections

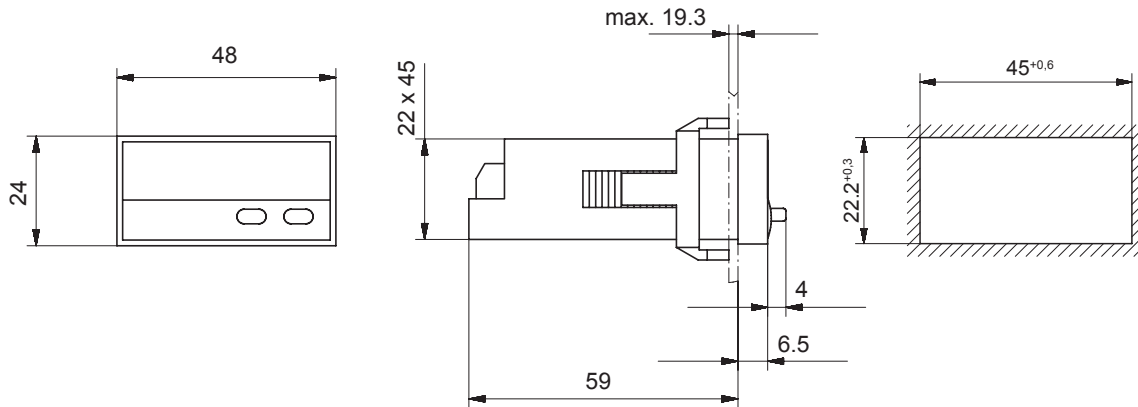
CXG291

- 1 10 – 30 V DC
- 2 GND
- 3 GND
- 4 LATCH
- 5 0 (4) – 20 mA DC
- 6 Analog GND
- 7 0 (2) – 10 V DC

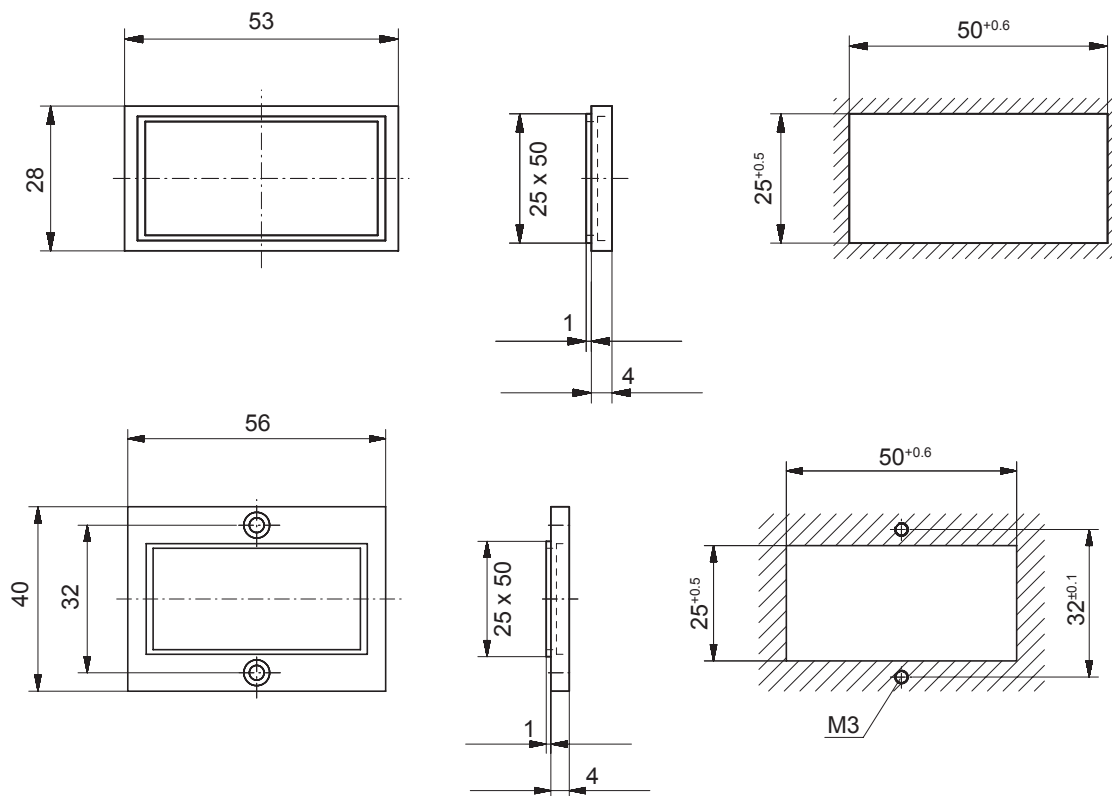


Dimension diagrams

Dimensions



Dimensions for mounting frames (included in scope of delivery)



Scope of delivery

- Digital display
- Clamping springs
- Front frames for screw mounting or panel cut-out (50 × 25 mm)
- Sealing
- 1 set of self-adhesive symbols
- Instruction manual