

CXD

Counter

Digital tachometers

CXD

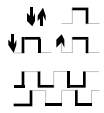
Characteristics	<ul style="list-style-type: none">■ monitors revolutions/velocity■ flow rate control■ 1 limit value
Mounting	<ul style="list-style-type: none">■ surface mounting■ flush mounting with clamping spring
Dimensions (mm)	45 x 45 x 86
Counting capacity	0...99.999
Display	■ LED, 7.5 mm high digit
Supply voltage	12.5...30 VDC and 230 VAC



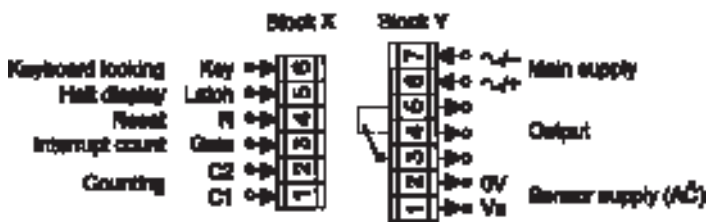
Preferred Range

Ordering Reference	Characteristics
	<ul style="list-style-type: none">■ Function Tachometer■ Counting capacity 0...99.999■ Output Relay■ Time unit 1 second■ Scaling factor 0.0001...99.999■ Delay time 01...99.9 s■ Counting frequency 10 kHz
CXD212D5N0N0N00	230 VAC, 50/60Hz
CXD212M4N0N0N00	24 VDC

Technical data

Counting capacity	0...99.999
Frequency range	0.01...10 000 Hz max. 7500 Hz with dual evaluation
Scaling factor	0.001...9.999 and gate time 0.01...99.99 s programmable
Input function	counting up and down, programmable counting input functions:
	 <p>Change of counting direction Differential counting Rotational direction detector (phase sensing) single or dual evaluation²⁾</p>
Preset	1 limit value, keyboard entry
Reset	to zero; none, manual and/or electrical programmable (reset impulse: min. length 5 ms)
Display	7-segment LED, 7.5 mm high; programmable with or without fixed decimal point
Supply voltage	11...30 VDC (U_{in}), residual ripple max. 2% 207...253 VAC, 50/60 Hz
Power consumption	2.5 W (24 VDC) or 4 VA (AC)
Types of sensor	contacts, voltage impulses, electronic sensors NPN/PNP (programmable pull-up/pull-down input mode)
Input voltage	DC: Low 0...0.2 x U_{in} , High 0.6 x U_{in} ...30 V AC: Low 0...4 V, High 12...30 V
Sensor supply	AC: $V_s = 24$ VDC, -40%/+15%, max. 80 mA, unregulated
Output	relay, max. 3 A/250 VAC, permanent signal or impulse signal programmable 0.01...99.98 s
EMC/Interference immunity	according to EN 50 082-2
EMC/Emissions	class B according to EN 55 011
Data protection	min. 10 years (EEPROM)
Protection class	front IP54
Approvals	UL, C-UL
Ambient temperature	0°C to +50°C
Mounting	flush mounting, mounting by plastic spring clip or by front frame CJ406 for 2 x M4 screws, any mounting position
Connections	2 x plug-in screw-terminal connection for wires 0.2...2.5 mm ²

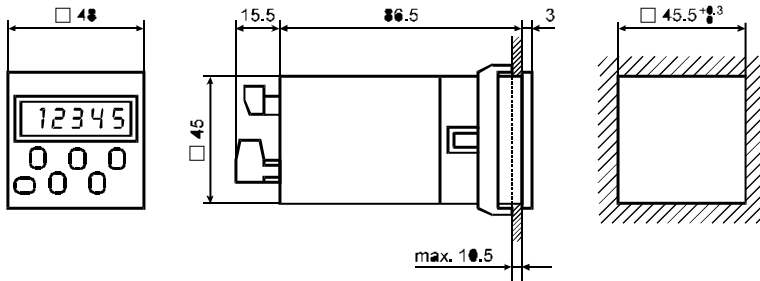
Connection diagram



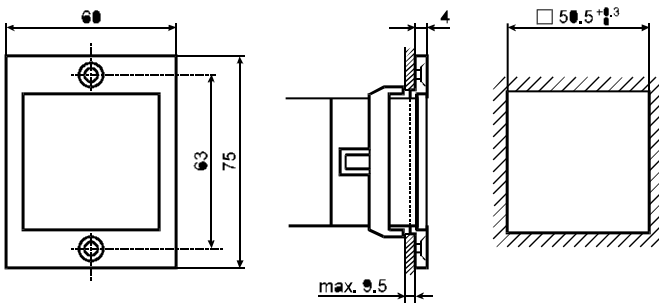
Detailed information on programming and electrical connection is enclosed with the counter.

Technical data

Dimensions



with front frame for screw mounting



Ordering Reference

Type	CXD	
Function	212	1 preset value/output
Supply voltage	M4	12.5...30 VDC
	D5	230 VAC
	NONO NOO	