

CMU072

Electromechanical hour meters

- 7 or 8-digit hour meter 4
- Without reset, high shock resistance
- Small size, optically large figures
- IP 65 protection type from the front
- 10...30 VDC, 20...30 VAC, 100...130 VAC, 187...264 VAC



| | | CMU072 | | | |
|-------------------|--|-----------------|-----------------|-----------------|-----------------|
| Mounting | Surface mounting for DIN rail | | | | |
| | Flush mounting | • | • | • | • |
| | Machine solderable and washable, plugable on circuit board | | | | |
| Reset | Without reset | • | • | • | • |
| | With reset | | | | |
| | Manual and electrical reset | | | | |
| | Down counting manual and electrical reset | | | | |
| Counting capacity | 99 999 | | | | |
| | 999 999 | | | | |
| | 9999 999 | | | | |
| | 99999 999 | | | | |
| | 99999.99 h, decimal places in red | | | | |
| | DC 999999.99 h / AC 99999.99 h decimal places in red | • | • | • | • |
| Connections | Stranded wire 150 mm | | | | |
| | Fast-on connectors 2.8 × 0.8 mm | | | | |
| | Connection terminals max. 2.5 mm ² | • | • | • | • |
| | Solder pins 0.4 × 1.2 mm | | | | |
| | Round pins 1.5 mm | | | | |
| Operating voltage | 10...30 VDC | | | | • |
| | 20...30 VAC | • | | | |
| | 100...130 VAC | | | • | |
| | 187...264 VAC | | • | | |
| Order no. | | CMU072B4N0L0N00 | CMU072E1N0L0N00 | CMU072J1N0L0N00 | CMU072T5N0L0N00 |

Applications

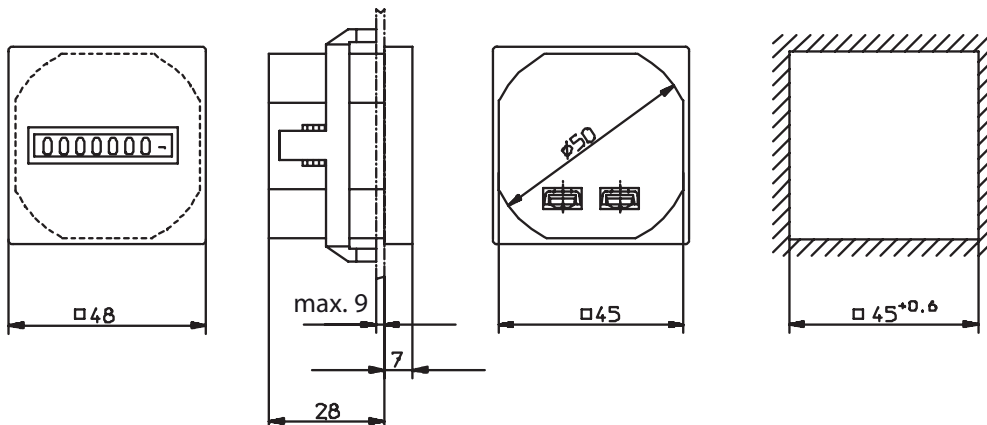
- General timing
- Maintenance intervals for measurement devices (artificial respiration, oxygen, dialysis)
- Small devices, display panels in vehicles

Technical data

| | |
|------------------------------|---|
| Counting capacity | AC: 99999.99 h, decimal places in red DC: 999999.99 h, decimal places in red |
| Accuracy | AC: Mains frequency + 30 ms, DC < 0.003% (for 24 h) |
| Display | Dials, white figures on black background, approx. 1.8 × 4 mm |
| Operating voltage | 10...30 VDC; 20...30 VAC, 50 Hz; 100...130 VAC, 50 Hz; 187...264 VAC, 50 Hz |
| Power consumption | 10...30 VDC, ca. 500 mW 20...30 VAC, 50 Hz, ca. 0.3 VA 100...130 VAC, 50 Hz, ca. 0.6 VA 187...264 VAC, 50 Hz, ca. 1.2 VA |
| Duty cycle | 100% |
| EMC/immunity to interference | DIN IEC 61 000-6-2 |
| EMC/noise emission | DIN IEC 61 000-6-3 |
| Protection class | Up to IP 52, DIN 40 050 from the front |
| Ambient temperature | -15 °C to +50 °C, no condensation |
| Mounting position | Any |
| Housing colour | Plastic PC (polycarbonate) |
| Dimensions | Front dimensions and switchboard section see dimension diagram |
| Connections | Screw terminal connection up to a maximum of 2.5 mm ² Max. tightening torque 0.8 Nm, cable entry from behind |

Dimension diagrams

CMU072, flush mounting, with tension spring, terminals for cable diameter up to a maximum of 2.5 mm²



Scope of delivery

- hour meter
- clamping spring