

# CMT072

## Electromechanical hour meters

- 7 or 8-digit hour meter 48 × 24 mm
- Without reset, high shock resistance
- Small size, optically large figures
- IP 65 protection type from the front
- 10...30 VDC, 20...30 VAC, 187...264 VAC



		CMT072		
Mounting	Surface mounting for DIN rail			
	Flush mounting	•	•	•
	Machine solderable and washable, plugable on circuit board			
Reset	Without reset	•	•	•
	With reset			
	Manual and electrical reset			
	Down counting manual and electrical reset			
Counting capacity	99 999			
	999 999			
	9999 999			
	99999 999			
	99999.99 h, decimal places in red			
	DC 999999.99 h / AC 99999.99 h decimal places in red	•	•	•
Connections	Stranded wire 150 mm			
	Fast-on connectors 2.8 × 0.8 mm			
	Connection terminals max. 2.5 mm <sup>2</sup>	•	•	•
	Solder pins 0.4 × 1.2 mm			
	Round pins 1.5 mm			
Operating voltage	10...30 VDC			•
	20...30 VAC		•	
	100...130 VAC			
	187...264 VAC	•		
Order no.		CMT072E1N0L0N00	CMT072G4N0L0N00	CMT072T5N0L0N00

## Applications

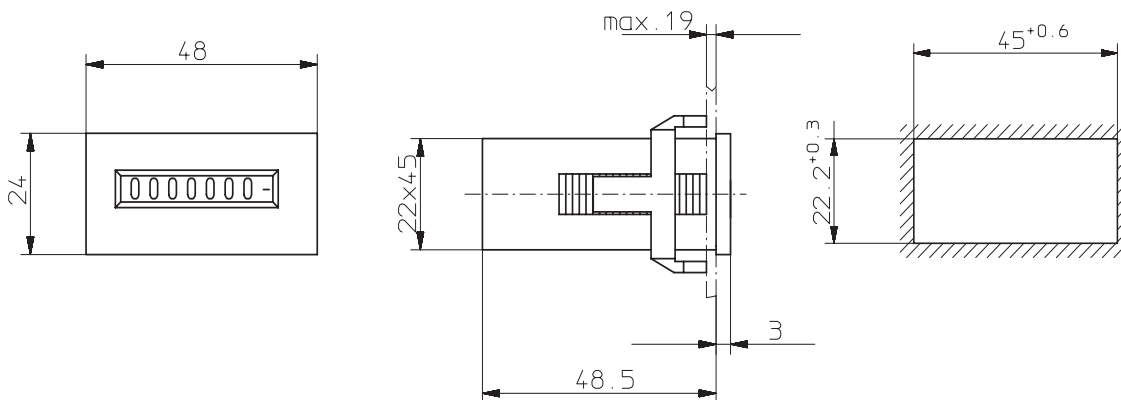
- General timing
- Maintenance intervals for measurement devices (artificial respiration, oxygen, dialysis)
- Small devices, display panels in vehicles

## Technical data

Counting capacity	AC: 99999.99 h, decimal places in red DC: 999999.99 h, decimal places in red
Accuracy	AC: Mains frequency + 30 ms, DC < 0.003% (for 24 h)
Display	Dials, white figures on black background, approx. 1.8 × 4 mm
Operating voltage	10...30 VDC, 20...30 VAC; 187...264 VAC, 50 Hz
Power consumption	10...30 VDC, approx. 500 mW 20...30 VAC, 50 Hz, approx. 0.3 VA 187...264 VAC, 50 Hz, approx. 1.2 VA
Duty cycle	100%
EMC/immunity to interference	DIN IEC 61 000-6-2
EMC/noise emission	DIN IEC 61 000-6-3
Protection class	IP 65 from front in mounted condition
Ambient temperature	-10 °C to +50 °C, no condensation
Mounting position	Any
Housing colour	Plastic PC (polycarbonate)
Dimensions	Front dimensions and switchboard section see dimension diagram
Connections	Screw terminal connection up to a maximum of 2.5 mm <sup>2</sup> Max. torque 0.8 Nm

## Dimension diagrams

CMT072, flush mountings, with tension spring and terminals for cable diameter up to a maximum of 2.5 mm<sup>2</sup>



## Scope of delivery

- hour meter
- clamping spring