

CMM152/362

Electromechanical preset counters

- 5-digit adding (CMM152 target or actual value) or 6-digit subtracting (CMM362 actual value) preset counter
- Reset manual or manual and electrical
- Potential-free change-over (micro switch) when reaching the preset
- Contact remains changed over until zero or reset performed
- 24 VDC, 115 VAC, 230 VAC

From left to right: CMM362, CMM152

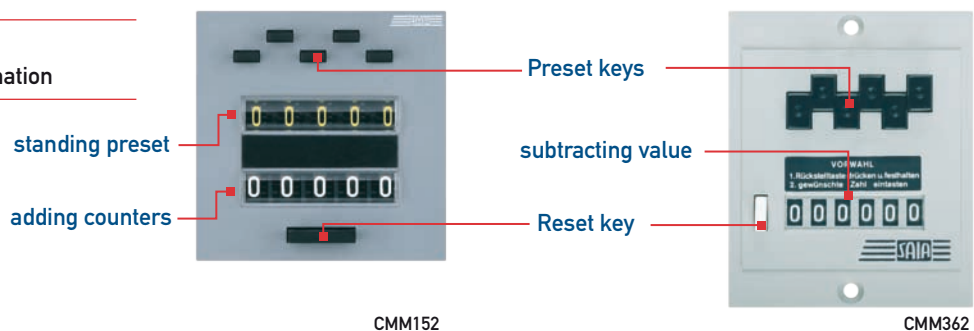


		CMM152		CMM362		
Mounting	Surface mounting for DIN rail					
	Flush mounting	•	•	•	•	•
	Machine solderable and washable, pluggable on circuit board					
Reset	Without reset					
	With reset	•	•			
	Manual and electrical reset					
	Down counting, manual and electrical reset			•	•	•
Counting capacity	99999	•	•			
	999999			•	•	•
	9999999					
	99999999					
	99999.99 h, decimal places in red					
	DC 999999.99 h / AC 99999.99 h decimal places in red					
Counting frequency	max. 18 pulses/s	•		•	•	
	max. 25 pulses/s		•			•
Connections	Stranded wire 150 mm					
	Fast-on connectors 2.8 × 0.8 mm			•	•	•
	Connection terminals 2 × 2.5 mm ²					
	Solder pins 0.4 × 1.2 mm					
	Round pins 1.5 mm	•	•			
Operating voltage	12 VDC					
	24 VDC		•			•
	24 VAC					
	115 VAC				•	
	230 VAC	•		•		
Order no.		CMM152E1S4N0 V00	CMM152M4S2N0 V00	CMM362E1S4N0 V00	CMM362D1S4N0 V00	CMM362M4S2N0 V00

Applications

- Quantity counting
- Quantity counting and automation

Settings



CMM152

CMM362

Technical data

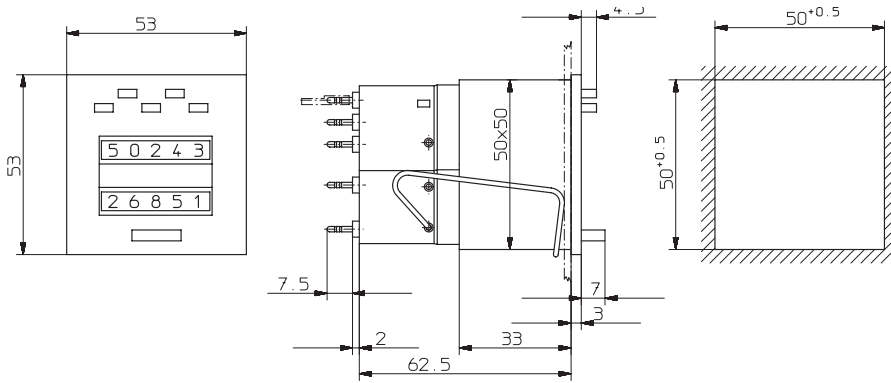
Counting capacity	CMM152	CMM362
	Manual reset 99 999	Manual and electrical reset 999 999
Counting direction	Up	subtracting
Counting frequency	Max. 25 pulses/s (DC) or 18 pulses/s (AC)	
Display	Dials, white figures on black background, approx. 4 mm (optical)	
Operating voltage	24 VDC \pm 10%, max. residual ripple 48%	
	115 VAC, 230 VAC, \pm 10%	
Power consumption	CMM152	CMM362
	3 W (DC) or 3 AC)	4 W (DC) or 4.5 AC)
Duty cycle	Counting: 100%; electrical reset (CMM362): 20%, max. 1 min	
Pulse generator	Contacts, electronic sensors NPN/PNP (AC)	
Service life	100 million. counting pulses	
Switching capacity	250 VAC / 2.0 A, 24 VDC / 2.0 A, 60 VDC / 0.7 A, 115 VDC / 0.4 A, 230 VDC / 0.2 A with resistive Load. Suitable spark quenching is required with inductive load, reducing the max. current to 60%.	
EMC/immunity to interference	DIN IEC 61 000-6-2	
EMC/noise emission	DIN IEC 61 000-6-3	
Protection class	Front IP 40	
Ambient temperature	CMM152	CMM362
	DC -10 °C to +60 °C AC -10 °C to +55 °C, no condensation	-10 °C to +45 °C, no condensation
Mounting position	Any	
Housing colour	Makrolon, similar to RAL 7001	
Dimensions	Front dimensions and switchboard section see dimension diagram	
Connections	CMM152	CMM362
	Round pins 1.5 mm diameter	Fast-on connectors 2.8 \times 0.8 mm

Scope of delivery

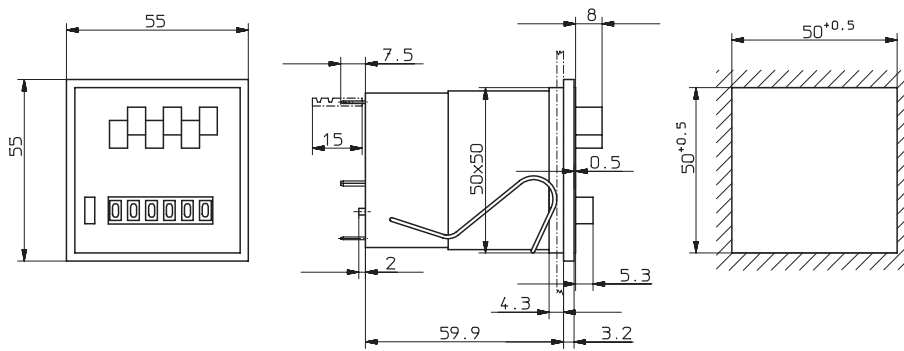
- counters
- tension spring

Dimension diagrams

CMM152, flush mounting, manual reset, round pins 1.5 mm

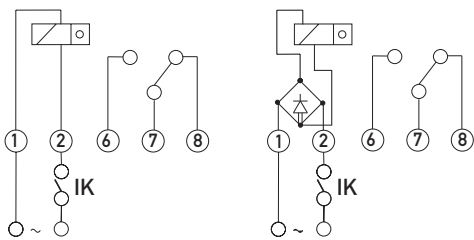


CMM362, flush mounting, manual reset and electrical reset, flat pin 0.8 x 2.8 mm



Connection diagram

manual reset



electrical reset:

