

# CMC072/079

## Electromechanical hour meters

- 7-digit micro time meter, high shock resistance for flush mounting or DIN rail
- Low power consumption, small size, optically large figures
- 4.5...35 VDC, 110...130 VAC, 187...264 VAC



From left to right: CMC072, CMC079

		CMC072		CMC079	
Mounting	Surface mounting for DIN rail			•	•
	Flush mounting	•			
	Machine solderable and washable, pluggable on circuit board				
Reset	Without reset	•	•	•	•
	With reset				
	Manual and electrical reset				
	Down counting, manual and electrical reset				
Counting capacity	99 999				
	999 999				
	9 999 999				
	99 999 999				
	999 999.99 h, decimal places in red DC 999 999.99 h / AC 99 999.99 h decimal places in red	•	•	•	•
Connections	Stranded wire 150 mm	•			
	Fast-on connectors 2.8 × 0.8 mm				
	Connection terminals 2 × 2.5 mm <sup>2</sup>			•	•
	Solder pins 0.4 × 1.2 mm				
	Round pins 1.5 mm				
Operating voltage	4.5...35 VDC	•	•		
	100...130 VAC				•
	187...264 VAC			•	
Order no.		CMC072M4N0L0N00	CMC079M4N0L0N00	CMC079E1N0L0N00	CMC079D1N0L0N00

## Applications

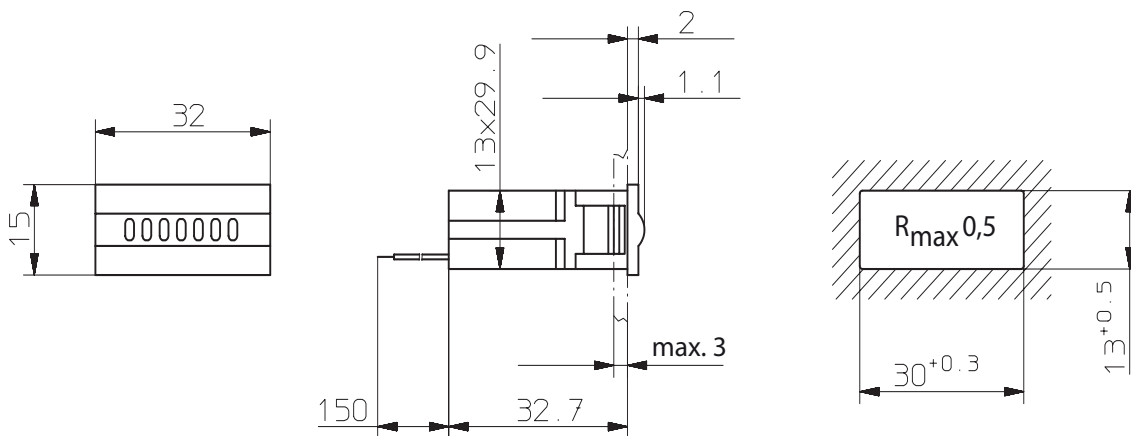
- General timing
- Applications in appliance technology (e. g. medical devices) and in industrial applications
- Flush mounting in control cabinets

## Technical data

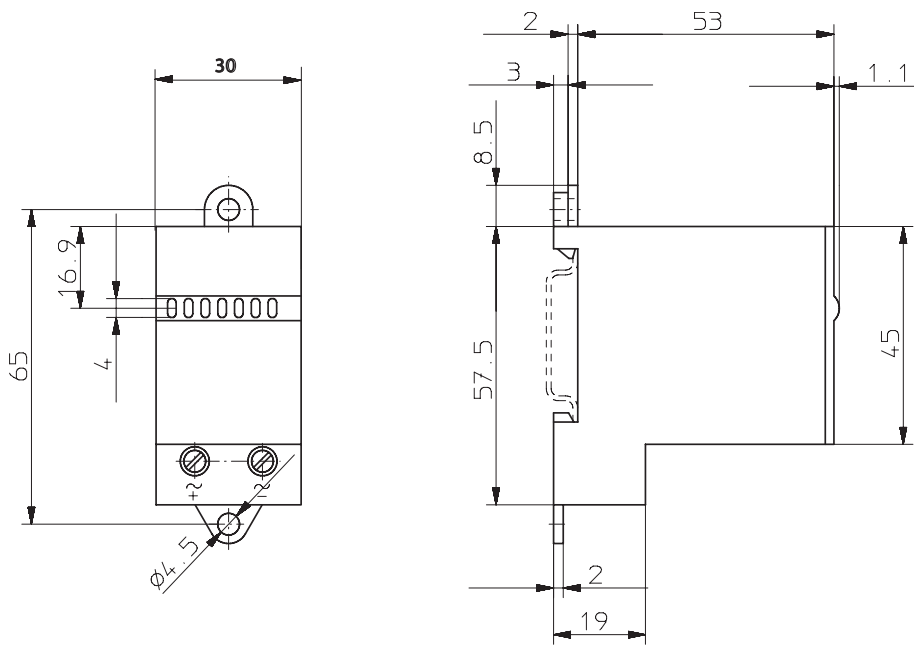
Counting capacity	99 999.99 h, decimal places in red	
Accuracy	22.5 ppm at 25 °C	
Display	Dials, white figures on black background, approx. 1.2 × 4 mm	
Operating voltage	4.5...35 VDC, residual ripple < 1% 100...130 VAC, 187...264 VAC	
Power consumption	<b>CMC072 / 079</b>	<b>CMC079</b>
	At $U_B = 5$ VDC typ. 82 mW	5 VDC, 125 mW
	At $U_B = 12$ VDC typ. 135 mW	
	At $U_B = 24$ VDC typ. 135 mW, max. 170 mW (only every 36 s with a pulse length of 32 ms)	
Duty cycle	100%	
EMC/immunity to interference	DIN IEC 61 000-6-2	
EMC/noise emission	DIN IEC 61 000-6-3	
Protection class	Front IP 40 (CMC079), front IP65 (CMC072)	
Ambient temperature	<b>CMC072</b>	<b>CMC079</b>
	DC -10 °C to +60 °C, no condensation	DC -10 °C to +60 °C, no condensation AC -10 °C to +50 °C, no condensation
Mounting position	Any	
Housing colour	Plastic PC (polycarbonate)	
Dimensions	Front dimensions and switchboard section see dimension diagram	
Connections	<b>CMC072</b>	<b>CMC079</b>
	Stranded wire AWG 22, approx. 150 mm long (red + / black -)	Screw terminal connection up to a maximum of 2.5 mm <sup>2</sup> max. torque 0.8 Nm

## Dimension diagrams

CMC072, flush mounting with mould stop springs. Connection via stranded wire 150 mm



CMC079, surface DIN and rail mounting, Terminals for cable diameter up to a maximum of 2.5 mm<sup>2</sup>



### Scope of delivery

- hour meter