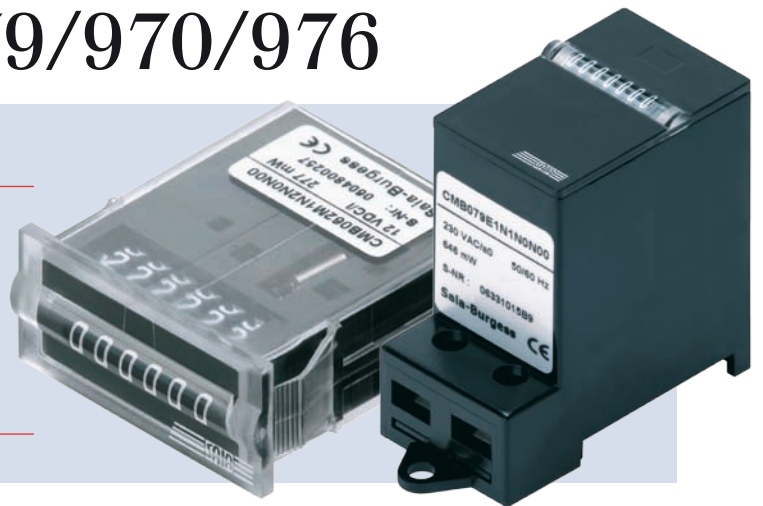


CMB062/072/079/970/976

Electromechanical display counters

- 6 and 7-digit micro totalising counter for flush mounting, DIN rail or plug-in on circuit board
- High shock resistance
- Low power consumption, suitable for battery operation
- Very compact construction, optically large figures
- Machine solderable and washable (CMB970/976)
- 12 VDC, 24 VDC, 115 VAC, 0 VAC



From left to right: CMB062, CMB079

Mounting	Surface mounting for DIN rail					•	•	•		
	Flush mounting	•	•	•	•					
	Machine solderable and washable plug-in on printed circuit board (surface mounting see dimension diagram)								•	•
Reset	Without reset	•	•	•	•	•	•	•	•	•
	With reset									
	Manual and electrical reset									
	Down counting, manual and electrical reset									
Counting capacity	99999									
	999999	•								
	9999999		•	•	•	•	•	•	•	•
	99999999									
	99999.99 h, decimal places in red DC 999999.99 h / AC 99999.99 h, decimal places in red									
Counting frequency	DC or AC (all voltages) 10 pulses/s		•	•	•	•	•	•		•
	DC 25 pulses/s	•						•	•	
Connections	Stranded wire 150 mm	•	•	•	•					
	Fast-on connectors 2.8 × 0.8 mm									
	Connection terminals 2 × 2.5 mm ²					•	•	•		
	Solder pins 0.4 × 1.2 mm								•	•
	Round pins 1.5 mm									
Operating voltage	12 VDC	•		•						•
	24 VDC				•			•	•	
	110...120 VAC					•				
	220...240 VAC		•				•			
Order no.		CMB062M1N2N0N00	CMB072E1N1N0N00	CMB072M1N1N0N00	CMB072M4N1N0N00	CMB079D1N1N0N00	CMB079E1N1N0N00	CMB079M4N2N0N00	CMB970M4N2N0N00	CMB976M1N1N0N00

Applications

- General quantity counting, alarm systems, coin machines, vending and slot machines, photocopiers, medical technology, washer systems

Technical data

Counting capacity	CMB062 999 999	CMB072 / 079 / 970 / 976 9 999 999	
Counting direction	Up		
Counting frequency	Max. 10 and 25 pulses/s (see ordering table)		
Display	Dials, white figures on black background, approx. 1.2 × 4 mm (7-digit, optical); 1.7 × 4 mm (6-digit, optical)		
Operating voltage	12 VDC, 24 VDC ± 10%, max. residual ripple 48% 115 VAC, 0 VAC,		
Power consumption	250 mW (DC) or 0.8 VA (AC)		
Duty cycle	100%		
Pulse generator	Contacts, electronic sensors NPN/PNP (AC)		
Service life	Min. 50 million. counting pulses		
EMC/immunity to interference	DIN IEC 61 000-6-2		
EMC/noise emission	DIN IEC 61 000-6-3		
Protection class	CMB062 / 072 Front IP 65	CMB079 Front IP 50	CMB970 / 976 Front IP 65, complete Machine solderable
Ambient temperature	-10 °C to +60 °C, no condensation		
Mounting position	Any		
Housing colour	Plastic transparent PC (polycarbonate)		
Dimensions	Front dimensions and switchboard section see dimension diagram		
Connections	CMB062 / 072 Stranded wire AWG 22, approx. 150 mm long	CMB079 Terminals for cable diameter of up to max. 2.5 mm ²	CMB970 / 976 Solder pins 0.4 × 1.2 mm



CMB062 / 072



CMB079



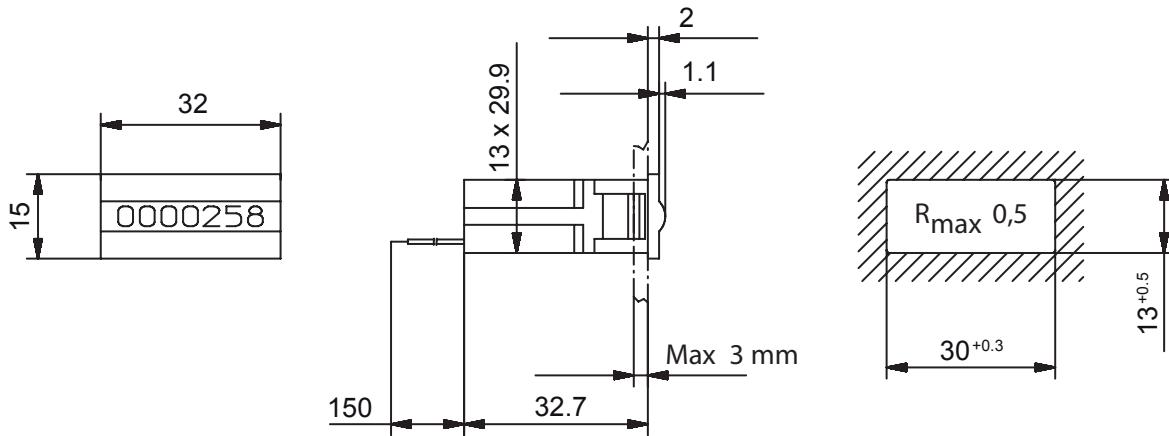
CMB970



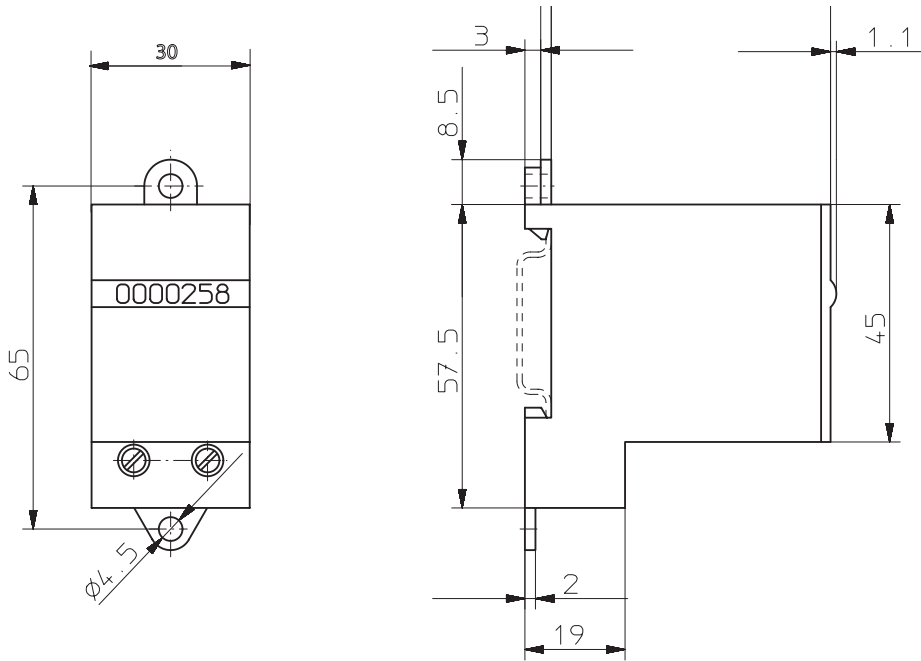
CMB976

Dimension diagrams

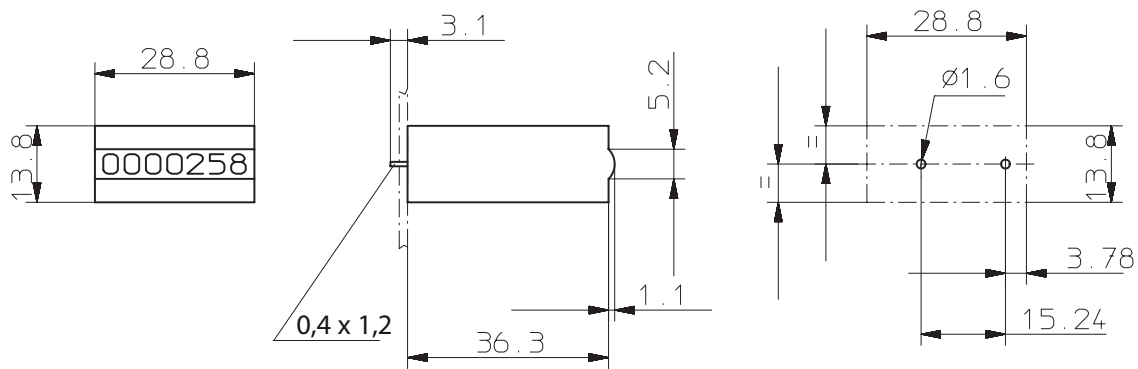
CMB062, CMB072, flush mounting, mounting with mould stop springs, connection via stranded wire 150 mm



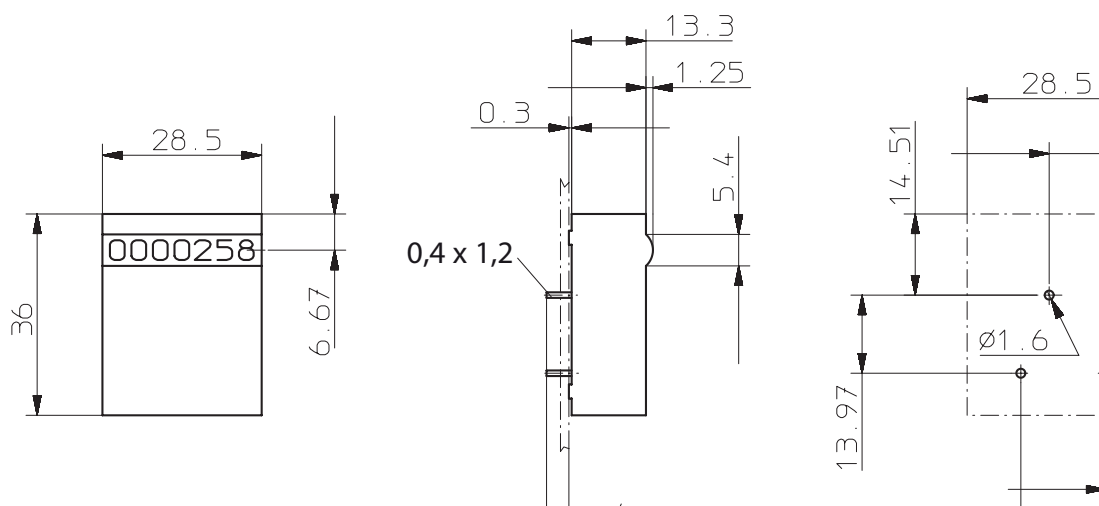
CMB079, surface mounting and rail mounting, terminals for cable diameter up to a maximum of 2.5 mm²



CMB970, surface mounting, up right on circuit board, machine solderable and washable



CMB976, surface mounting, flat on circuit board, machine solderable and washable



Scope of delivery

- display counter