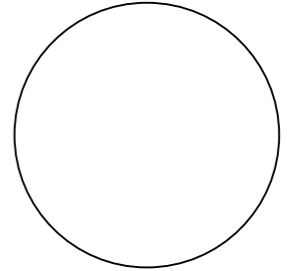
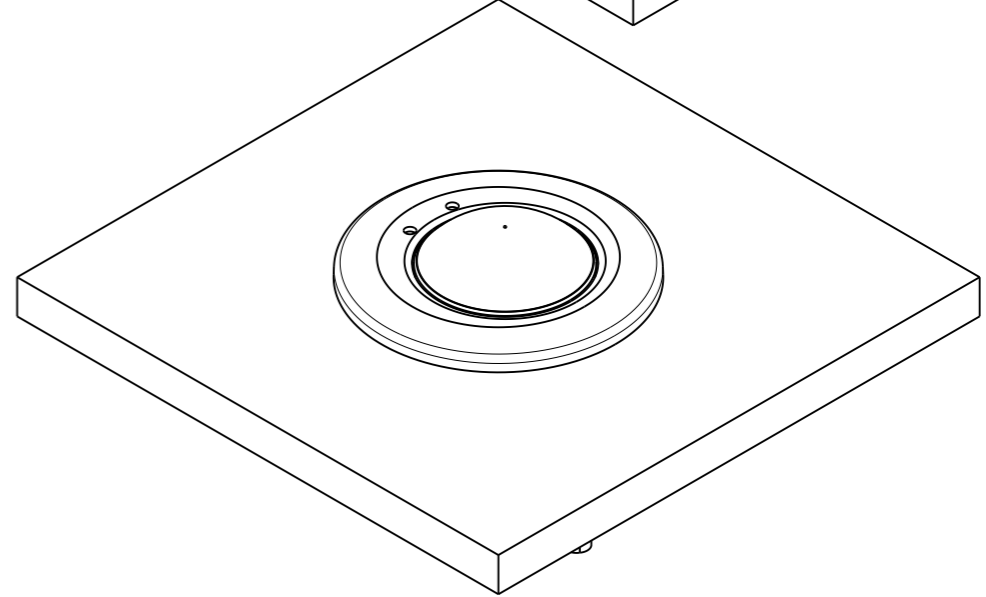
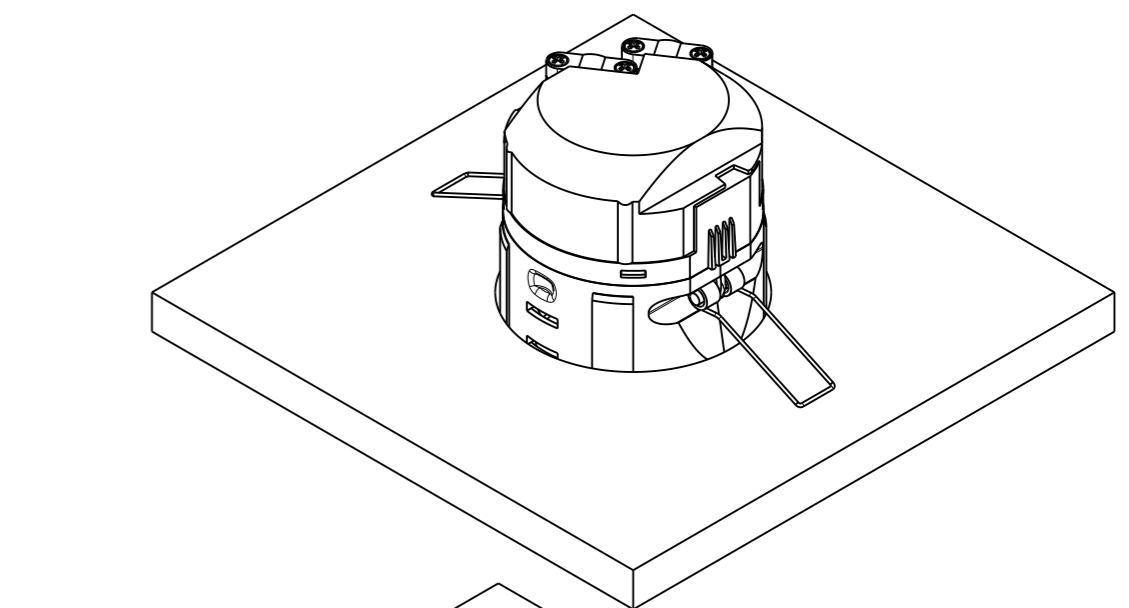
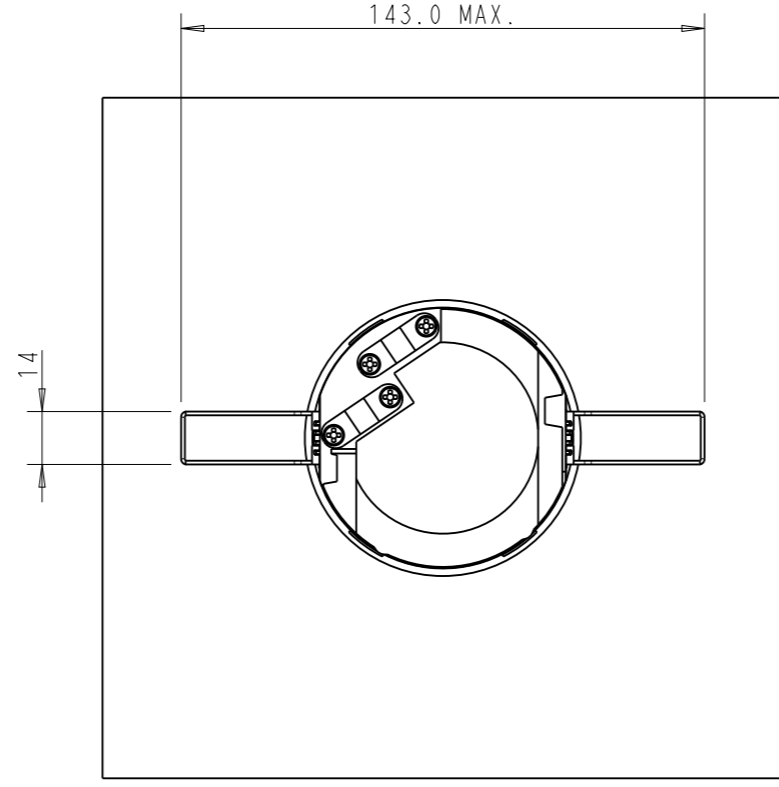
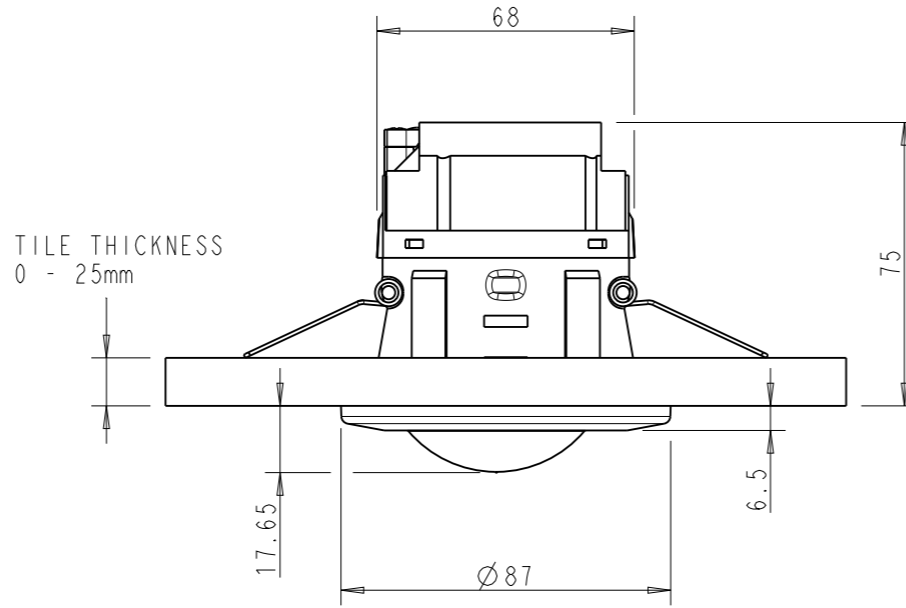


THIS DRAWING REFERS TO THE FOLLOWING PRODUCTS:-

- LS3000 - ALL 'F' (FLUSH-MOUNT) VARIANTS
- LS3100 - ALL 'F' (FLUSH-MOUNT) VARIANTS
- LS3200 - ALL 'F' (FLUSH-MOUNT) VARIANTS
- LS3260 - ALL 'F' (FLUSH-MOUNT) VARIANTS
- LS3270 - ALL 'F' (FLUSH-MOUNT) VARIANTS
- LS3340 - ALL 'F' (FLUSH-MOUNT) VARIANTS
- LS3360 - ALL 'F' (FLUSH-MOUNT) VARIANTS



HOLE DIAMETER:-  
 STANDARD PRODUCTS -  $72.0^{+3.0}_0$   
 IP55 PRODUCT -  $72.0^{+1.0}_0$

MATERIALS:-

- ALL MAIN HOUSING PARTS - UL94 V-2, 960° GLOW-WIRE RATED POLYCARBONATE
- BEZEL COLOUR - WHITE, RAL9010
- SHROUD - CLEAR
- REAR HOUSING PARTS - GREY, RAL7016
- LENS - NATURAL HDPE
- SPRINGS - HS3 SPRING STEEL

THIS PRODUCT MUST BE PRODUCED USING ROHS COMPLIANT MATERIALS AND PROCESSES PER HONEYWELL SPECIFICATION ES50040083

MODIFICATION TEXT:  PROTECTED BY DIN ISO 16016 FIRST ANGLE PROJECTION  UNITS <b>mm</b>	 NOVAR ED&S ARLINGTON BUSINESS PARK BRACKNELL BERKS RG12 1EB	DIMENSIONS AND TOLERANCES PER BRITISH STANDARDS AND ECC ENGINEERING STANDARDS	Honeywell ENVIRONMENTAL & COMBUSTION CONTROLS			
	HONEYWELL CONFIDENTIAL AND PROPRIETARY	AS SHOWN	TITLE OUTLINE DRAWING			
	GENERAL TOLERANCES: LINEAR $\pm 0.15$ HOLE DIA $\pm 0.08$ RADII $\pm 0.05$ ANGULAR $\pm 0.50$	FINISH	SUB TITLE FLUSH FIXED-HEAD SENSORS			
	DRAWN BY: Harrison, John Robert	DRAWN BY DATE: 24-Mar-2015	PACKAGING SPEC. No: PERMIT No: IMPRESSIONS: LIFECYCLE STATE: In Work	DRAWING No. <div style="font-size: 24px; font-weight: bold; text-align: center;">32308249</div>	ECO No. ECO DATE	REV <div style="font-size: 24px; font-weight: bold; text-align: center;">01</div>
DRAWN BY: Harrison, John Robert		DRAWN BY DATE: 24-Mar-2015	PROJ NO. 714147	PAPER SIZE A3	SCALE 1:2	SHEET 1 OF 1