

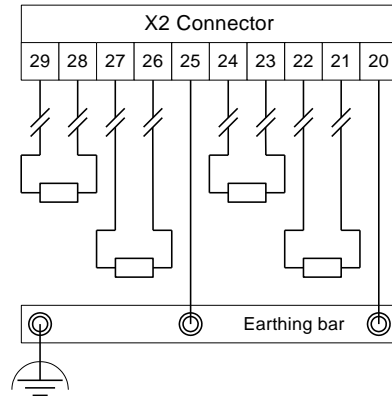
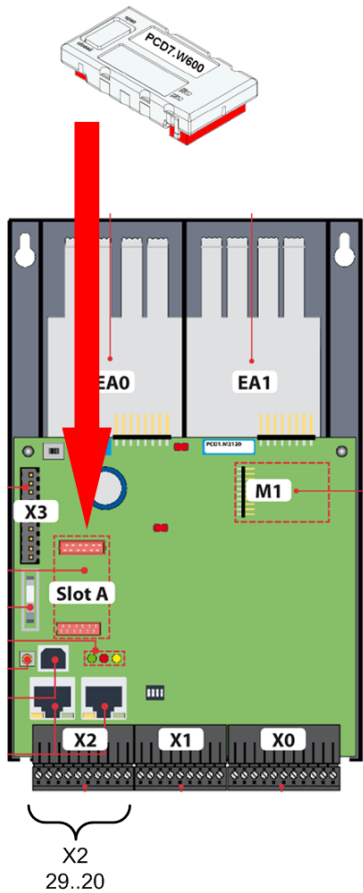
PCD7.W600 analogue output module for PCD1 CPU

Caution:



- Only compatible with PCD1.M2xxx, PCD1.M0160E0, PCD1.M2110R1
- PCD Firmware Version 1.23.39 or higher
- PG5 Version 2.1.300 or higher

Connections:



X2 Connector	
20	PGND
21	A0+
22	A0-
23	A1+
24	A1-
25	PGND
26	A2+
27	A2-
28	A3+
29	A3-

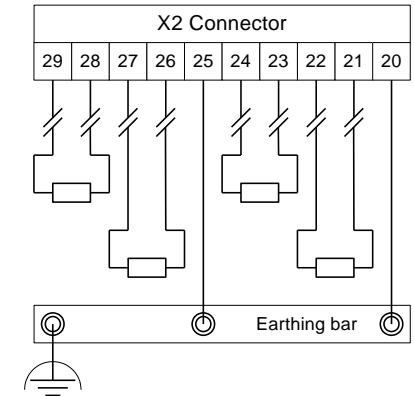
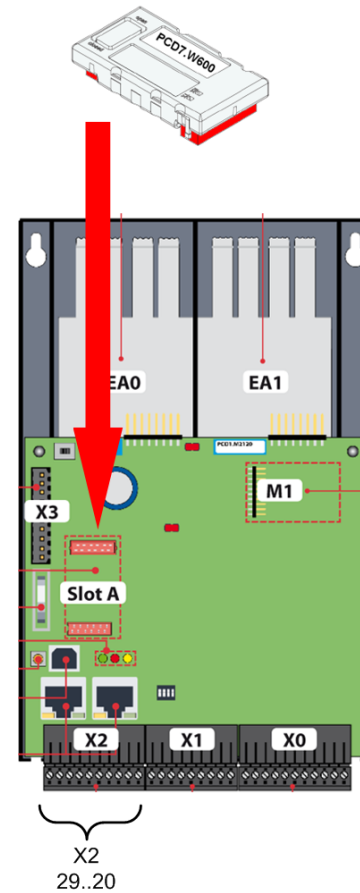
PCD7.W600 analogue output module for PCD1 CPU

Caution:



- Only compatible with PCD1.M2xxx, PCD1.M0160E0, PCD1.M2110R1
- PCD Firmware Version 1.23.39 or higher
- PG5 Version 2.1.300 or higher

Connections:



X2 Connector	
20	PGND
21	A0+
22	A0-
23	A1+
24	A1-
25	PGND
26	A2+
27	A2-
28	A3+
29	A3-