

PCD3.E166

**16 digital inputs, 24 VDC, 0,2 ms,
source- or sinkoperation**

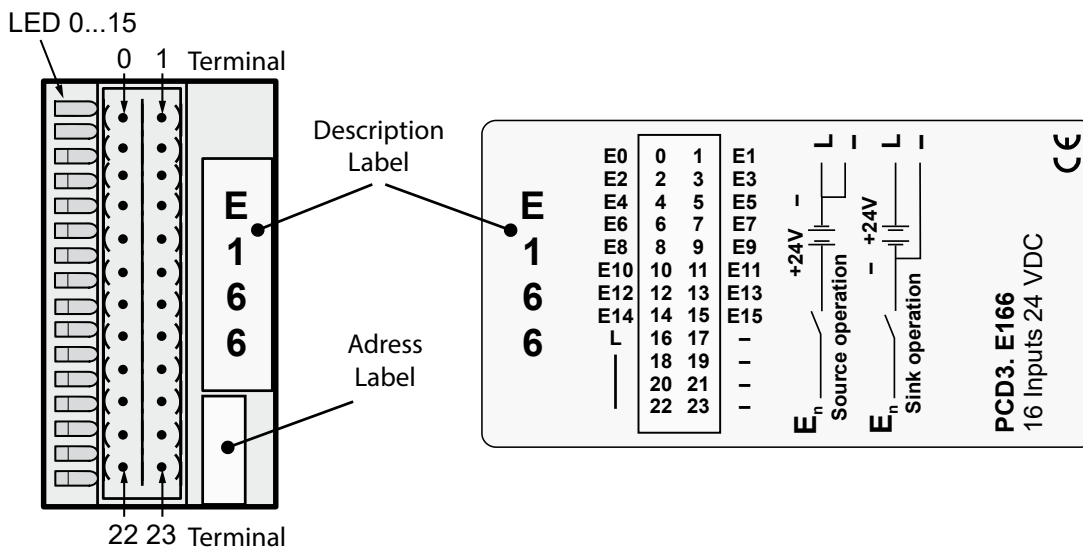
Low-cost input module for source or sink operation with 16 inputs, electrically connected.
Suitable for most electronic and electromechanical switching elements at 24 VDC.



PCD3.E166

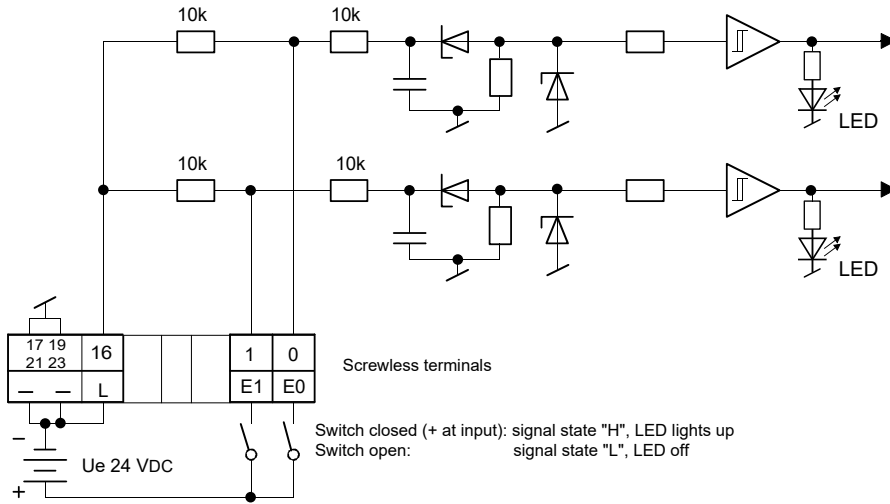
Technical data	
Number of inputs	16 electrically connected, source or sink operation
Input voltage	24 VDC (15 ... 30 VDC) smoothed or pulsed
Input current:	4 mA per input at 24 VDC
Input delay	typically 0,2 ms
Resistance to interference acc. to IEC 801-4	2 kV under capacitive coupling (whole trunk group)
Internal current consumption (from +5 V bus)	1...10 mA typically 8 mA
Internal current consumption (from V+ bus)	0 mA
External current consumption	max. 64 mA (all inputs=1) at 24 VDC
Terminals	Pluggable 24-pole spring terminal block (4 405 4956 0), for Ø up to 1 mm²

LEDs and connection terminals

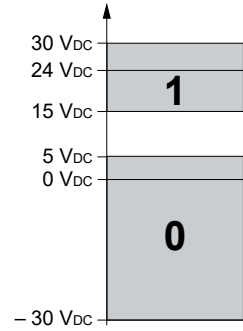


Input circuits and terminal designation

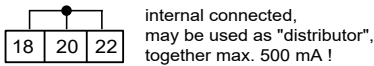
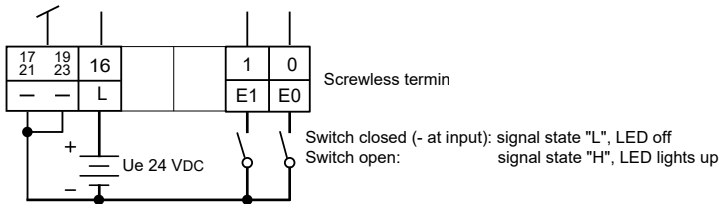
Source operation (positive logic):



Input level



Sink operation (negative logic):



Watchdog: This module can interact with the watchdog, if it is used on base address 240. In this case, the last input with address 255 cannot be used.



I/O modules and I/O terminal blocks may only be plugged in and removed when the Saia PCD® and the external +24 V are disconnected from the power supply.



Further information can be found in the document:
 "27-600 ENG Manual I/O-Modules for PCD1 / PCD2 and PCD3"

**ATTENTION**

These devices must only be installed by a professional electrician, otherwise there is the risk of fire or the risk of an electric shock.

**WARNING**

Product is not intended to be used in safety critical applications, using it in safety critical applications is unsafe.

**WARNING - Safety**

The unit is not suitable for the explosion-proof areas and the areas of use excluded in EN61010 Part 1.

**WARNING - Safety**

Check compliance with nominal voltage before commissioning the device (see type label).
Check that connection cables are free from damage and that, when wiring up the device, they are not connected to voltage.
Do not use a damaged device!

**NOTE**

In order to avoid moisture in the device due to condensate build-up, acclimatise the device at room temperature for about half an hour before connecting.

**CLEANING**

The device can be cleaned in dead state with a dry cloth or cloth soaked in soap solution.
Do not use caustic or solvent-containing substances for cleaning.

**MAINTENANCE**

These devices are maintenance-free. If damaged during, no repairs should be undertaken by the user.

**GUARANTEE**

Opening the module invalidates the guarantee.

Observe this instructions (data sheet) and keep them in a safe place.
Pass on the instructions (data sheet) to any future user.



WEEE Directive 2012/19/EC Waste Electrical and Electronic Equipment directive
The product should not be disposed of with other household waste. Check for the nearest authorized collection centers or authorized recyclers. The correct disposal of end-of-life equipment will help prevent potential negative consequences for the environment and human health.



EAC Mark of Conformity for Machinery Exports to Russia, Kazakhstan or Belarus.



PCD3.E166



4 405 4956 0

Order details

Type	Short description	Description	Weight
PCD3.E166	Digital input module, 16 inputs, 24 VDC	Digital input module, 16 inputs, 24 VDC, source and sink operation, 0,2 ms input delay, (connector type C included)	100 g

Order details accessories

Type	Short description	Description	Weight
4 405 4956 0	Plug-in, type C	Plug-in I/O spring terminal block, 2 × 12-pole up to 1.0 mm ² , labelled 0 to 23, for modules with 16 I/Os or relay module PCD3.A251, connector type "C"	15 g