

PCD3.E116

8 digital inputs, 5 VDC, 0.2 ms, source- and sinkoperation

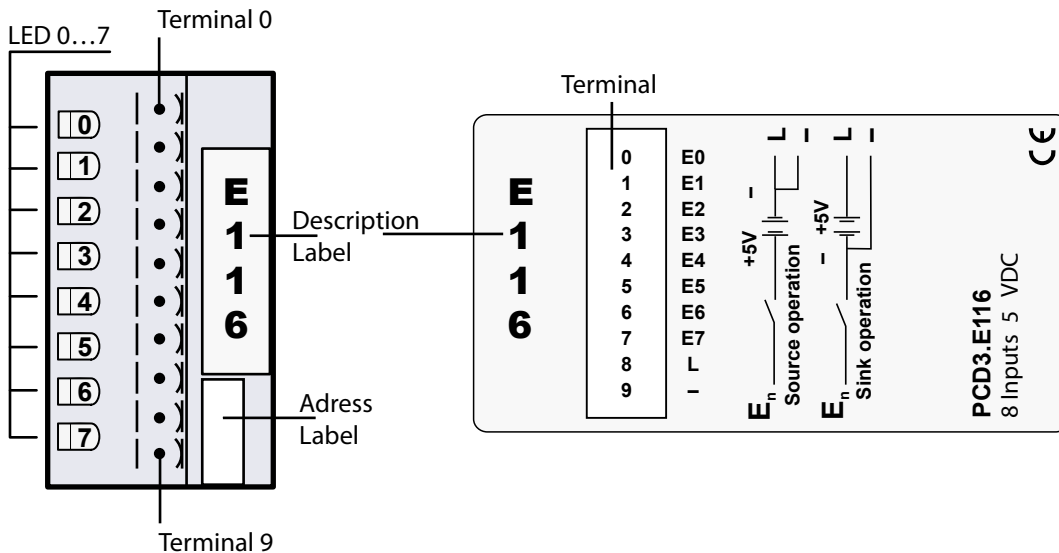
Low-cost input module for source or sink operation with 8 inputs, electrically connected. Suitable for most electronic and electromechanical switching elements at 5 VDC. Positiv or negativ logic.

Wiring possibility as positive or negative logic of the inputs.



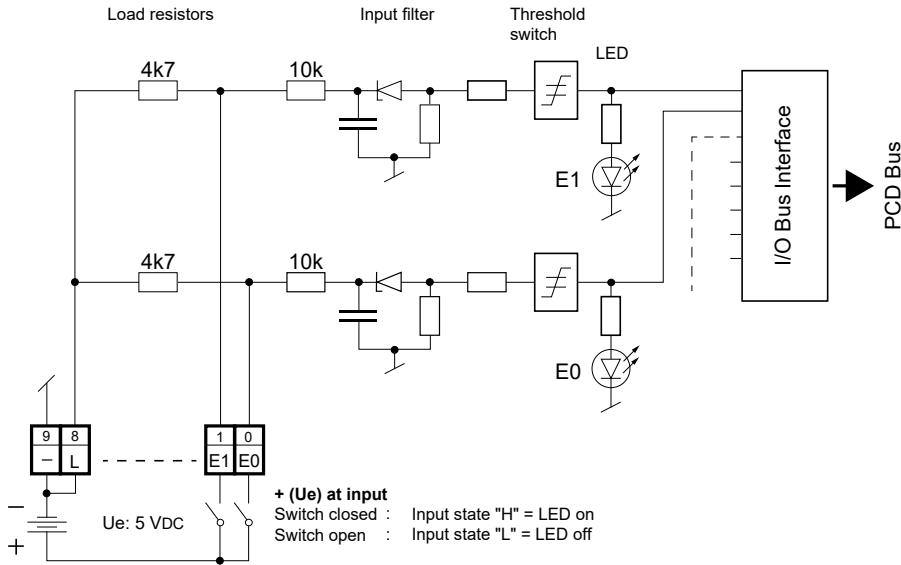
Technical data	
Number of inputs	8, electrically connected source or sink operation
Input voltage	5 VDC (1 ... 7 VDC) smoothed, max. 10 % ripple
Input current:	6 mA at 5 VDC
Input delay	typically 0.2 ms
Resistance to interference acc. to IEC 801-4	2 kV under capacitive coupling (whole trunk group)
Internal current consumption (from +5 V bus)	1 ... 24 mA, typically 12 mA
Internal current consumption (from V+ bus)	0 mA
External current consumption	max. 48 mA (all inputs = 1) from 5 VDC
Terminals	Plug-in I/O spring terminal block, 10-pole up to 2.5 mm ² , labelled 0 to 9, connector type A (4 405 4954 0)

LEDs and connection terminals

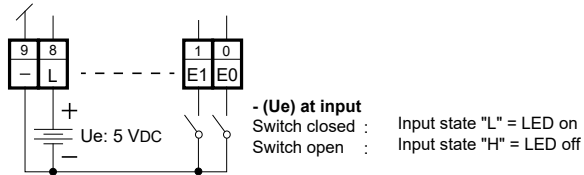


Output circuits and terminal designation

Source operation (positive logic):



Sink operation (negative logic):



! Watchdog: This module can be used on all base addresses; there is no interaction with the watchdog on the CPUs. For details, see document "27-600 Manual I/O-Modules for PCD1 / PCD2 and PCD3", chapter "A4 Hardware Watchdog". It describes the correct use of the watchdog in conjunction with PCD components.

! I/O modules and I/O terminal blocks may only be plugged in and removed when the Saia PCD® and the external +24 V are disconnected from the power supply.

i Further information can be found in the document "27-600 Manual I/O-Modules for PCD1 / PCD2 and PCD3"

Ordering information

Type	Short description	Description	Weight
PCD3.E116	8 digital inputs module, 5 VDC, 0.2 ms	Digital input module, 8 inputs, 5 VDC, source and sink operation, 0.2 ms input delay, connection with pluggable spring terminals, plug-in type A, (4 405 4954 0) included	80 g

Ordering information equipment

Type	Short description	Description	Weight
4 405 4954 0	Plug-in, type A	Plug-in I/O spring terminal block, 10-pole up to 2.5 mm ² , labelled 0 to 9, connector type A	15 g

Saia-Burgess Controls AG

Bahnhofstrasse 18 | 3280 Murten, Switzerland
 T +41 26 580 30 00 | F +41 26 580 34 99
 www.saia-pcd.com

support@saia-pcd.com | www.sbc-support.com