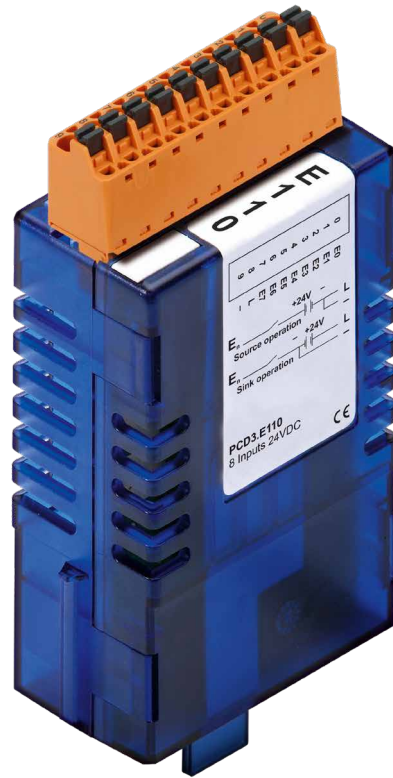


PCD3.E110

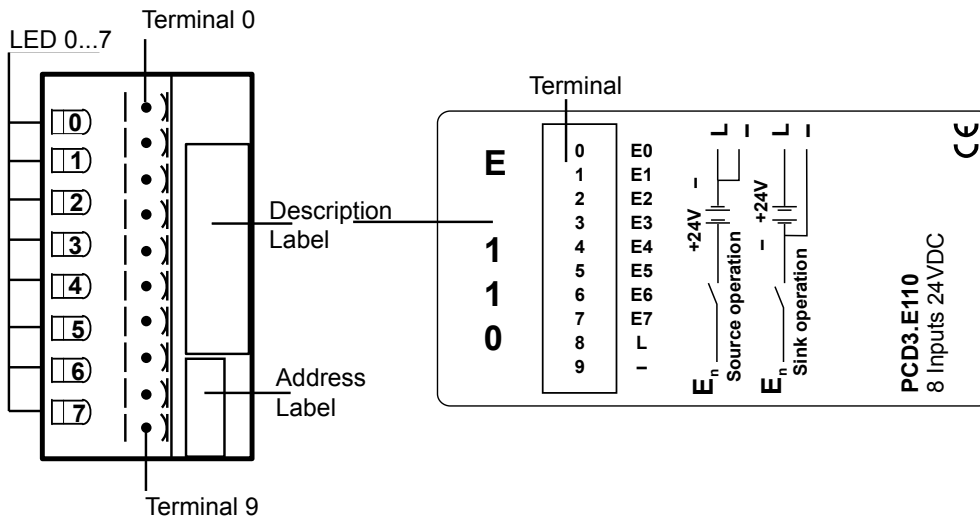
8 digital inputs, 24 VDC, 8 ms, source- and sinkoperation

Low-cost input module for source or sink operation with 8 inputs, electrically connected. Suitable for most electronic and electromechanical switching elements at 24 VDC.



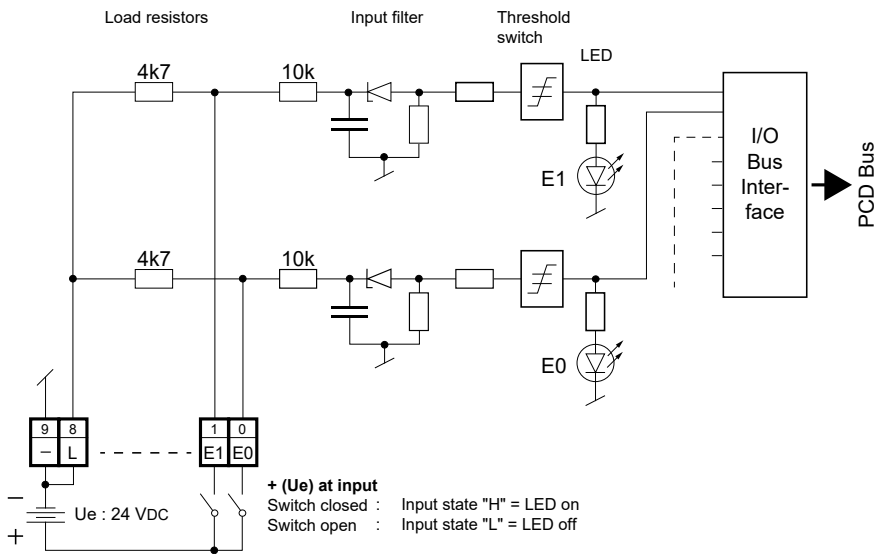
Technical data	
Number of inputs	8, electrically connected source or sink operation
Input voltage	24 VDC (15... 30 VDC) smoothed or pulsed
Input current:	6 mA at 24 VDC
Input delay	typically 8 ms
Resistance to interference acc. to IEC 801-4	2 kV under capacitive coupling (whole trunk group)
Internal current consumption (from +5 V bus)	1... 24 mA, typically 12 mA
Internal current consumption (from V+ bus)	0 mA
External current consumption	max. 48 mA (all inputs = 1) from 24 VDC
Terminals	Plug-in I/O spring terminal block, 10-pole up to 2.5 mm ² , labelled 0 to 9, connector type A (4 405 4954 0)

LEDs and connection terminals

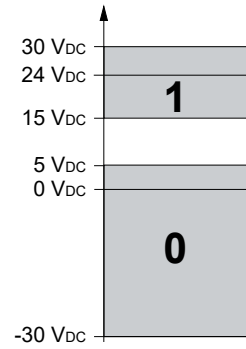


Output circuits and terminal designation

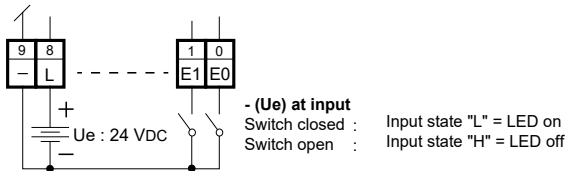
Source operation (positive logic):



Input level



Sink operation (negative logic):



Watchdog: This module can be used on all base addresses; there is no interaction with the watchdog on the CPUs. For details, see document "27-600 Manual I/O-Modules for PCD1 / PCD2 and PCD3", chapter "A4 Hardware Watchdog". It describes the correct use of the watchdog in conjunction with PCD components.



Further information can be found in the document "27-600 Manual I/O-Modules for PCD1 / PCD2 and PCD3"



I/O modules and I/O terminal blocks may only be plugged in and removed when the Saia PCD® and the external +24 V are disconnected from the power supply.

Ordering information

Type	Short description	Description	Weight
PCD3.E110	8 digital inputs module, 24 VDC, 8 ms	Digital input module, 8 inputs, 24 VDC, source and sink operation, 8 ms input delay, connection with pluggable spring terminals, plug-in type A, (4 405 4954 0) included	80 g

Ordering information equipment

Type	Short description	Description	Weight
4 405 4954 0	Plug-in, type A	Plug-in I/O spring terminal block, 10-pole up to 2.5 mm ² , labelled 0 to 9, connector type A	15 g

Saia-Burgess Controls AG

Bahnhofstrasse 18 | 3280 Murten, Switzerland
 T +41 26 580 30 00 | F +41 26 580 34 99
 www.saia-pcd.com

support@saia-pcd.com | www.sbc-support.com