

PCD3.A410

8 digital outputs, 0.5 A for each, electrically isolated

Output module, electrically isolated from the CPU, with 8 MOSFET transistor outputs, without short-circuit protection. Voltage range 1 ... 32 VDC.

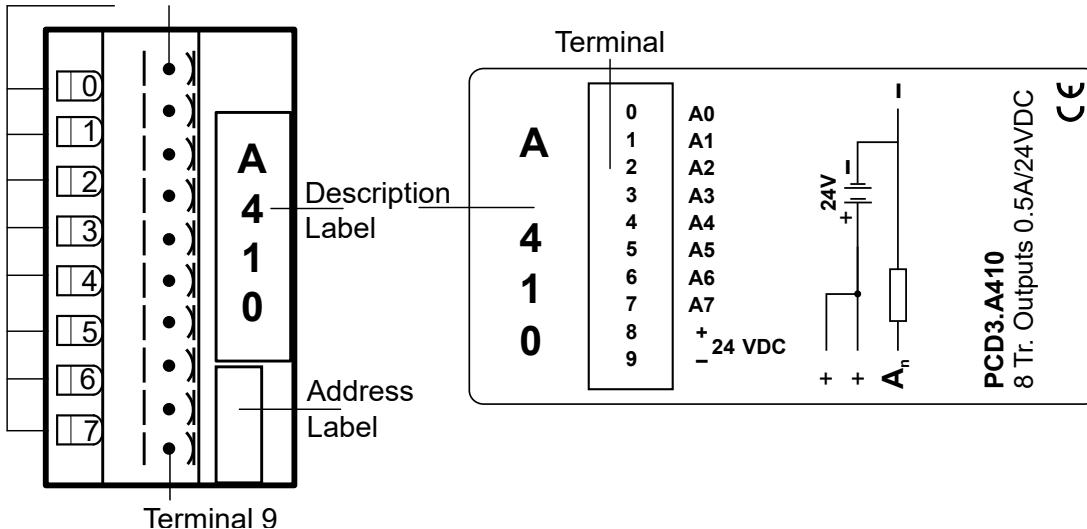
Technical data	
Number of outputs	8, electrically isolated
Output current	5 mA... 500 mA (leakage current max. 0,1 mA) Within the voltage range 5 ... 24 VDC, the load resistance should be at least 48 Ω
Total current per module	4 A on 100% duty cycle
Operating mode	Source operation (positive switching)
Voltage range	5 ... 32 VDC, smoothed 10 ... 25 VDC, pulsed
Voltage drop	≤ 0.4 V at 0.5 A
Output delay	Switch-on delay typically 10 μs Switch-off delay typically 50 μs (ohmic load 5 mA... 500 mA), longer with inductive load, because of the protective diode.
Resistance to interference acc. to IEC 801-4	4 kV under direct coupling 2 kV under capacitive coupling (whole trunk group)
Isolation voltage	1000 VAC, 1 min
Internal current consumption (from +5 V bus)	1 ... 24 mA, typically 15 mA
Internal current consumption (from V+ bus)	0 mA
External current consumption	Load current
Terminals	Plug-in I/O spring terminal block, 10-pole up to 2.5 mm ² , labelled 0 to 9, connector type A (4 405 4954 0)



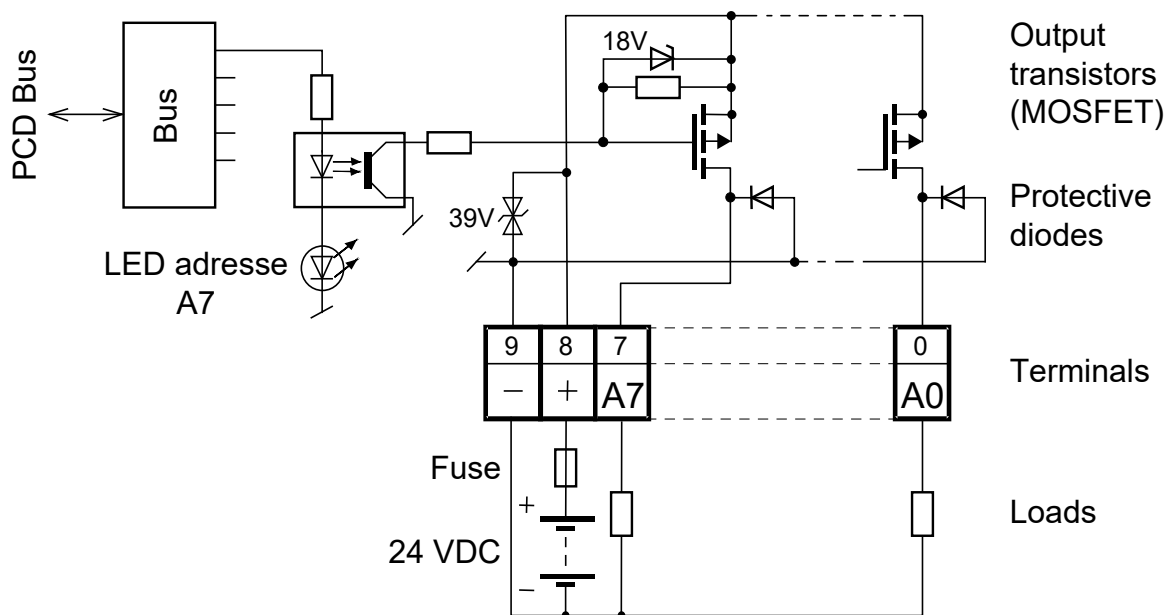
PCD3.A410

LEDs and connection terminals

LED 0...7 Terminal 0



Output circuits and terminal designation



	<p>Fuse: It is recommended that each module should be separately protected with a fast-blow (S) fuse of max. 4 A.</p>
	<p>Watchdog: This module can be used on all base addresses; there is no interaction with the watchdog on the CPUs.</p>
	<p>I/O modules and I/O terminal blocks may only be plugged in and removed when the Saia PCD® and the external +24 V are disconnected from the power supply.</p>

**ATTENTION**

These devices must only be installed by a professional electrician, otherwise there is the risk of fire or the risk of an electric shock.

**WARNING**

Product is not intended to be used in safety critical applications, using it in safety critical applications is unsafe.

**WARNING - Safety**

The unit is not suitable for the explosion-proof areas and the areas of use excluded in EN61010 Part 1.

**WARNING - Safety**

Check compliance with nominal voltage before commissioning the device (see type label).
Check that connection cables are free from damage and that, when wiring up the device, they are not connected to voltage.
Do not use a damaged device!

**NOTE**

In order to avoid moisture in the device due to condensate build-up, acclimatise the device at room temperature for about half an hour before connecting.

**CLEANING**

The device can be cleaned in dead state with a dry cloth or cloth soaked in soap solution.
Do not use caustic or solvent-containing substances for cleaning.

**MAINTENANCE**

These devices are maintenance-free. If damaged during, no repairs should be undertaken by the user.

**GUARANTEE**

Opening the module invalidates the guarantee.

Observe this instructions (data sheet) and keep them in a safe place.
Pass on the instructions (data sheet) to any future user.



WEEE Directive 2012/19/EC Waste Electrical and Electronic Equipment directive
The product should not be disposed of with other household waste. Check for the nearest authorized collection centers or authorized recyclers. The correct disposal of end-of-life equipment will help prevent potential negative consequences for the environment and human health.



EAC Mark of Conformity for Machinery Exports to Russia, Kazakhstan or Belarus.



PCD3.A410



4 405 4954 0

Order details

Type	Short description	Description	Weight
PCD3.A410	8 digital outputs for 0.5 A each, electrically isolated	Digital output module, 8 outputs, transistors, electrically isolated, 1 ... 32 VDC / 0.5 A, connection with pluggable spring terminals, plug-in type A, (4 405 4954 0) included	100 g

Order details accessories

Type	Short description	Description	Weight
4 405 4954 0	Plug-in, type A	Plug-in I/O spring terminal block, 10-pole up to 2.5 mm ² , labelled 0 to 9, connector type A	15 g