



Manual for the PCD1.M2_

0 Content

0.1	Document History	0-4
0.2	Trademarks	0-4

1 Graphical Overview**2 Orientation**

2.1	Introduction	2-2
2.1.1	Instructions for connecting Saia-PCD® controllers to the internet	2-2
2.1.2	Planning an application	2-3
2.1.3	Wiring	2-4
2.1.4	IO Addressing	2-5
2.2	Installation	2-7
2.2.1	Dimensions	2-7
2.2.2	Mounting Position and Ambient Temperature	2-7
2.2.3	Installation on Top-Hat Rails	2-8
2.2.4	Removal from Top-Hat Rails	2-8
2.2.5	Removing the Cover	2-9
2.2.6	Mounting a Flat Surface	2-10
2.3	Handling I/O modules	2-12
2.4	Battery	2-13
2.5	Earthing Concept and Power Supply	2-14
2.6	Labelling	2-15
2.7	Removing the Contact Protection of the I/O Module Connections	2-19

3 CPU / Processor Unit

3.1	Properties of the PCD1.M2_ CPUs	3-1
3.2	General Technical Details	3-2
3.3	Hardware Version	3-3
3.4	Firmware Version for the PCD1.M2_ (COSinus update)	3-4
3.5	System Memory Structure	3-5
3.5.1	Memory management of PCDs with COSinus operating system	3-5
3.5.2	Flash Memory Structure on PCD1.M2_	3-6
3.5.3	On-Board Memory for the File System	3-6
3.5.4	SD-Card on IO-Slot (PCD2.R6000)	3-7
3.5.5	Flash memory module PCD7.R5xx for File System	3-8
3.6	System Resources	3-9
3.6.1	Program Blocks	3-9
3.6.2	Data Types / Value Ranges	3-10
3.6.3	Resources elements	3-10
3.7	Operating Statuses and their LEDs	3-11
3.8	Run/Stop Button	3-12
3.9	Watchdog (Hardware Relay)	3-13
3.10	Watchdog (Software)	3-15
3.11	Program Download and Backup	3-16
3.11.1	User Program Download to PCD1 with PG5®	3-16
3.11.2	Backup and Restore User Program	3-19

4 Inputs and Outputs

4.1	On-board	4-1
4.1.1	Connection overview	4-2
4.1.2	Digital Inputs (Terminal Block X1)	4-3
4.1.3	Digital Outputs (Terminal Block X0)	4-4
4.1.4	Digital Inputs and Outputs (Terminal Block X0)	4-5
4.1.5	PWM Output (Pulse width modulation) (Terminal Block X0)	4-6
4.1.6	Interrupt Inputs (Terminal Block X1)	4-8
4.1.7	Analogue Inputs (Terminal Block X1)	4-10
4.2	Plug-In I/O Module for slot A	4-13
4.2.1	Analogue outputs	4-13
4.3	Plug-In I/O Modules for slot IO0 and slot IO1	4-17
4.4	RIO (Remote I/O)	4-18

5 System Cables and Adapters**6 PCD1.M2_ Communications Interfaces**

6.1	On-board	6-2
6.1.1	PGU (USB Port) Programming Interface	6-2
6.1.2	Ethernet (Port #9)	6-3
6.1.3	RS-485 (Port #0) not electrically isolated, terminal block X3	6-4
6.2	Slot A (Port #1) terminal block X2	6-5
6.2.1	RS-485/RS-422 PCD7.F110S Serial Interface Module	6-7
6.2.2	RS-232 up to 115 kBit/s, suitable for Modem Connection PCD7.F121S Serial Interface Module	6-8
6.2.3	RS-485 electrical isolation PCD7.F150S Serial Interface Module	6-9
6.2.4	Belimo MP-Bus PCD7.F180S Serial Interface Module	6-10
6.3	Serial Interface to I/O Slots	6-11
6.3.1	General Comments about the Plug-In Module PCD2.F2xxx	6-11
6.3.2	Communications Ports with PCD2.F2xxx Modules	6-12
6.4	Modem Communication	6-13

7 Configuration

7.1	Requirements	7-1
7.2	General Information	7-1
7.3	Running the Device Configurator	7-2
7.3.1	Help	7-3
7.3.2	Media Mapping for Digital Inputs (On-Board)	7-4
7.3.3	Media Mapping for Digital Outputs (On-Board)	7-4
7.4	Special Functions	7-5
7.4.1	Digital inputs (On-Board)	7-5
7.4.2	Analogue inputs (On-Board)	7-6

8 Maintenance

8.1	General Information	8-1
8.2	Battery Replacement for the PCD1.M2_	8-1

A Annex

A.1	Icons	A-1
A.2	Definition of Serial Interfaces	A-2
A.2.1	RS-232	A-2
A.2.2	RS-485 / RS-422	A-3
A.3	Glossary	A-4
A.4	Contact	A-6

0.1 Document History

Version	Changes	Published	Comments
pENG01	2009-08-17	2010-08-30	- New document
	2010-01-15	2010-08-30	- Additions, corrections
	2010-05-03	2010-05-05	- Various corrections
ENG01	2010-09-17	2010-10-08	- Final corrections
	2010-11-05	2010-11-05	- Digital inputs are not for 230 VAC
ENG02	2010-12-20	2010-12-20	- Label
ENG03	2011-03-25	2011-03-29	- I/O labelling applied, div. changes
ENG04	2011-09-13	2011-09-13	- Easier to understand representation of plug assignments in the chapter "Communication" - Terminators PCD7.F110S and PCD7.F150S corrected
ENG05	2013-05-05	2013-05-01	- Completely revised - Storage temperature changed from -20 to -25.
ENG06	2013-10-11	2014-01-28	- Logo and company names changed
	2014-01-20	2014-01-28	- Chapter 2.1.1: Instructions for connecting Saia-PCD® controllers to the internet
	2014-01-20	2014-01-28	- Chapter 4.1.1 und 6.1.3: PGND connection on terminal X3 Pin 37
	2014-01-21	2014-01-28	- Chapter 4.3: New PCD7.W600 for Slot A
ENG07	2014-04-22	2014-04-22	- typo corrected
	2014-11-19	2015-10-09	- 6.1.3 Modbus for Port #0
	2015-02-10	2015-10-09	- 2.2.6 Dimensions screw fixing
ENG08	2015-10-06	2015-12-07	- Various corrections
	2016-05-24	2016-05-25	- 3.9 Watchdog Connection example - 4.1.2 Interrupt-Connection - 4.1.6 Interrupt Device Config
	2018-08-20	2018-08-20	- Small fixes - 4.1.3 wrong text PWM → Digital Outputs

0.2 Trademarks

Saia PCD® is a registered trademark of Saia-Burgess Controls AG.

Technical changes are subject to the state of technology.

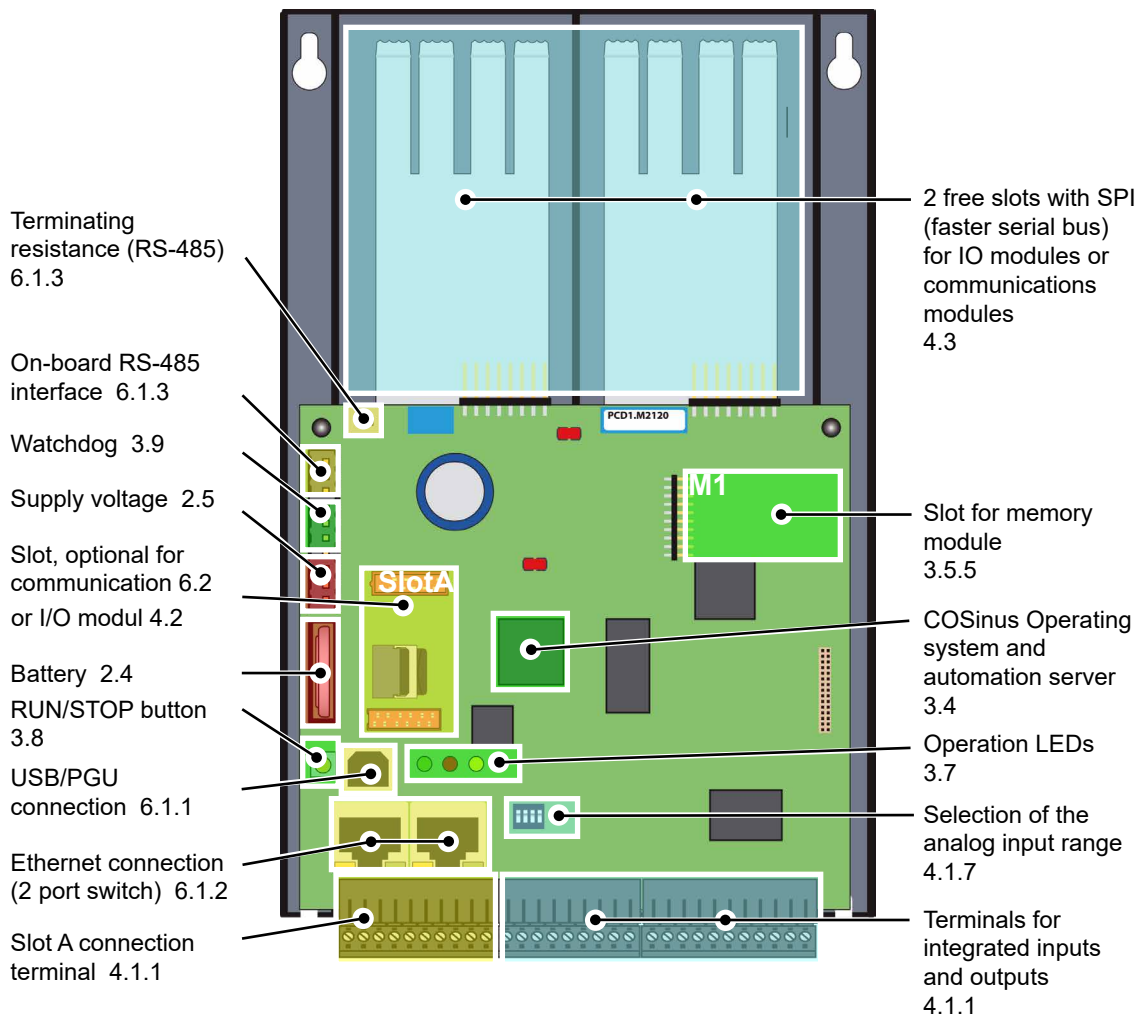
Saia-Burgess Controls AG, 2018. © All rights reserved.

Published in Switzerland

1 Graphical Overview

The graphical overview shows some of the main topics covered in the Operating Manual of the PCD1.M2x20 and PCD1.M2160.

By clicking on the highlighted components and/or connections, you can jump directly to the corresponding chapter in the document.
The numbers separated by dots indicate the relevant chapter numbers.



2 Orientation

Depending on the application, we recommend the following documentation on the topics ...

Topic	Documentnumber and Language
System catalogue	26-215_ENG
Programeing tools PG5	26-732_ENG
Programming	26-733_ENG
I/O modules	26-737_ENG
System cables and Adapters	26-792_ENG
Ethernet TCP/IP	26-776_ENG
RS-485 Network	26-740_ENG

A wealth of information is available on the support homepage.

Support: www.sbc-support.com
 PCD-Homepage: www.saia-pcd.com

The screenshot shows the SBC support homepage. At the top left is the SBC logo (SAIA BURGESS CONTROLS). To its right is a search bar with a magnifying glass icon and a dropdown menu for 'Search in'. Further right is a language selection dropdown set to 'English'. Below these are navigation tabs: 'Product Index' (highlighted), 'Product Category', 'Software', 'Documents', and 'Services'. On the left side, there is a 'Product Index' sidebar with a list of links: 'Axx: Energy meters', 'Kxx: Timers and Relays', 'Firmware for Saia PCD® COSinus', 'PCD1', 'PCD2', 'PCD3', 'PCD7', 'PCS1', 'PG5 Controls Suite', 'Q.xox: PLC Accessories', 'Visi.Plus', and 'S-Monitoring Application'. Below the sidebar is a 'Hide archive' checkbox. The main content area features a 'Welcome to the support site' section with a brief introduction and a link to 'www.saia-pcd.com'. Next to it is a 'System Catalogue' section with a description and a list of downloadable catalogues for different languages: German (16.5MB), English (16.6MB), French (16.5MB), and Italian (17.1MB). Below these are three news items: 'Security Upgrade for PCD Controllers', 'Connection of PCD controllers directly to the Internet', and 'Last changes to this site'. The 'Last changes to this site' section includes an RSS icon and a specific announcement: 'PG5 2.1.300 is available on the support homepage', dated Thursday, 23. January 2014.

2.1 Introduction

This manual describes the technical details of PCD1.M2_ components. Abbreviations (e.g. "LIO") are explained in the annex.

The purpose of this section is to introduce basic principles for the planning and installation of control systems with PCD1.M2_ components.

Details regarding hardware, software, configuration, maintenance and troubleshooting are covered in the respective sections.

2

2.1.1 Instructions for connecting Saia-PCD® controllers to the internet



When Saia PCD controllers are connected directly to the internet, they are also a potential target of cyber attacks. For secure operation, appropriate protective measures must always be taken.

PCD controllers include simple, built-in protection features. However, secure operation on the internet is only ensured if external routers are used with a firewall and encrypted VPN connections.

For more information, please refer to our support site:

www.sbc-support.com/security

2.1.2 Planning an application

When planning PCD1.M2_ applications, the following aspects must be taken into consideration:

- The internal load current drawn by I/O modules from the +5V and V+ supply must not exceed the nominal supply current of the CPU.
- The CPU type determines the maximum number of modules.

2

When planning an application, we recommend the following procedure:

1. Select all I/O modules according to requirements.
2. If PCD2.Wxxx and PCD2.Hxxx modules are used, the load current at the internal +5V and V+ supplies must be calculated (maximum values should be used).
3. Check that the maximum supply current is sufficient for the CPU.
4. Estimate draw from 24 V supply. Use estimation values. Estimation values can be found in the section about the power needs of PCD1 I/O modules, or they may be determined using the device configurator.



Please note that, for most applications, the outputs represent the greatest load on the 24 V supply. For 16 outputs each having a load output of 0.5 A, the total load will be 8 A, if all outputs are connected.

2.1.3 Wiring

- The 230 VAC supply cables and signal lines must be routed with at least 10 cm separating them. We also recommend leaving a space between the supply cables and signal lines in the control cabinet.
- Digital signal / bus lines and analogue signal / sensor lines should be routed separately.
- We recommend using shielded cable for analogue signal lines.
- The shielding should be earthed at the inlet and/or outlet of the control cabinet. The shielding should be as short as possible and have the greatest possible cross-section. The central earthing point should be $> 10 \text{ mm}^2$ and be connected to the earthing cable by the shortest route.
- The shielding is normally only connected to the control cabinet on one side, unless the available potential equalisation has a significantly lower resistance than the shielding resistance.
- Inductive loads installed in the control cabinet, e.g. protective coils, must be equipped with suitable suppressors (RC elements).
- Control cabinet components with high field strengths, e.g. transformers or frequency converters, should be shielded by separating plates with a good earthing connection.

Surge protection for large distances or external lines

- With the installation of lines outside of buildings or over large distances, suitable anti-surge measures must be taken. These measures are crucial for bus lines, in particular.
- Lines installed outdoors must have shielding with a suitable power line capacity and be earthed at both ends.
- Surge conductors should be installed at the control cabinet inlet.

2.1.4 IO Addressing

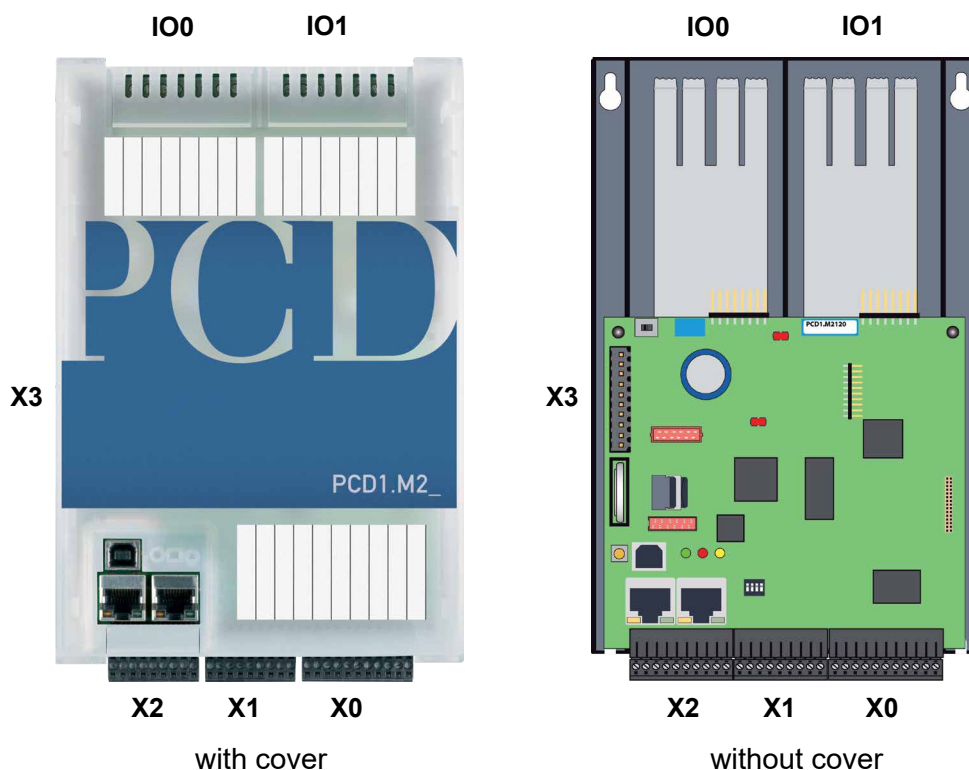
Optical output position for the following description

The PCD is lying or hanging in front of us as shown, so that the labelling can be read from left to right.

2

Addressing

In the case of Saia PCD® controllers with a flat construction, the addressing of I/O terminals always starts at the top left and continues in a clockwise direction, i.e. starting from slot IO0. The on-board I/Os of the PLC processor card are assigned to terminal blocks X0 to X2 and located on the underside of the PLC.



All element addresses in the PCD family start from No. 0.

Addressing the inputs or outputs in slots IO0 and IO1 from PG5

The direct access to the IO elements of each IO plug-in module takes place in the program through its media code and address number, separated by a space. For example, "I 5" or "O 32". In which case "I" and "O" are the media code and the number of the absolute address.

Further details about the programming can be found, among other places, in the auxiliary system of the PG5 programming tool or in the corresponding manuals.



The CPU's on-board inputs and outputs can be assigned to flags and registers (media mapping) by the programmer using the Device Configurator (Device Configurator in the PG5 tool). If IOs are media-mapped, these IOs cannot be reached directly from the program.

2

Watchdog relay address "O 255"

The address O 255 is reserved for the watchdog relay. The closing relay contact connection is located at connector X3.



You can find additional details in Chapter 3.8 Hardware watchdog. Please read this information.

Plug-in input and output modules

If space permits on the housing cover, it will show the input/output addresses. What if the cover has been temporarily removed?

Each I/O module slot is assigned an address range from 0 to 15, i.e. 16 addresses. Each slot in turn has been assigned a fixed base address at intervals of 16 addresses. In this case too, the count starts at 0. I/O module slots are designated Slot0, Slot1, etc.

For the PCD1.M2_ the two I/O slots have the following base addresses:

Slot 0 (top left) = Base addr. 0 (first element address of module)
Slot 1 (top right) = Base addr. 16 (first element address of module)

The base address of each plug-in module is therefore the following: Slot number x 16 = Base address.

The address of an input or output ('element' for short) is derived from the base address of the slot plus the added element address on the module itself (usually address 0..7 or sometimes 0..15).

Example:

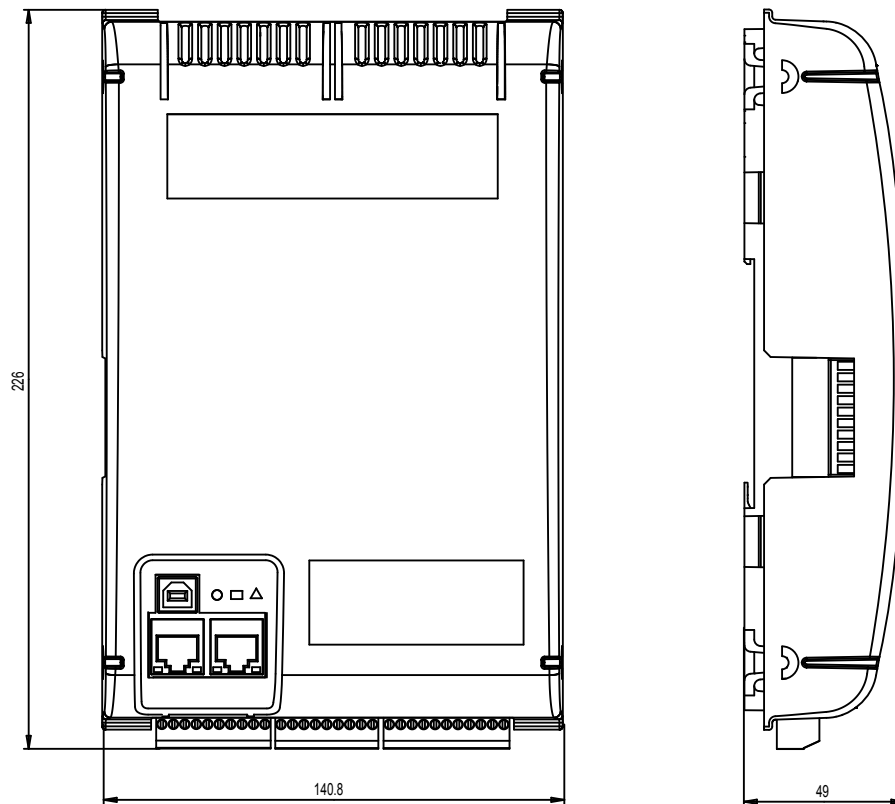
Where is address 20?
Address 20 / 16 = 1 remainder 4

Therefore:

Slot 1
Address 4 on the module

2.2 Installation

2.2.1 Dimensions



2

Dimensions in mm W x H x D = 142 x 226 x 49

2.2.2 Mounting Position and Ambient Temperature

Module holders are usually mounted on a vertical surface, in which case I/O connections to modules are also vertical. With this mounting position, an ambient temperature between 0 °C and 55 °C is permissible.

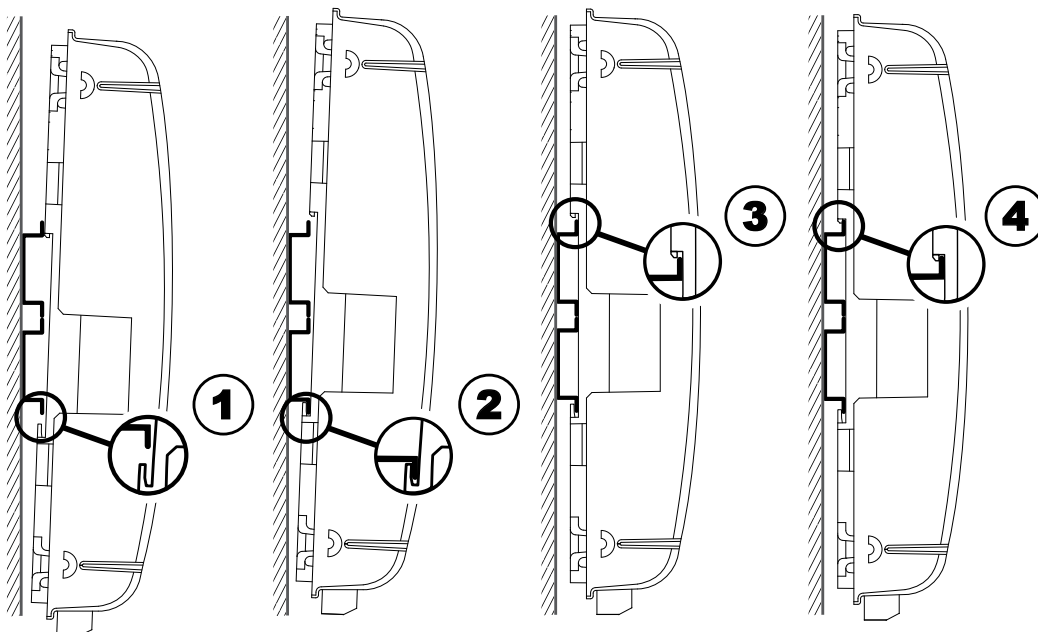


Vertical mounting should be preferred. All other positions are less favourable to air circulation, so their ambient temperature should not exceed 40°C.

2.2.3 Installation on Top-Hat Rails

The PCD1 can be snapped onto two horizontally installed top-hat rails (2 x 35 mm according to DIN EN 60715 TH35).

2



1. Press the underside of the PCD onto the top-hat rail.
2. Slip the lower part of the rail under the two overhanging lugs on the underside of the PCD. Push the PCD upward approx. 1-2 mm. You must overcome the resistance of the four highlighted plastic fingers acting as counter-pressure springs.
3. Press the upper part of the housing against the top-hat rail and snap into the rail, causing the “springs” to give way under the counter-pressure.
4. Press the PCD down on the upper edge of the top-hat rail and pull on it gently in order to ensure that the PCD is securely engaged.
5. For removal of the cover, see chapter 2.2.5.

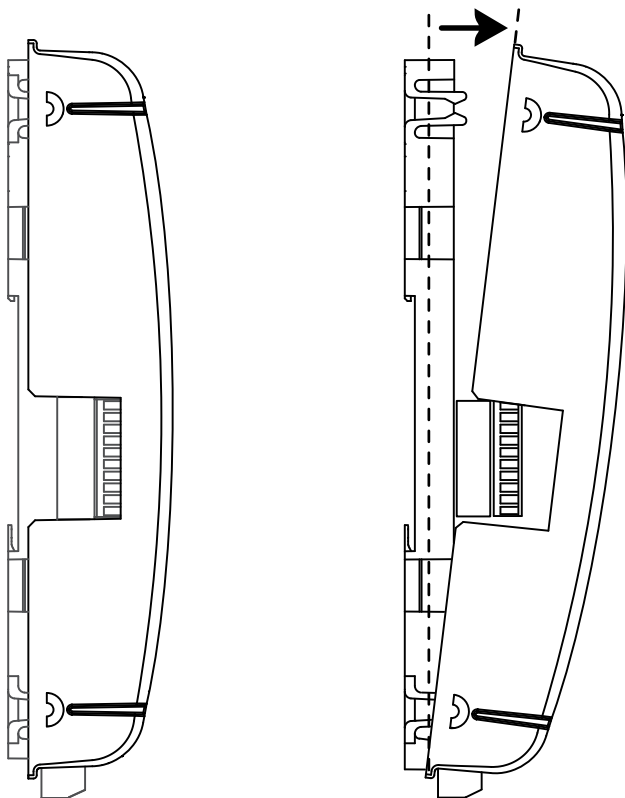
2.2.4 Removal from Top-Hat Rails

The PCD is removed following the above sequence in reverse.

2.2.5 Removing the Cover

The cover is snapped onto the lower part of the PCD

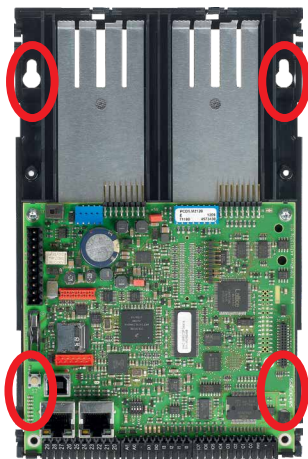
Beginning from the top of the cover, hook your fingertips under the edge of the cover and pull it off.

2

2.2.6 Mounting a Flat Surface

Mounting on a flat surface is an additional variant using four screws. In the following photograph, the two upper holes are used for fastening the housing and the two lower holes serve as guides.

The following mounting instructions assume that the PCD is to be mounted on a wall in front of the person performing the installation

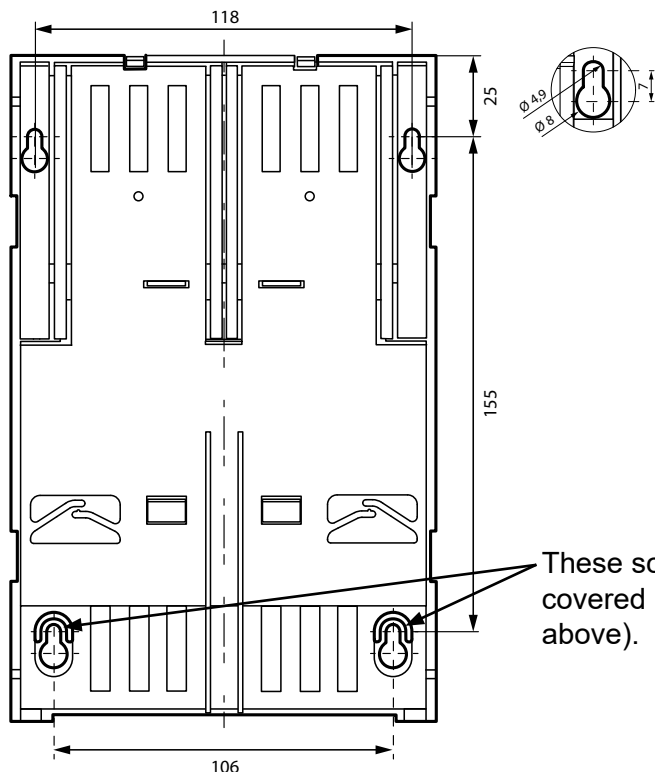


Two holes in the base plate for fastening the controller..

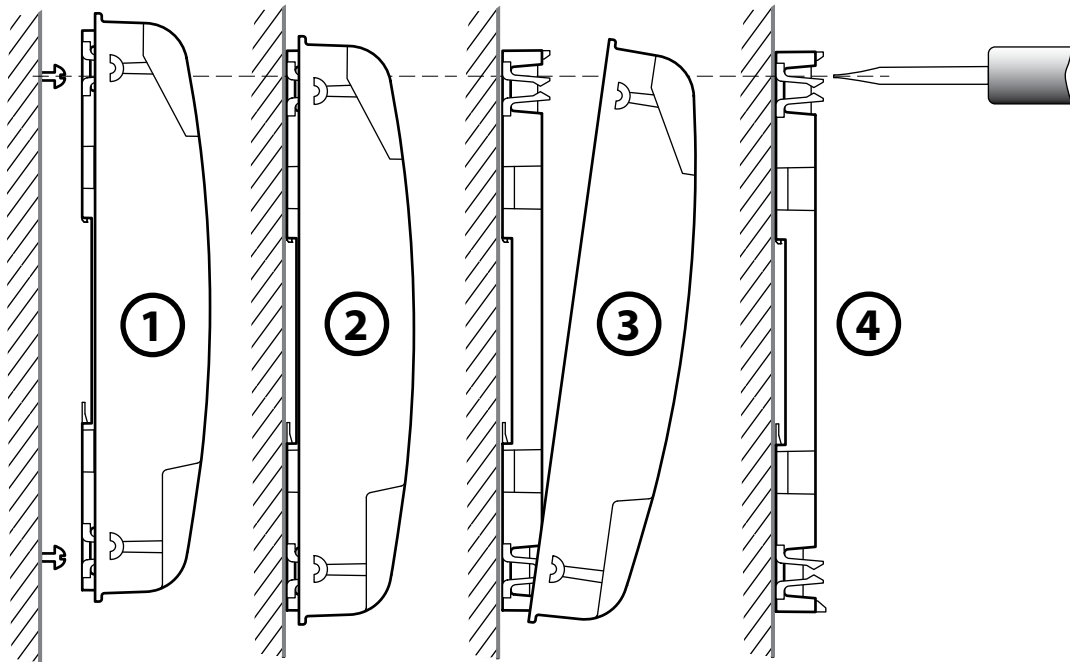
Two holes in the base plate for two additional guide screws.

Screw mounting:

The two lower screws must be tighten up to almost the thickness of the base plate. This allows a correct mounting of the PCD.



These screws cannot be tighten, they are covered by the cpu-print (see picture above).



2

1. Install all four screws, tightening them only to the extent that the PCD can still be suspended from them.
2. Suspend PCD from screws.
3. Remove the housing cover (grasp the edge of the housing cover with your fingertips and pull it towards you).
4. Fully tighten the two upper screws.

2.3 Handling I/O modules



The power supply must be disconnected before a module is inserted or removed! This also applies if changes are made on the module (such as insertion/removal of jumpers).

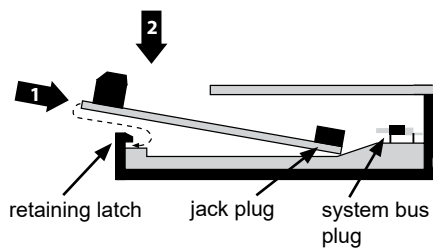
2

Inserting the module

Metal plates can be seen on the base of the housing. They provide shielding and are each precisely aligned to the module slot.

An I/O module can be inserted into each of these slots (IO 0 and IO 1)

1. This is done by carefully inserting the module, socket connector first (usually blue), and pushing it gently toward the system bus plug until the stop. Guides assist this process.
2. As soon as the opposite end of the module is flush with the retaining latch of the housing base, press the module down toward the plate.



Removing the module

With your thumb, push the retaining latch no more than 1 mm away from the module (from the I/O/ connection plug and/or terminal), pressing outward. . With your other hand, lift the module at the I/O connection plug just above the retaining latch and withdraw the module from the slot.



Be careful not to bend the metal claws of the shielding plate inward with a tool (in other words, never use a screwdriver to pry the module out). This could result in a short-circuit, with consequent damage to the module and/or controller.

2.4 Battery

Resources (registers, flags, timers, counters, etc.) character strings (TEXT) and data blocks (DBs) are stored in the RAM. In order to prevent these from being lost, and to enable the hardware clock to carry on running during a power failure, PCD1.M2_ devices are equipped with a back-up battery:

CPU model	Battery	Buffer time
PCD1.M2_	Renata CR2032 lithium battery	1...3 years ¹⁾

¹⁾ The higher the ambient temperature, the shorter the buffer time.

CPUs with lithium batteries are not maintenance-free. The battery voltage is monitored by the CPU. If the battery voltage is $\leq 2,4$ V or the battery is absent, the CPU attempts to start the XOB2. If this is not included in the program, the ERROR LED (yellow) begins to blink with a frequency of 500 ms.

The battery is included and must be fitted during commissioning. For instructions, see chapter 8 Maintenance.

Battery replacement

See chapter 8 Maintenance.

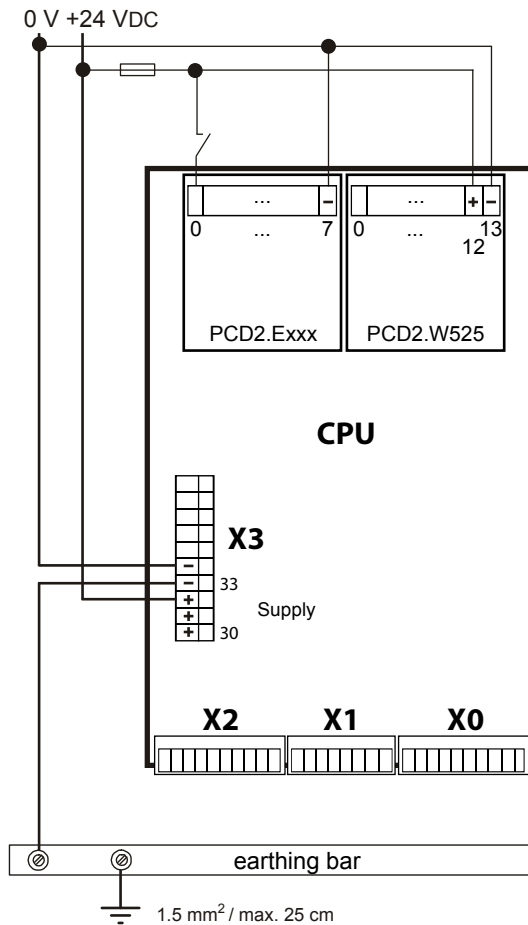
2.5 Earthing Concept and Power Supply

There is a shielding and earthing plate in the lower part of the PCD1 housing. This combines with the shielding and earthing plate in the module holder to form a common, wide-area earthing point for all I/O modules and the external power supply.

If an I/O module is inserted in the module holder, the metal claws of the shielding plate in the PCD1 housing form a reliable, multiple contact point with the module.

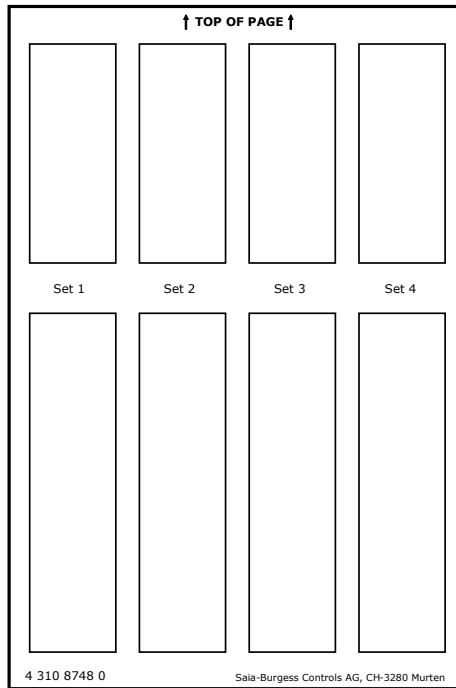
The zero potential (minus) of the 24 VDC supply is connected to the minus terminal of the supply. This should be connected to the earthing rail using the shortest possible cable (< 25cm) with a cross-section of 1.5 mm².

Any shielding of analogue signals or communications cables should take place either through a minus terminal or through the earthing rail to the same earth potential. All minus connections are linked internally. For problem-free operation, these connections should be externally reinforced with short cables with a cross-section of 1.5 mm².



2.6 Labelling

PCD1 I/Os are labelled with two self-adhesive labels. One set of 2 x 4 labels (item number: 4 310 8748 0) is included with the PCD1.M2_ on delivery. Labels can be created with the Device Configurator and then printed.



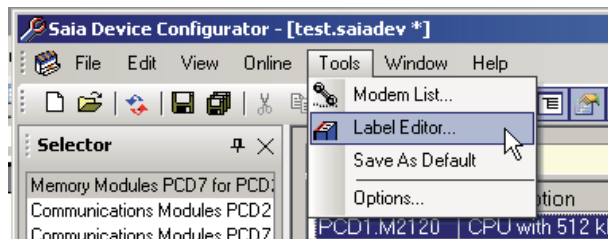
Creating I/O Labels

The desired definitions of the I/O modules used must first be assigned to the corresponding slots in the PG5 (Version 2.0 or later) Device Configurator.

Onboard Inputs/Outputs		
I/O	Type	Description
I/O 0	16 Digital In-/Outputs	4 digital inputs, 4 digital outputs, 4 configurab
I/O 1	2 Analogue Inputs	2 analogue inputs, -10..+10VDC, 0..20mA, Pt

Onboard I/O Slots		
Slot	Type	Description
Slot 0	PCD2.W525	4 analogue inputs, 0..10V, 0..20mA, Pt/Ni1000, F
Slot 1	PCD2.A410	8 transistor outputs, 5..32VDC, 0.5A, electrically

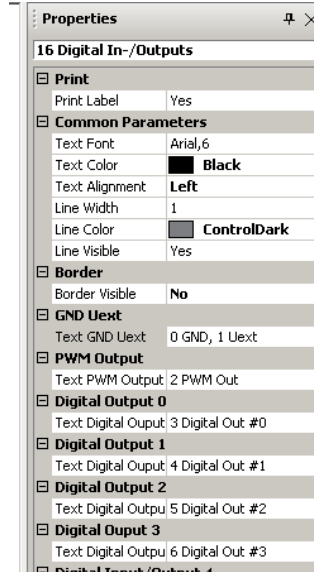
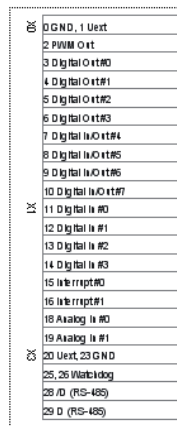
Start Label Editor.



Edit I/O label texts.



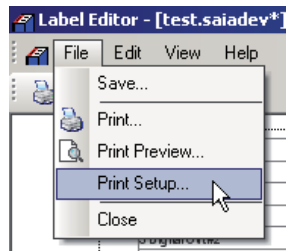
I/O label texts are not dependent on the PG5 symbol descriptions!



2

Print labels

Carry out print setup in the main menu.

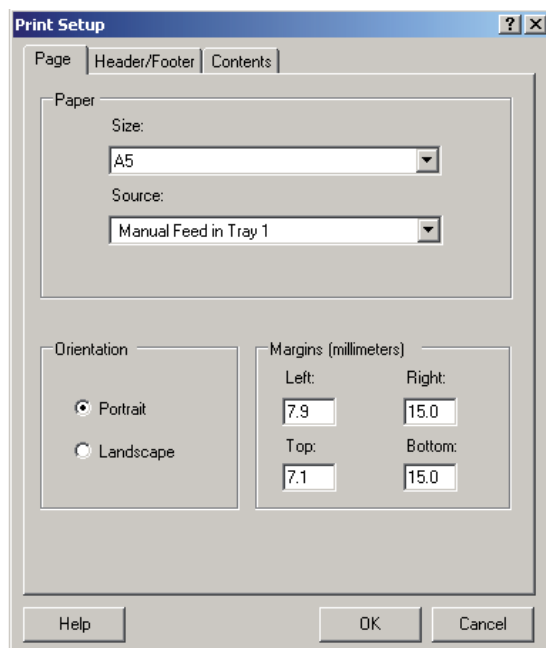


When using the supplied labels, the following settings are necessary:

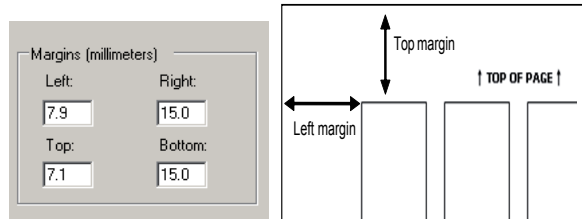
“Size” A5

“Source” manual paper feed.

The settings depend on the printer and must be adapted accordingly.

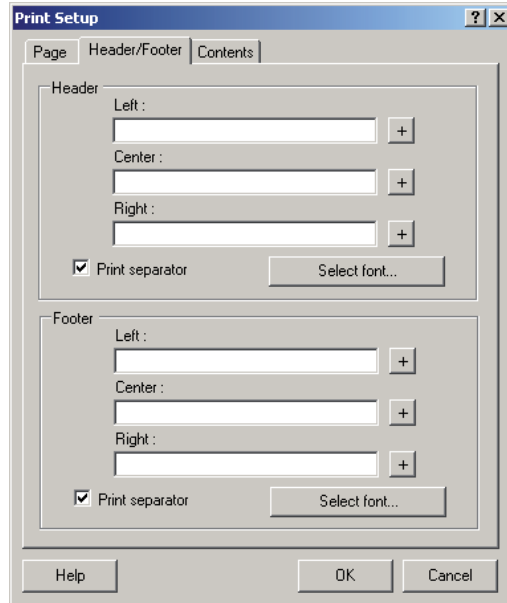


The print position can be modified by adjusting of the “Margins”.

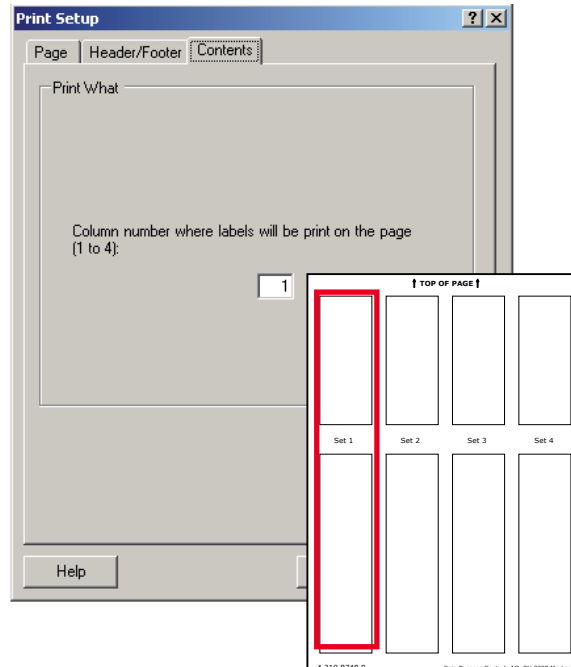


2

No headers or footers should be defined.

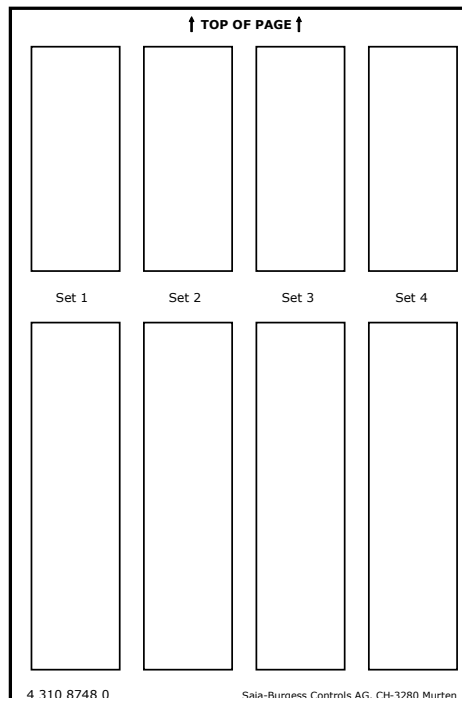


Select one of the label sets 1-4 on the label sheet for the printout.



Removing the Contact Protection of the I/O Module Connections

Insert the A5 label sheets in the printer and start the print order.

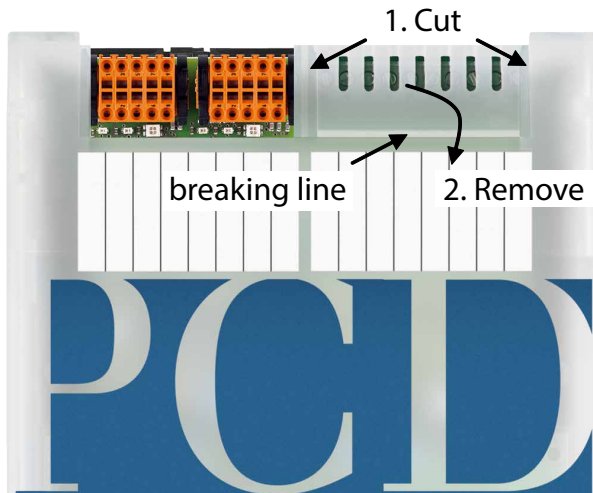


2.7 Removing the Contact Protection of the I/O Module Connections

Some I/O modules, such as the PCD2.F2xxx communications module, require more space for the connection. For this purpose, the contact protection of the I/O slots can be removed as follows:

1. Cut at both ends.
2. Bend the slot cover upward and remove it. Deburr the broken edges (risk of injury).

2



3 CPU / Processor Unit

3.1 Properties of the PCD1.M2_ CPUs

Differences between basic units PCD1.M...	PCD1.M2160	PCD1.M2120	PCD1.M2020
General Features			
I/O bus extension	No		
Number of inputs/outputs or I/O module slots	up to 50 ¹⁾		
Processor	MCF5373L / 234 MHz		
Firmware, firmware update (firmware memory soldered on)	Can be downloaded from PG5 environment		
Programmable with PG5	V2.0.210 or higher	V2.0.150 or higher	V2.0.200 or higher
RAM expansion	1 Mbyte	128 Kbyte	
Code/Text/DB	1 Mbyte (write-protected)	512 Kbytes (write-protected)	
Backup memory	integrated in the file system		
User file system	128 Mbyte	8 Mbyte	
Hardware time precision	Yes, deviation less than 1 min/month		
Data backup	Renata CR2032 lithium battery, 1...3 years ²⁾		
Digital inputs	4		
Max. Input frequency	1 kHz ³⁾		
Digital outputs	Max. 10 (1 relay)		
Interfaces			
Programming interface	USB ⁴⁾		
Optional serial data interface Port 1 to Slot A	1 × PCD7.F1xxS module RS-232, RS-422/485, MP-Bus or Bluetooth		
Port 0 RS-485 (X3 terminal block), up to 115 kbit/s	✓		
Profi-S-Net interface/DP slave	Port 0 up to 187.5 kbps		
Ether-S-Net interface	2 Port Switch	---	
Field bus connections			
Serial-S-Net	✓		
Profi-S-Net/Profibus DP slave	✓		

¹⁾ With digital I/O modules PCD2.E16x or PCD2.A46x, each with 16 I/O.

²⁾ The specified time period is a buffer time, which depends on the ambient temperature (the higher the temperature, the shorter the buffer time).

³⁾ The 1 kHz applies with a pulse/pause ratio of 1:1 and is based on the overall frequency of the inputs.

⁴⁾ The USB port is type "USB 1.1 Slave Device 12 Mbps" and can only be used for programming and as an S-Bus slave in combination with specific software products (Webconnect, ViSi-PLUS with S-Driver). With a USB 2.0 hub the download takes place twice as fast. It can also be used as a serial data port, for example, in order to connect a terminal; however, this impedes commissioning and troubleshooting with the Debugger.

3.2 General Technical Details

Power supply (external and internal)	
Supply voltage	24 VDC
Power requirement ¹⁾	typ. 120 mA
Internal bus capacity 5 V / V+	500 mA / 200 mA
¹⁾ In the planning of PCD1 systems, it is especially important to make sure that neither internal supply is overloaded. This check is especially important with the use of analogue modules, counters and positioning modules, because they can have a very high power requirement. For this purpose, we recommend using the specifications in the PG5 Device Generator.	
Ambient conditions	
Ambient temperature	With assembly on a vertical surface with vertically aligned terminals: 0...+55 °C For all other installation positions, a reduced temperature range of 0...+40 °C: applies
Storage temperature	-25...+85 °C
Relative humidity	10...95 % without condensation
Vibration resistance	
Vibration	in accordance with EN/IEC61131-2: - 5...13.2 Hz constant amplitude (1,42 mm) - 13.2...1150 Hz, constant acceleration (1 g)
Electrical safety	
Protection type	IP20 in accordance with EN60529
Air/leak paths	In accordance with EN61131-2 and EN50178: Between circuits and housings and between electrically isolated circuits: Overvoltage category II, Pollution severity 2
Test voltage	350 V / 50 Hz AC rated unit voltage 24 VDC
Electromagnetic compatibility	
Immunity	According to EN61000-6-2
Electrostatic discharge	According to EN61000-4-2: - 4 kV Contact discharge, - 8 kV Air discharge
Radiofrequency Electromagnetic field Amplitude modulated (radiated)	According to EN61000-4-3: - 2,0...12,7 GHz 1 V/m, - 1,4...12,0 GHz 3 V/m, - 80...11000 MHz 10 V/m
Fast transient burst	According to EN61000-4-4: - 2 kV for direct/alternating current supply lines, - 1 kV for I/O Signal lines and data communication - (2 kV for AC I/O unshielded)
High energy surge	According to EN61000-4-5: - 0.5 kV CM/DM for direct current supply lines, - 2 kV CM and 1 kV DM for alternating current supply lines , - 1 kV CM for I/O Signal lines and data communication - (2 kV CM and 1 kV DM for AC I/O unshielded)
Radiofrequency Interference (conducted)	According to EN61000-4-6: 10 V 150 kHz-80 MHz
Noise emissions	According to EN61000-6-4: for industrial areas

3.3 Hardware Version

After the official release, a product undergoes improvements and modifications in subsequent years. In order to be able to recognise such modifications, there is a so-called hardware version number. Based on this number, the user can check whether a function is provided depending on the hardware. This can be viewed with the PG5 Online Configurator under Hardware Info or on the label on the back side of the PCD1.

3.4 Firmware Version for the PCD1.M2_ (COSinus update)

The firmware of the PCD1.M2_ is stored on a flash memory, which is soldered to the mother board. A firmware update can be applied by downloading a new version with the PG5. To do so, proceed as follows:

- Open www.saia-support.com and download the latest firmware version
- Establish a connection between PG5 and the CPU, the same way as when downloading an application (in accordance with the available devices, serial with PGU cable, modem, USB, Ethernet)



A modem connection is never permitted. Modems can block, so that remote access is no longer possible. In these cases, it is necessary to visit the system in person. Other connection options are preferred.

- Open the online configurator and go offline
- In the Tools menu, select “Update Firmware” and use the Browse function to select the path for the file with the new firmware version. Make sure that only one file is selected for download
- Start the download
- After the download, the power supply of the PCD1 may not be interrupted for 2 minutes. (CPLD programming sequence). Otherwise, there is the risk of the CPU locking, in which case it must be sent back to the manufacturer. The download process is concluded with the restarting of the PCD.



The firmware of the PCD1.M2_ is secured on a flash memory on the mother-board.

3.5 System Memory Structure

User program code incl. ROM DB/Text	512 kByte saved in the file system
Memory expansion with battery buffer	128 kByte SRAM for read/write access to DB and texts
PCD media with battery buffer	Register: 16'384 Flag: 16'384 Timer/counter: 1600
On-board user file system	8 Mbyte for web files, data logging, documents or backup
PLC file system	Special file system partition PLC_SYS for system data. The user cannot access this partition. This is only for internal use.
Backup for user memory	On file System => User BACKUP folder

3.5.1 Memory management of PCDs with COSinus operating system

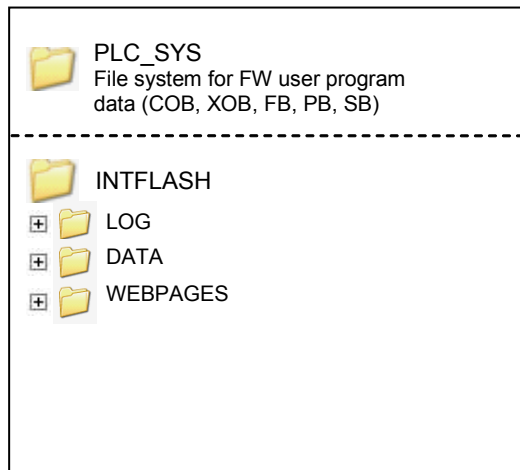
The PCD controllers operate their programs from its internal battery-buffered RAM memory. Controllers such as Saia PCD3.Mxx60, Saia PCD1.M0 _/. M2_ and the programmable Web-Panel MB are equipped with an on-board backup memory (Flash). When downloading an user application with Saia PG5® all necessary files are also stored on request in this backup memory (PG5 default setting).

If the power supply is connected to the controller and there is no executable program in the program memory, during the start-up procedure the PCD (equipped with COSinus OS) is restoring the previously saved program from the backup memory (Flash) into the program memory and then execute it.

Memory structure and resources of the Saia PCD® systems (see chapter 3.1 "Properties of the PCD1.M2_ CPUs")	
Working memory	
User program	512 kByte ... 1 MByte
DB/Text	128 kByte ... 1 MByte
Flash memory	
File system	8 ... 128 MByte (maximum 900 ... 2500 files or 225 ... 625 directories)
Flash memory extensions	
Extension modules	1



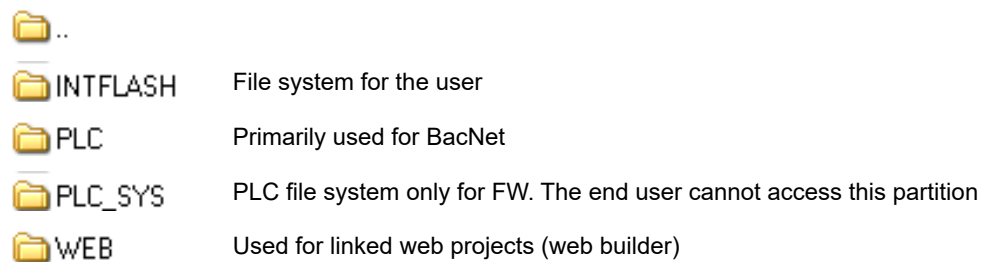
Memory structure of a PCD1.M2_ with additional memory cards



Root directory of an SD flash card

3

3.5.2 Flash Memory Structure on PCD1.M2_



3.5.3 On-Board Memory for the File System

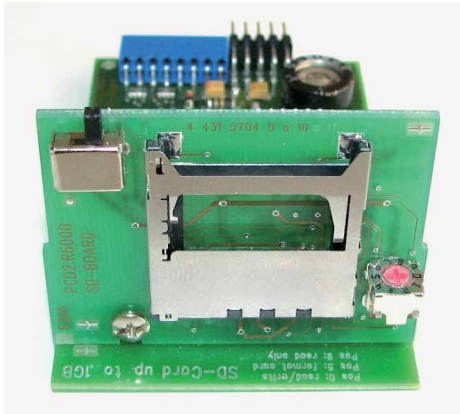
To use the on-board flash memory, select «PCD Memory» → «Internal»



The internal flash memory has the following name:
INTFLASH.

The absolute path for access to the file is as follows:
INTFLASH:/MYFOLDER/MYFILE.TXT

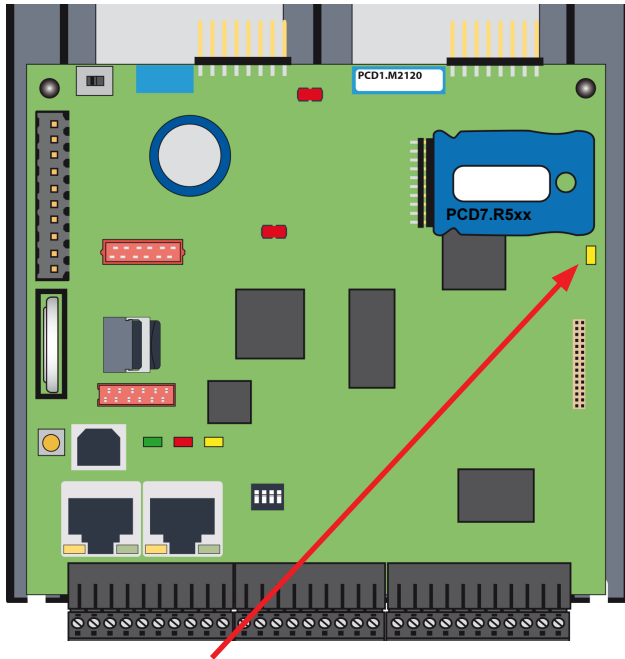
3.5.4 SD-Card on IO-Slot (PCD2.R6000)



3

The PCD2.R6000 memory module is not supported on the PCD1.M2_ because the SD card cannot be mechanically secured.

3.5.5 Flash memory module PCD7.R5xx for File System



Flash card status LED (yellow) switches on when the flash card is accessed.

The flash card is inserted directly into the main circuit board. A screw in the cover secures the flash card in place. The mechanical cover is designed so that the flash card cannot loosen from the slot due to vibrations.

Summary Memory Module for PCD1.M2_ CPU

PCD7.R550M04



Flash memory module with file system Enables the saving of files, such as those for the webserver. The PCD can access the files directly through the FTP or HTTP server and write all PC-readable files (*.csv) directly to the module.

PCD7.R560



BACnet firmware module for slot M1

PCD7.R562



BACnet firmware module for slot M1 with 128 MB for program storage and file system

PCD7.R580



Lon over IP firmware module for slot M1

PCD7.R582*



Lon over IP firmware module for slot M1 with 128 MByte for program storage and file system

3.6 System Resources

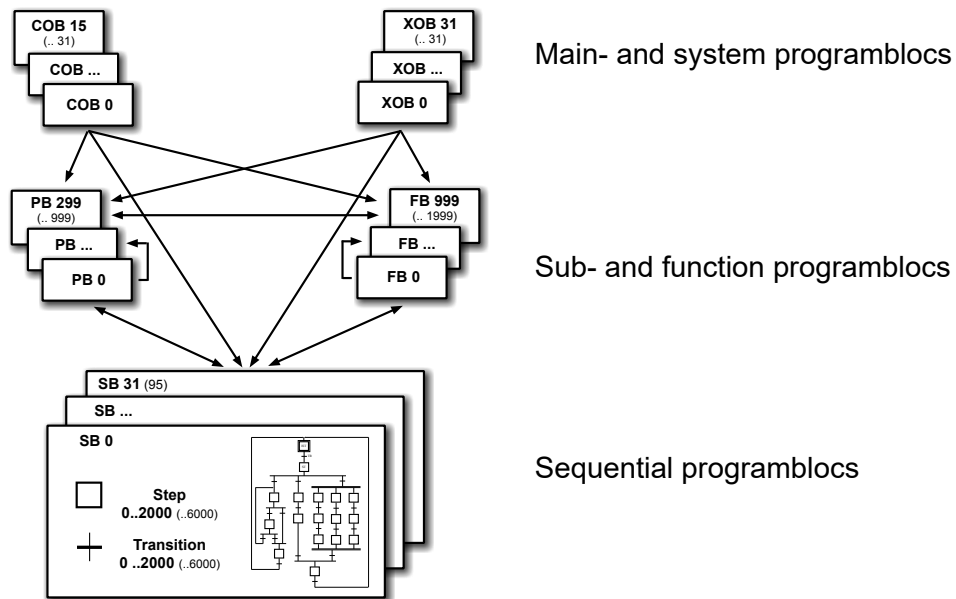


System resources are described on the basis of PCD1.M2120. The differences between the individual PCs can be seen in 3.1.

3.6.1 Program Blocks

Model	Number	Addresses	Comments
Cyclical Organisation Blocks (COB)	32	0...31	Main program elements
Exception/system-dependent organisation blocks (XOB)	64	0...63	Called from the system
Program Blocks (PB)	1000	0...999	Subprograms
Function blocks (FB)	2000	0...1999	Subprograms with parameters
Sequential blocks (SB) a total of 6000 steps and transitions	96	0...95	Sequential processes for Graftec programming

Bloc structure



3.6.2 Data Types / Value Ranges

Model		Comments
Integer	$-2'147'483'648$ to $+2'147'483'647$	Format: Decimal, binary, BCD or hexadecimal
Floating-point numbers	$-9,223'37 \times 10^{18}$ to $-5,421'01 \times 10^{-20}$ $+9,223'37 \times 10^{18}$ to $+5,421'01 \times 10^{-20}$	Instructions for the conversion of values in the Saia PCD® format (Motorola Fast Floating Point, FFTP) to IEEE 754 format and vice versa are provided.
IEEE single precision, IEEE double precision	$\pm 1.401 \times 10^{-45}$ to 3.403×10^{38} $\pm 4.941^{-324}$ to 1.798×10^{308}	double precision requires two registers (64 bit)

3

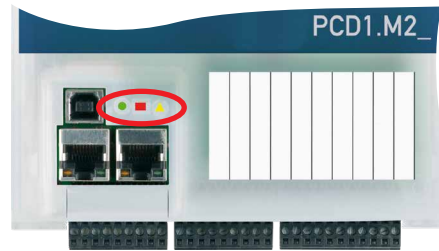
3.6.3 Resources elements

Model	Number	Addresses	Comments
Flags (1 bit)	16'384	F 0...16'383	Flags are not transient, but a transient range, starting from Address 0 can be configured.
Register (32 bit)	16'384	R 0...16'383	For integer or floating point values
Text/data blocks	8191	X or DB 0...8190	For text and DB
Timer/counter (31 bit)	1600 ¹⁾	T/C 0...1599	The breakdown of timers and counters can be configured. Timers count down periodically under the control of the operating system; the basic time unit can be varied between 10 ms and 10 seconds.
Constants with media code K	user-defined	0...16'383	Values can be used in instructions instead of registers
Constants without media code	user-defined	$-2'147'483'648$ to $+2'147'483'647$	Can only be loaded to a register with an LD command and cannot be used in instructions instead of registers.

¹⁾ To avoid unnecessary load on the CPU, no more timers should be configured than required.

3.7 Operating Statuses and their LEDs

Three LEDs (green, red and yellow) show the possible operating statuses of the CPU as set out in the following table.



3

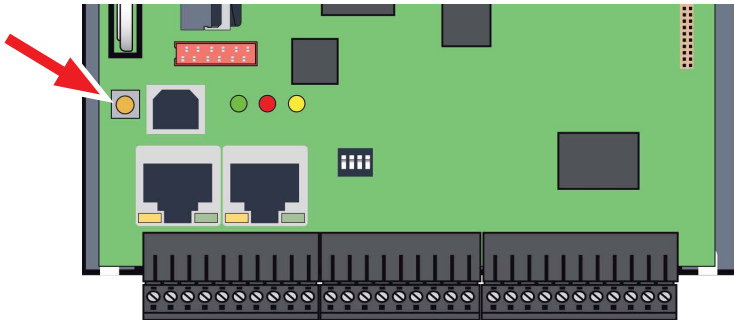
LED	PCD1.M2_		
Meaning	Run	Stop	Error(s)
Form	●	■	▲
Colour	green	red	yellow
Run	●	□	▲
Run conditional	●/○	□	▲
Run with error	●	□	▲
Run conditional with errors	●/○	□	▲
Stop	○	□	▲
Stop with errors	○	□	▲
Halt	○	■	▲
System diagnostics	●/○	■/□	▲/▲
Battery fault	○	□	▲/▲

- Key:
- LED off
 - LED on
 - /○ LED blinks

Start	Self-diagnosis for approx. 1 sec. after switch on or restart
Run	Normal processing of the user program after start-up.
Run conditional	Conditional Run status A condition was set in the debugger (Run until...), which has not been fulfilled yet
Run with error	The same as Run, but with an error message
Run conditional with error	The same as Run conditional, but with an error message
Stop	The status Stop occurs in the following cases: <ul style="list-style-type: none"> - Programming unit connected in PGU mode while the CPU was switched on - PGU stopped by programming unit - Condition for BED.RUN was fulfilled
Stop with error	The same as Stop, but with an error message
Halt	The status Halt occurs in the following cases: <ul style="list-style-type: none"> - Stop instruction processed - Serious error in the user program - Hardware fault - No program loaded - No communications mode on the S-bus PGU or Gateway Master Port
System diagnostics	
Battery fault	Flashes at interval of 500 ms
Reset	The RESET status has the following causes: <ul style="list-style-type: none"> - Supply voltage too low - Firmware not started

3.8 Run/Stop Button

The operating mode can be changed during operation or during power-up:



3

During power-up:

If the Run/Stop button is pressed during power-up of the PCD and then released during one of the sequences describe below, one of the following actions can be triggered:

LED sequence	Action
Orange	none
Green, blinking (1 Hz)	Switches to "Boot" status and waits for FW download.
Red, blinking fast (4 Hz); FW > V01.08.45	The system starts in the same manner as for an empty SuperCap or empty or absent battery. In the process, media/resources (flash, registers, flags, etc.), user program and hardware settings are deleted. The time is set to 00:00:00 01/01/1990. The backup of the on-board flash is NOT deleted.
Red, blinking slowly (2 Hz)	The PCD does not start up and switches to "Stop" mode.
Red/Green, blinking (2 Hz)	Saved data is deleted, which means media/resources (flash, registers, flags, etc.), user program, hardware settings and the backup on the on-board flash. If a plug-in flash card (see chapter "3.5 System Memory Structure") was used, its program is not copied to the on-board flash.

During operation:

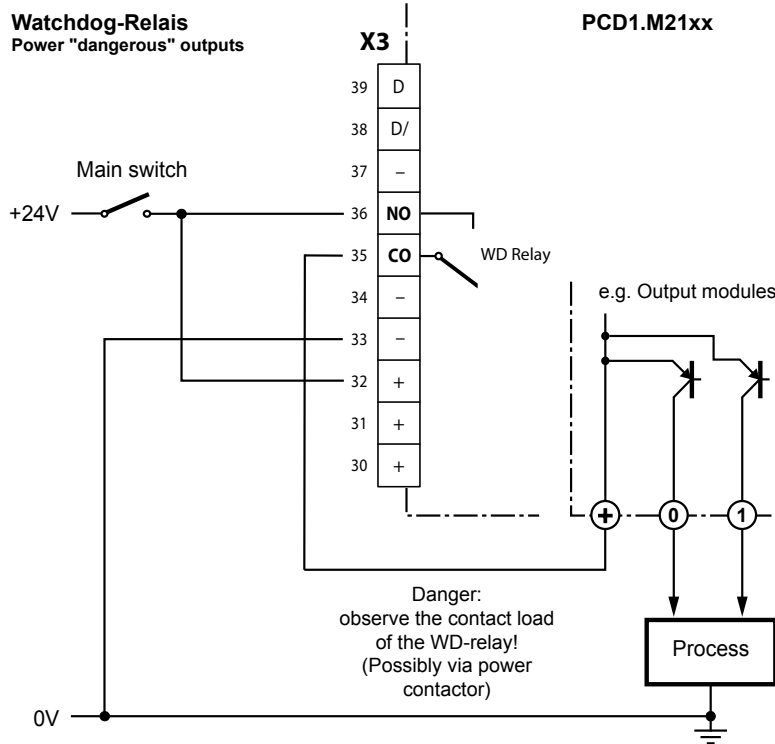
If the button is pressed in Run mode for longer than 1/2 second and less than 3 seconds, the controller switches to Stop mode and vice versa.



If the button is pressed for longer than 3 seconds, the last saved user program is loaded from the flash memory.

3.9 Watchdog (Hardware Relay)

PCD1.M2_ CPUs have a hardware watchdog as standard equipment. The watchdog relay is at Pins 35 and 36 at Plug X3.

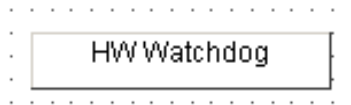


Functional description

As soon as the watchdog relay is called at the address O 255 by a switch on/off frequency of < 200ms, the relay contact closes. It remains closed until the pulse time exceeds 200ms.

If this happens, it can mean the following:

- ➔ The CPU has stopped
(no longer in RUN mode)
- ➔ Program execution too long
(AWL program loops, program too large)

Example FUPLA FBox:

Further details are available in the online help of the FBox "HW watchdog".

3

Example of an instruction list (IL) sequence:

Label	Com-mand	Operand	Comment
	COB	0	; or 1 ... 15
		0	
	STL	WD_Flag	; Helpsflag invers
	OUT	WD_Flag	
	OUT	0 255	; Output 255 blinking
	ECOB		

With this code the watchdog triggers even for (continuous) loops that are due to programming. Regarding user program cycle time, please note the following:



With cycle times longer than 200 ms, the code sequence must be repeated multiple times in the user program in order to prevent the watchdog triggering during RUN.

Since address 255 falls outside the normal I/O range of a PCD1.M2_, there are no limitations on permissible I/O modules.

3.10 Watchdog (Software)

The hardware watchdog offers maximum security. A software watchdog can be sufficient for non-critical applications, whereby the processor monitors itself and the CPU is restarted in the event of a malfunction or a loop. The core of the watchdog software is the instruction SYSWR K 1000. The watchdog function is activated when this instruction is output for the first time. It must then be output at least every 200 ms, otherwise the watchdog will be triggered and the PCD restarted

3

Instruction in IL code:

Label	Com-mand	Operand	Comment
	SYSWR	K 1000	; Software watchdog instruction
		R/K x	; Parameter according to the following ; table ; K = Constants on ; R = Register ; Blank space ; x = 0 The software watchdog is deacti- ; vated. ; x = 1 The Software Watchdog is activat- ; ed if the instruction is not ; repeated within 200 ms, a cold ; start is performed. ; x = 2 The Software Watchdog is activat ; ed if the instruction is not ; repeated within 200 ms, XOB 0 is ; called, then a cold start is ; performed.

“XOB 0” calls are entered in the PCD History as follows:

- «XOB 0 WDOG START» if XOB 0 was triggered by the watchdog software
- «XOB 0 START EXEC» if XOB 0 was triggered by a power supply error

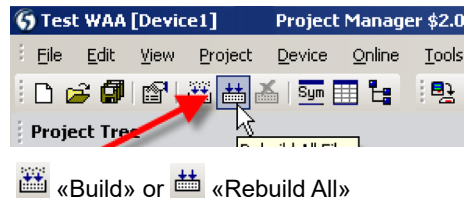
3.11 Program Download and Backup

3.11.1 User Program Download to PCD1 with PG5®

1 Creating and compiling the user program

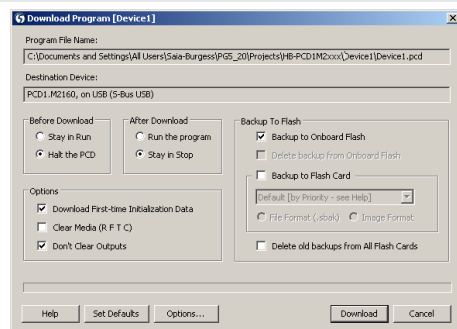
After successfully compiling the project without errors, the file with extension “.pcd” contains the following information:

- User program (FUPLA, IL, etc.)
- Configuration files (BACnet, LON, etc.)
- Data for the initialisation of resources for the first time



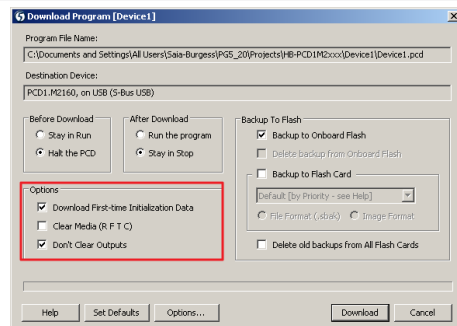
2 Program download

The “Download” icon in the SPM opens the window opposite. If all settings are as desired (see below), the user program is loaded into the PLC with the “Download” button.



3 “Options” area

- | | |
|---|--|
| Download First-time Initialisation Data | Initialisation of media (registers, flags, etc.) for the first time |
| Clear Media (R, F, T, C) | All media, such as flags and registers are set to zero. Including all media for media mapping. |
| Don't Clear Outputs | Physical outputs with or without media mapping save their values while the new program is transmitted to the execution memory. |

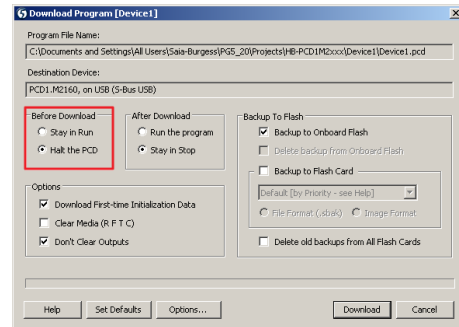


4 “Before download” area

Two options are available before downloading the user program file:

Stay in Run Remain in Run The file is downloaded to the file system while the PLC is in RUN. The PLC first stops the successful download, parses the file and performs a restart.

Stop in PCD First the PLC stops, then the file is downloaded to the file system. After the successful download, the PLC parses the file and performs a restart.



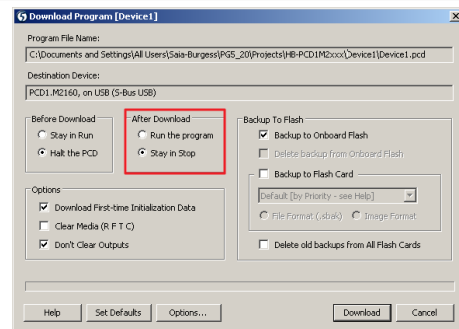
3

i The PLC switches to STOP for the parsing of the new file. This step takes 2 to 5 seconds, depending on the size of the user program.

5 “After download” area

Run the program Sets the PLC to RUN, once the download is successfully completed

Stay in Stop After the download, PLC remains in STOP



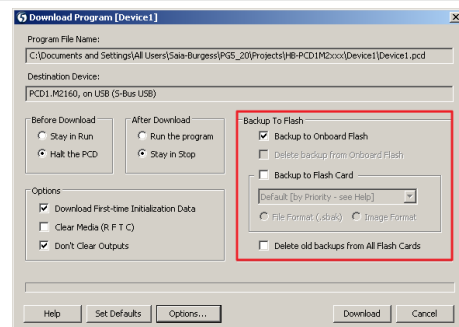
6 “Backup to Flash” area

Backup to on-board flash Physical outputs with or without media mapping save their values while the new program is transmitted to the execution memory.

Delete backup from On-Board Flash All media, such as flags and registers are set to zero. Including all media for media mapping.

Backup to Flash Card Save to flash card

Delete old backups from All Flash Cards Deletes old saved programs from all flash cards



7 “Download” button

- | | |
|------------------|--|
| “Security” area | <ul style="list-style-type: none"> - Warn if PCD contains program with different name. - Warn if different Station number or IP address - Warn if a running program will be restarted/stopped. - Verify PCD Serial Number ...
Warning: The PCD already contains another program - Show Program Information before downloading
Warning: The PCD already contains another program - Warn if LON Bindings may be lost
Warning: The PCD already contains another program |
| “Behaviour” area | <ul style="list-style-type: none"> - Download automatically after successful build - Download program only if changed - Go online after successful download
(observation mode) |

3



It is not possible to download only those blocks which have been modified. The user program is downloaded into the on-board memory in a file and, after a restart of the system, the process is complete. If the download is not successfully completed, the FW deletes all files within the system folder.

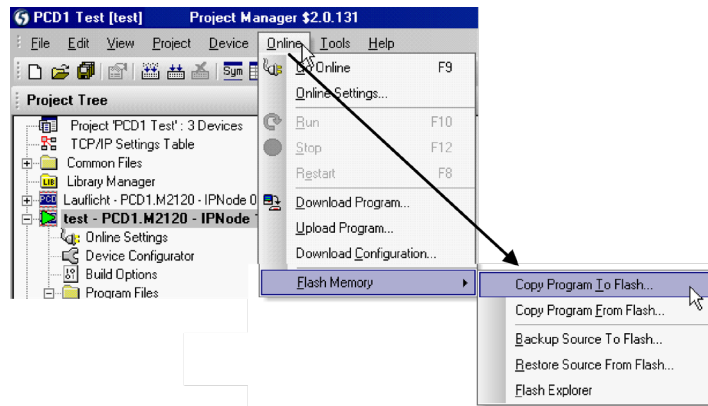
Once the download has been successfully completed, start the PCD:

After the system restart, the user program and ROM DB/text are transferred into the execution memory. This is a write-protected memory, which does not need to be backed up; all data is stored in the PCD file system.

3.11.2 Backup and Restore User Program

Backup with PG5

Select a backup with
“Copy program to flash...”



3

Since the user program is already stored in the on-board flash memory, only the RAM DB/text data from the on-board flash memory is backed up in the folder PLC_SYS. This folder is not visible for the user. Access is not permitted.



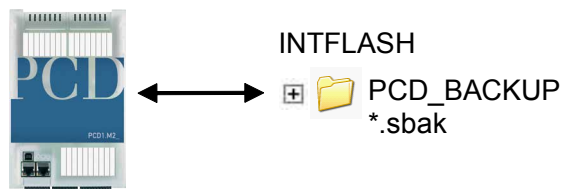
Registers, flags, timer and counters are not saved in this manner.

During a restore, the text/DB data is copied back into the SRAM memory.

Backup to the INTFLASH file system

In order to be able to use backup/restore with internal flash, a PCD_BACKUP folder must be created.

RAM DB/text data is stored in the internal PCD_Backup folder. This allows the backup files to be accessed via the FTP server and then uploaded to a PC.

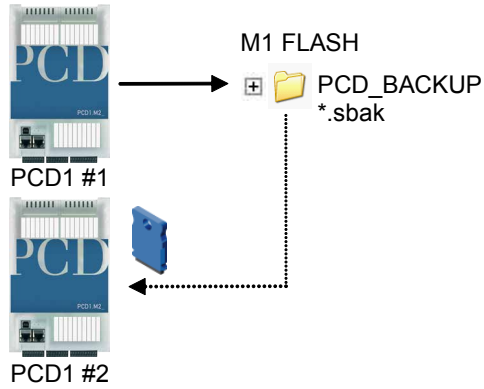


Backup to flash memory modules

For the use of “backup/restore” on the internal FLASH, a folder name PCD_ BACKUP must be created.

Backup to M1 flash
Please note that the M1 flash must be deleted beforehand.

When using use of the backup function to M1 modules, no other files should be written to the module.



3

Please note that a 512 kByte user program and 128 kByte RAM DB/text will generate a file of approximately the same size.

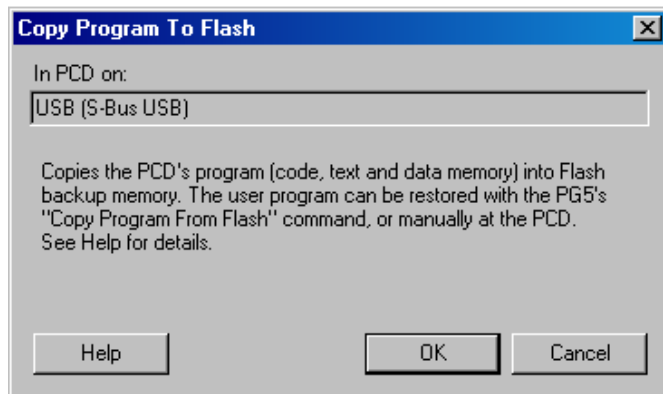


Limitations:

Files generated cannot be copied directly from one folder to another! These files may not be deleted from the original folder or renamed. If they are, the restore function will no longer work correctly in this case!

The following window will appear.

Click OK to start the backup process.



Restoring user program and DB/text

Two options are available:

- With the PG5 under “Online → Flash memory → Restore source of flash” or
- By pressing the “Run/Stop” button for at least 3 - 5 seconds in RUN mode.
ATTENTION: If the button is pressed for longer than 10 seconds, there is the risk of resetting the system and/or deleting the memory.

3

The CPU searches memory locations for backup files in the following order:

1. M1 Flash
2. INTFLASH
3. PLC_SYS

4 Inputs and Outputs

This chapter describes the inputs and outputs of the PCD1.M2_ in terms of their function and pin assignment.

Three possible locations for inputs and outputs are described. These are

- On-board
- As plug-in modules
- On RIOs

4

4.1 On-board

On-board means mounted “on the CPU mother-board”

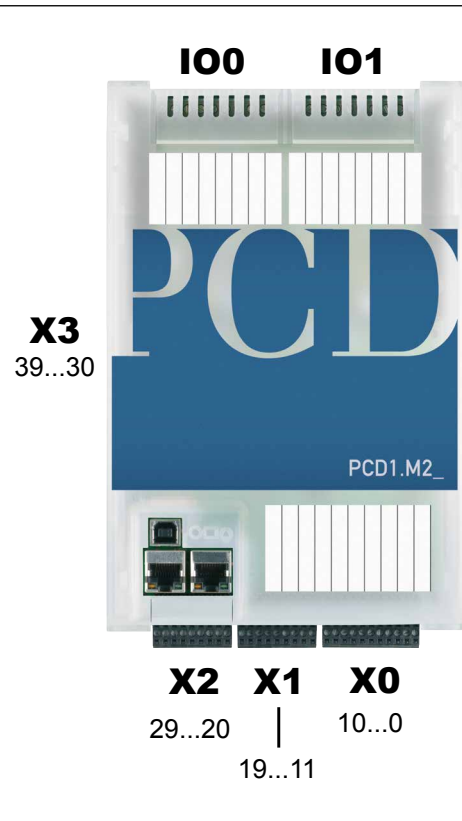


In the following overview IO0 and IO1 are slots for plugging in expansion modules. The descriptions of plug-in modules can be found in chapter 4.3.

4.1.1 Connection overview

X0		
0	PGND	
1	Uext	+24 V external
2	PWM0	PWM0 or Output 8
3	Out 0	Output 0
4	Out 1	Output 1
5	Out 2	Output 2
6	Out 3	Output 3
7	IO4	Input or Output 4
8	IO5	Input or Output 5
9	IO6	Input or Output 6
10	IO7	Input or Output 7

X1		
11	In 0	Input 0
12	In 1	Input 1
13	In 2	Input 2
14	In 3	Input 3
15	IX0	Interrupt or Input
16	IX1	Interrupt or Input
17	AGND	
18	AIN0	Analogue Input 0
19	AIN1	Analogue Input 1



4

X2						
	PCD7.F121S	PCD7.F110S		PCD7.F180S	PCD7.F150S	PCD7.W600
	RS-232	RS-485	RS-422	Belimo	RS-485 isol.	4xAO (0..+10V)
20	PGND	PGND	PGND	PGND	PGND	PGND
21	TxD	Rx-Tx	Tx	MP	Rx-Tx	A0+
22	RxD	/Rx-/Tx	/Tx	“MFT“	/Rx-/Tx	A0-
23	RTS		Rx	“IN“		A1+
24	CTS		/Rx			A1-
25	PGND	PGND	PGND	PGND	PGND	PGND
26	DTR		RTS			A2+
27	DSR		/RTS			A2-
28	COM		CTS		SGND*	A3+
29	DCD		/CTS			A3-

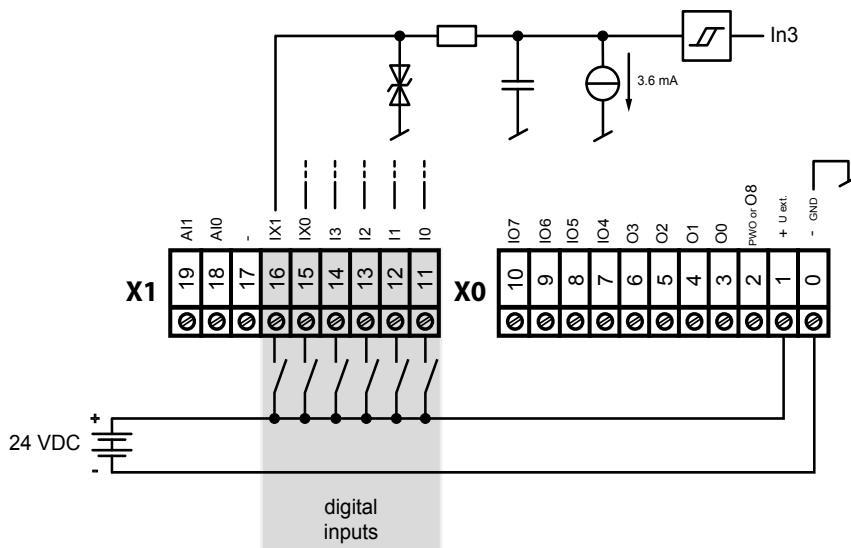
* SGND is signal return for Rx-Tx-/Rx-/Tx signals and is isolated from PGND

X3		
30	+	+24 VDC
31	+	
32	+	
33	-	0 VDC
34	-	
35	WD	Watchdog relay or Output 9
36	WD	Watchdog relay
37	-	PGND
38	/D	RS-485 up to 115.2 kbit/s
39	D	Profi-S bus up to 187.5 kbit/s

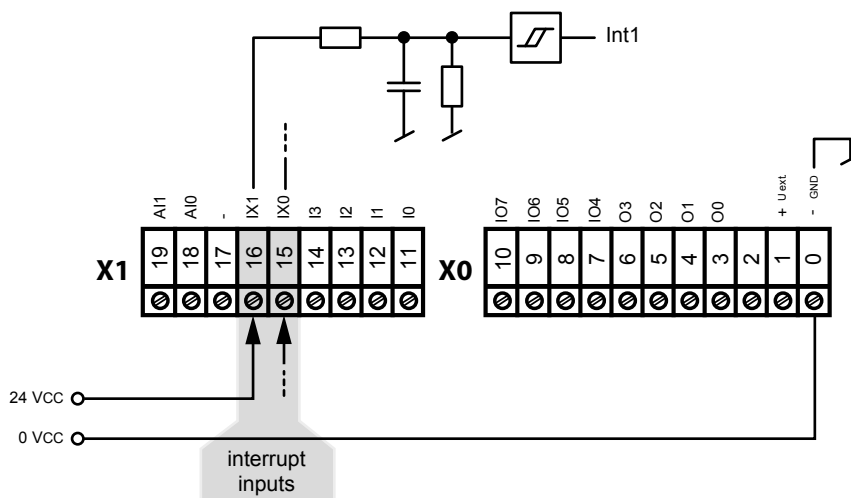
4.1.2 Digital Inputs (Terminal Block X1)

Number of inputs	4, source operation, electrically connected
Input voltage	Typ. 24 VDC (15...30 VDC)
Input current	Typ. 3.6 mA at 24 VDC
Input delay	Typ. 3 ms
Surge protection	No
LED	No
Terminals	Plug-in screw terminal block

4



Terminal numbers 15 and 16 can be used either as inputs or as interrupt-inputs (see Section 4.1.6).

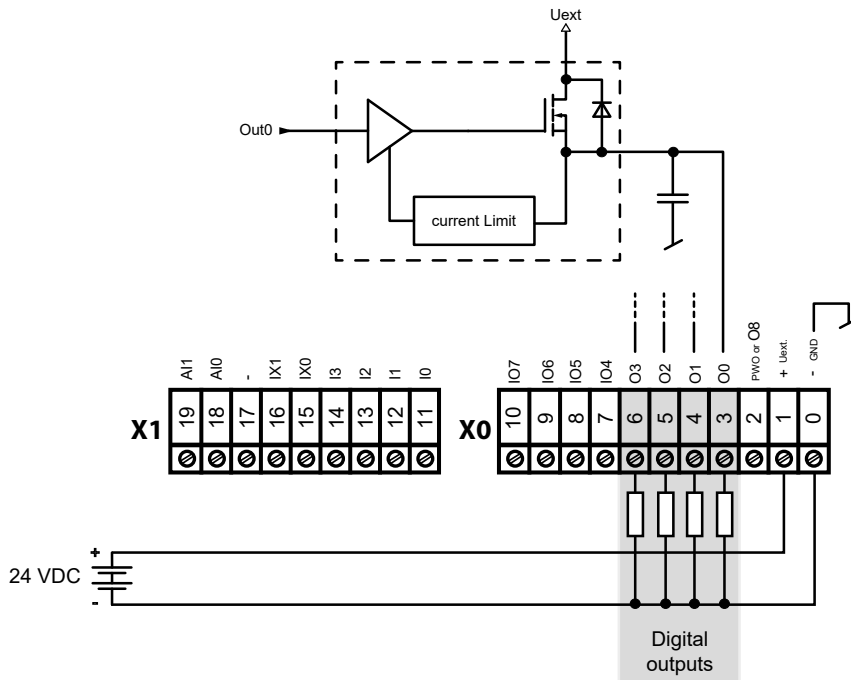


Input signals (always source operation):
 H = 15...30 V
 L = - 30...+ 5 V or unconnected

4.1.3 Digital Outputs (Terminal Block X0)

Number of outputs	4
Voltage range	24 VDC (12...32 VDC) smoothed
Output current	Max. 0.5 A
Output delay	typ. 50 μ s, max 100 μ s at ohmic load
Contact protection	Transistors
LEDs	No
Connections	Plug-in screw terminal block

4



4.1.4 Digital Inputs and Outputs (Terminal Block X0)

Terminal numbers No. 7 to No. 10 on Terminal Block X0 can be used as either inputs or outputs. Configuration takes place in the Device Configurator. Depending on the configuration, the technical data corresponds to that of a normal digital input or output:

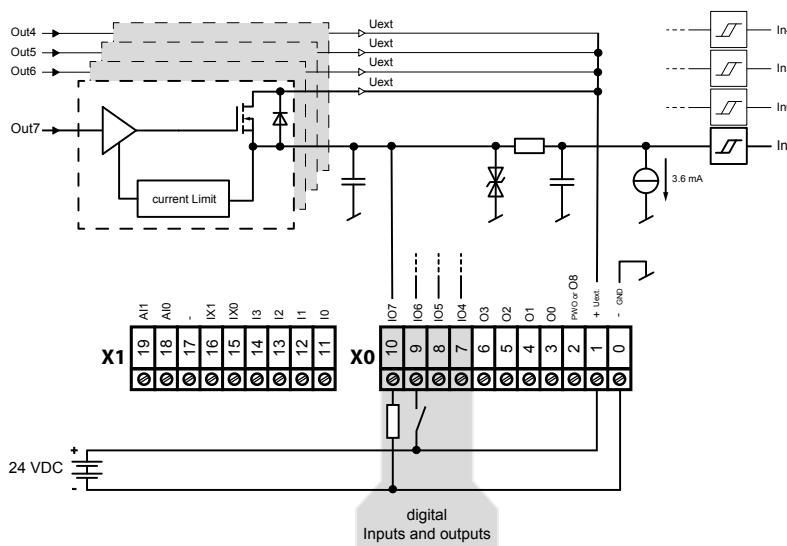
Configured as an input:

Input type:	Source operation, electrically connected
Input voltage:	Typ. 24 VDC(15...30 VDC)
Input current:	Typ. 3.6 mA at 24 VDC
Input delay:	Typ. 3 ms
Surge protection:	No
LEDs	No
Connections	Plug-in screw terminal block



Configured as an output:

Short-circuit protection	Yes
Voltage range	24 VDC (12...32 VDC) smoothed
Output current	Max. 0.5 A
Output delay	Typ. 50 µs, max 100 µs at Ohmic load
LEDs	No
Connections	Plug-in screw terminal block



NOTE: Subject terminal block X0

The terminal Uext serves to feed the outputs to terminals 7 ... 10th

If at least I / O 4 ... 7 operated as a receipt, the following must be considered:

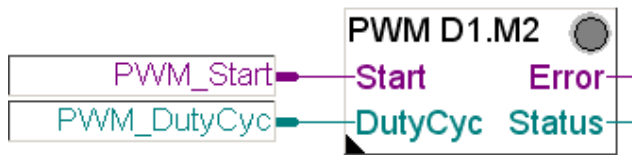
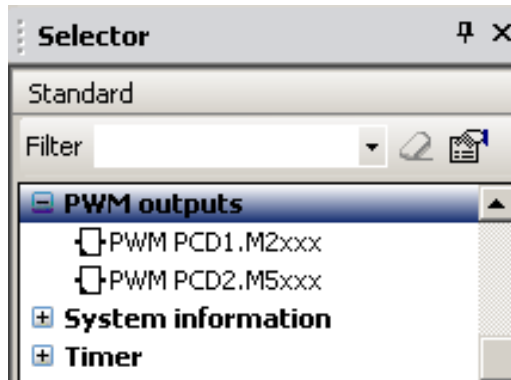
If this external supply U ext which outputs the power off and the inputs I / O 4 ... 7 is still tension on the supply voltage of the outputs O 0, ... 3 and I / O 4 ... 7 via the built-in output transistor of the I / Os diode fed back and would feed the device connected to the output load.

4.1.5 PWM Output (Pulse width modulation) (Terminal Block X0)

Terminal no. 2 on Terminal Block X0 can be used either as a normal, digital output or as a PWM output. Configuration takes place in the Device Configurator.

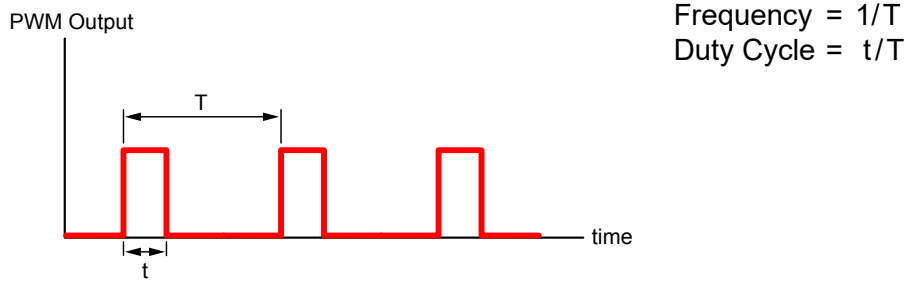
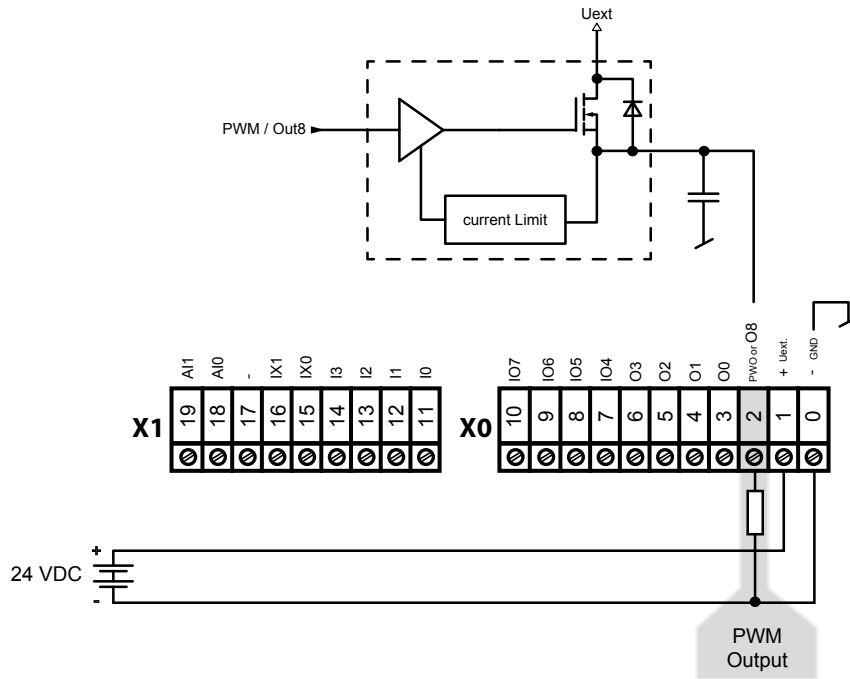


There is an FBox for the using of the PWM output.



Number of PWM outputs:	1
Voltage range	24 VDC (12... 32 VDC) smoothed
Output current:	Max. 0.2 A
Adjustable frequencies	1 Hz, 4 Hz, 15 Hz, 30 Hz, 61 Hz, 122 Hz, 244 Hz, 488Hz, 975 Hz, 1950 Hz
Duty cycle range	0-100 %
Terminal:	Plug-in screw terminal block

Maximum operating frequency is 2 kHz (rise and fall times are 20 µs).



4.1.6 Interrupt Inputs (Terminal Block X1)

Basic principle

Due to the input filter and the effect of the cycle time, the digital input modules are not suitable for reacting immediately to events or fast computing processes. Some CPUs have interrupt inputs for this purpose.

If a positive flank is detected at an interrupt input, the corresponding XOB (e.g. XOB 20) will be called. The code in this XOB defines how the unit should react to the event, e.g. increment a counter.

4



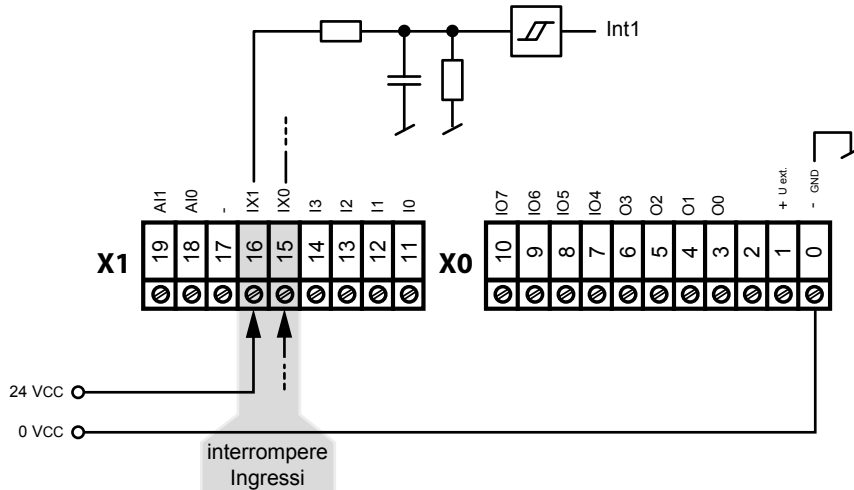
The code in XOBs, which is called by interrupt inputs, must be as short as possible so that sufficient time remains between the interrupts in order to process the rest of the user program.



Many FBoxes are intended for cyclical calling and are not suitable for use in XOBs, or are only suitable to a limited extent. Exception: The FBoxes of the Graftec family (standard library) are well-suited.

PCD1 Interrupt Inputs 24 VDC

Both interrupt inputs are located on the main circuit board and can be connected through the 9-pin plug-in Terminal Block X1 (Terminals 15 and 16). Source operation is always used.



I segnali di ingresso H = 15...30 V
(sempre logica positiva): L = - 30...+ 5 V o non collegato

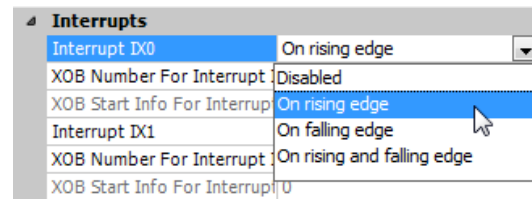
Interrupt assignment

Terminal	Caption	Interrupt	Called XOB
15	IX0	Int0	XOB 20
16	IX1	Int1	XOB 21

Signal edge selection

The signal edges that causes the associated XOB to be called is selected as follows:

- PG5 Device Configurator
- Onboard In-/Outputs
- Properties
- Interrupts



4

Operation IX0 (also applies for IX1)

XOB 20 is called when the selected signal change is detected on IX0. The maximum reaction time until the call of XOB 20 is 1 ms. The code in this XOB defines how the system should react to the events, e.g. by increment a counter (max. input frequency 1 kHz, whereas the pulse/pause ratio is 1:1, maximum sum of the two frequencies is 1 kHz).

4.1.7 Analogue Inputs (Terminal Block X1)

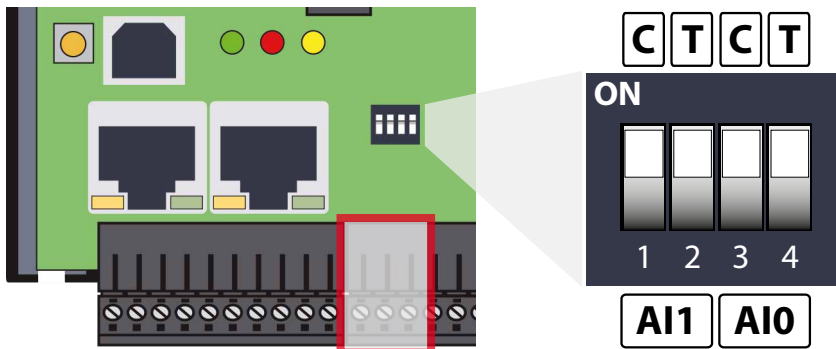
Number of inputs:	2
Galvanic separation	No
Signal ranges:	-10...+10 V (12 bit + prefix) -20...+20 mA (12 bit + prefix) RTD (12 bit)
Connection technology for sensors	2-wire (passive input)
Measurement principle:	One-sided
Input resistance:	±10 V Range: 240 kΩ ±20 mA Range: 125 Ω
Input filter:	typ. 5 ms
Input range for temperature sensors	PT1000: -50...+400 °C NI1000: -60...+200 °C NI1000 L&S: -30...+140 °C Resistance 0...2.5 kΩ
Precision at 25 °C:	± 0.5 %
Temperature sensor(0...+55°C):	± 0.25 %
Overload protection:	±10 V Range: ± 35 V (39 V TVS diode) ±20 mA Range: ±40 mA
LED	No
Terminals	Plug-in "pressure" 10-pin terminal block, 3.5 mm for wiring up to 1 mm ²



On delivery, preconfigured for -10...+10 V (12 bit + prefix).

Configuration of the analogue input channels:

As shown in the following illustration, the analogue input range is selected with configuration switches.



		U	C	T
AI0	SW1	3 OFF4 OFF	3 ON4 OFF	3 OFF4 ON
AI1	SW1	1 OFF2 OFF	1 ON2 OFF	1 OFF2 ON

The following ranges are supported:

Voltage	±10 V	Both switches off (see Channel 0 configuration above)
Current	±20 mA	Switch "C" on, switch "T" off (see Channel 1 configuration above)
Temperature/resistance		Switch "T" on, switch "C" off (see Channel 2 & 3 configuration above)

Definition for range, over-range/under-range and status flag:

Temperature inputs:

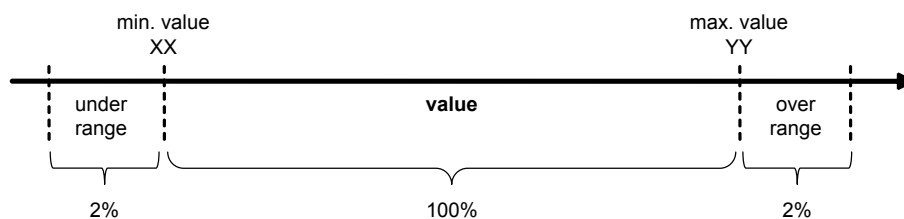
Model	min./max. Status flag	Value Range
Pt 1000 (-50...400 °C)	-500 / 4000	Limits -500...4000
Ni 1000 (-50...210 °C)	-500 / 2100	Limits -500...2100
Ni 1000 L&S (-30...140 °C)	-500 / 1400	Limits -300...1400

Each time the min./max. values are reached, the min./max. status flag is set.

Resistance, voltage and current inputs: The overall value range is defined by the range type:

Model	min./max. Status flag	Range of the calculated values
Resistance 0...2500 Ω	0...25000 Min. Flag not set	Limit exceeded 25500 (25000+2%)
Voltage input (-10...+10V)	Xx / yy	102% of the defined range
Current input (-20...+20mA)	Xx / yy	102%

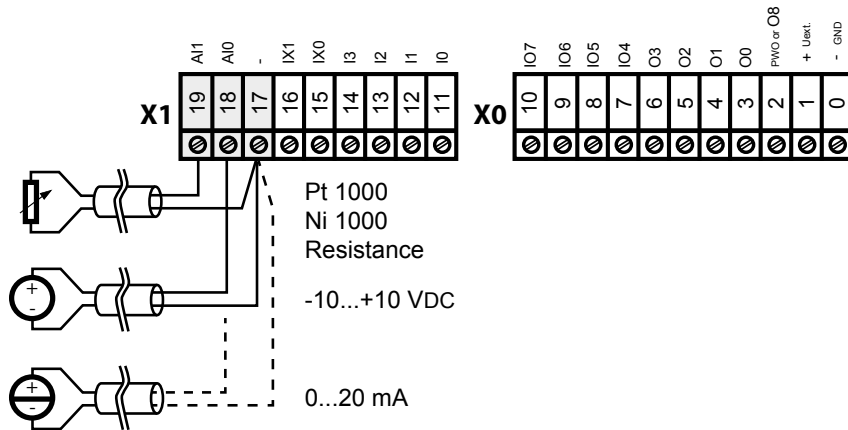
Each time the min./max. values are reached, the min./max. status flag is set.



The status flag remains set until the status has been read. With media mapping the status flag is read at the end of each COB. This means that the status flag is reset at the end of each COB.

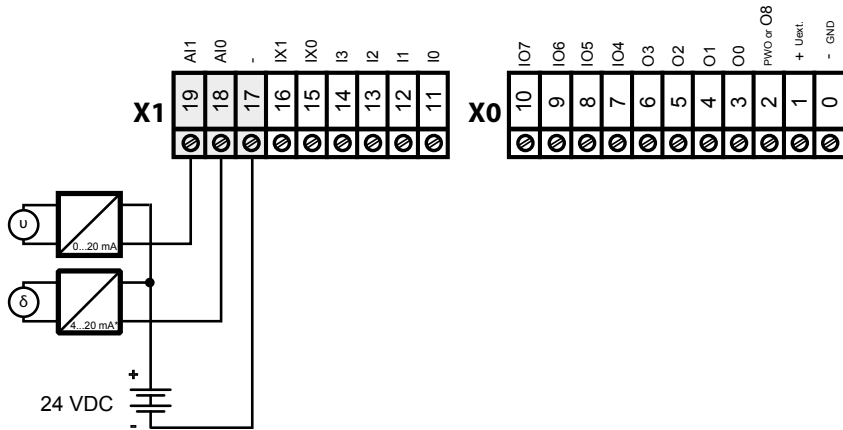
With direct access, the status flag is reset as soon as the user program reads the status flag.

Connection concept



4

Connection concept for two-wire transmitters



* 4..20 mA through the user program
or in the PG5 → Device Configurator → Media Mapping

4.2 Plug-In I/O Module for slot A

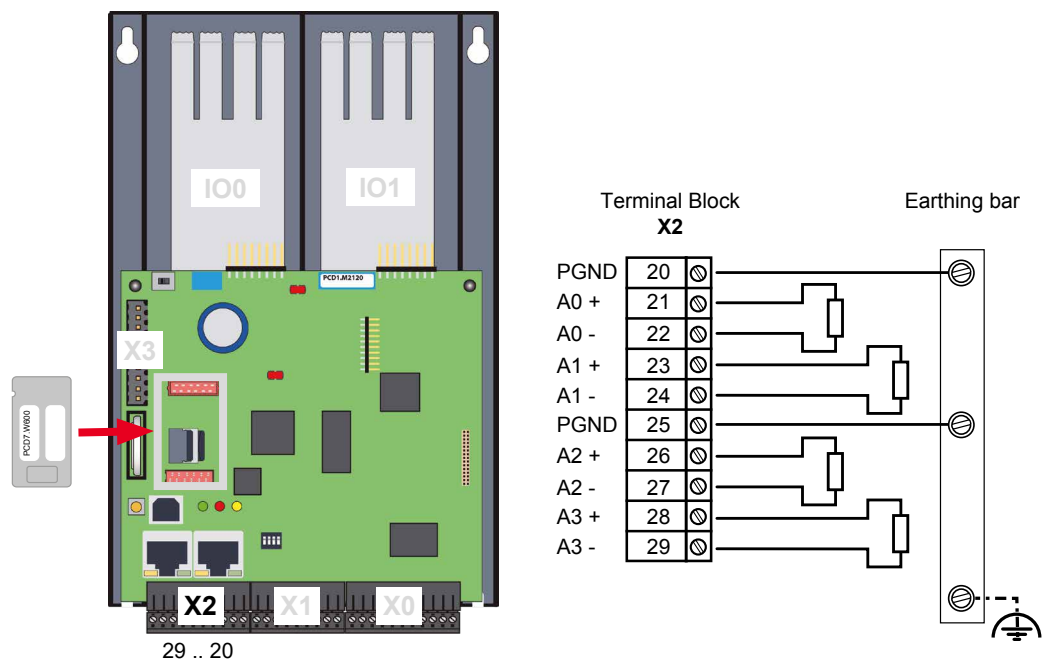
4.2.1 Analogue outputs

PCD7.W600 4 analogue outputs with 12 bits resolution

This analogue outputs module (0 to +10 V) can be plugged on the socket A of a PCD1.M0_ / .M2_ instead of a communication interface.

The configuration of the outputs takes place in the Device Configurator like on-board I/O's

4



General specifications

Technical data	
Module compatibility	PCD1.M2xxx, PCD1.M0160E0, PCD1.M2110R1
Module current consumption	V+ 25 mA / +5 V 30 mA
Number of outputs	4
Terminals	1 plug-in screw terminal block, 10-pole, 3.5 mm for wiring up to 1 mm ²
Isolation	No isolation between channels and/or PCD
Output signal range & resolution	With D/A converter 12 bits Nominal range: 0...+10 V Resolution 2.6 mV of least significant bit (LSB)
Monotonicity	Yes
Output impedance (max.)	0.7 Ω
Allowable load resistance	≥3 kΩ
Allowable capacitive load	≤20 nF

Allowable types of load	Floating or grounded (the minus of the outputs is internally connected with the PCD ground system)
Short-circuit protection	YES permanent
Accuracy @25 °C	±0.2 % of the full scale (10 V)
Temperature coefficient	±100 ppm/K of the full scale (10 V)
Accuracy over full temperature range (0..+55 °C)	±0.5 % of the full scale (10 V)
Maximum temporary deviation during electrical interference test	±0.2 % of the full scale (10 V) for fast transient burst (EN 61000-4-4) & for radiofrequency interference (EN61000-4-6)
Settling time for full-range change	≤5 ms
Overshooting	±0.1 % of the full scale (10 V)
Scaling (PG5)	0..4095, 0..10000 or user defined

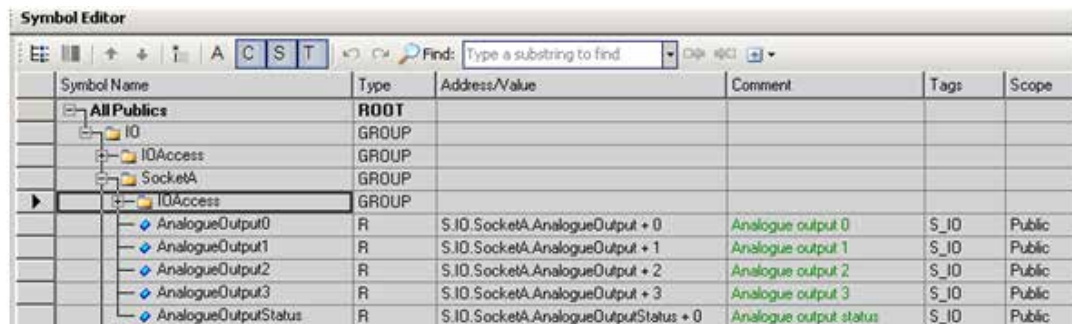
Prerequisite

PCD firmware version 1.23.39 or higher

PG5 version 2.1.300 or higher

Programming with media mapping

When the media mapping is enabled, each module has these following registers:



The analogue values shall be directly written in the AnalogueOutputx registers. Each channel will be updated after the last COB.

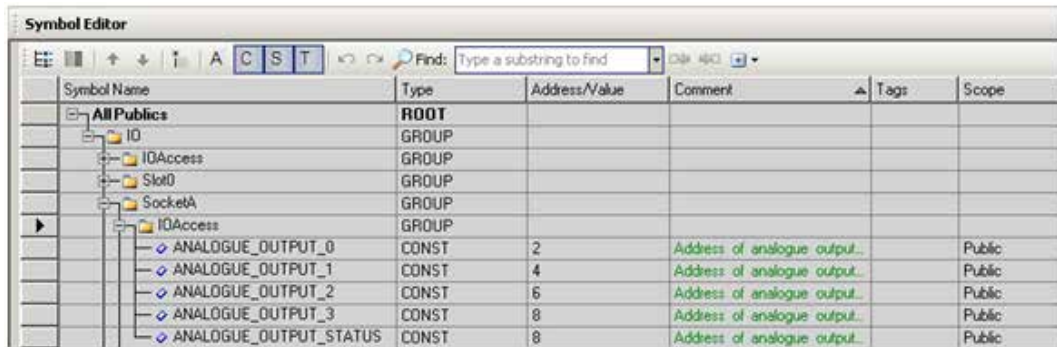
The status register is updated before the first COB is executed.



When using media mapping, it is not possible to detect which channel has not been updated in case of error in the status register.

Programming with direct access

The module allows direct access with WRPW commands.



4

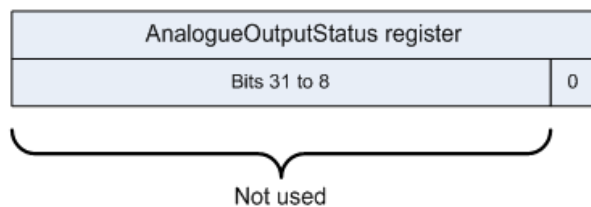
Here an IL program example to write an analogue value to the output0 and to read the diagnose register.

```

WRPW  IO.SocketA.IOAccess.ANALOGUE_OUTPUT_0
R 99

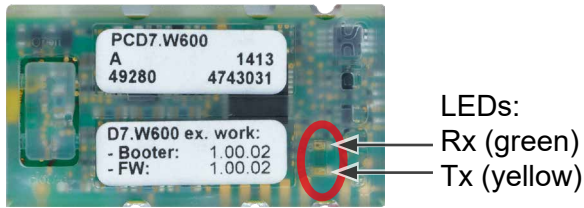
RDPB  IO.SocketA.IOAccess.ANALOGUE_OUTPUT_STATUS
R 100
    
```

With direct access, it is possible to know which channel has not been correctly updated if the status register is read direct after the Write command.



Bit	Status	Description
0	1	if a communication error has been detected (between PCD and module) This bit is automatically cleared when the status register is read

LEDs and his Importance



The LEDs Rx/Tx blink when the module is communicating with the PCD.

- They can be permantly activated if media mapping is used or
- Shortly blink with direct access.

4

Module detection

If the module is not plugged, there is a history entry.

```

Saia PG5 Online Debug
File Online Tools Options Help
Stn: 0 Type: PCD1.M2120 FW: 1.23.19.2 Status: RUN
-----
Fix0 3000 IR OVERFLOW 0 0 15/10/2013 08:33:09
Fix1 3001 ERROR FLAG 0 0 15/10/2013 08:33:09
-----
0001 1002 POWER-ON 15/10/2013 08:33:25
0002 5110 PCD7.W600 on Port 0 not Present 15/10/2013 08:33:26 <
-----
Run Stop Display Write Batch Clear rEstart Locate Print File Help
cOnnect broadcast Quit

```

If you need to detect if the module is plugged or not in your program code, you can use the following function:

```

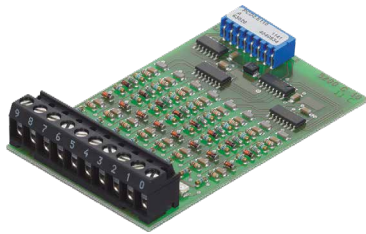
CSF S.SF.SYS.Library ;Library number
S.SF.SYS.ReadDeviceInfo ;Read Device Information
K 2 ;1 R|K IN, Device Port (1 IO Bus 2 Extension)
K 22 ;2 R|K IN, Device ID
K 0 ;3 R|K IN, Slave ID
RStatus ;4 R OUT, Status
TASN ;5 TEXT OUT, ASN
THWVrs ;6 TEXT OUT, HW version
RHWModif ;7 R OUT, HW modif
TFabDate ;8 TEXT OUT, Fabrication Date (ww/yy)
RSerNum ;9 R OUT, Serial Number
TFWVersion ;10 TEXT OUT, FW version

```

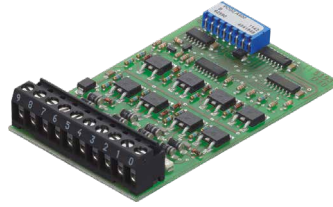
If the module has been correctly plugged, the status value is a positive number and all device information can be read. If the module has not been correctly plugged or simply not plugged, the returned value is negative.

4.3 Plug-In I/O Modules for slot IO0 and slot IO1

The plug-in I/O modules are identical to those of the PCD2.M5xxx.



PCD2.E110



PCD2.A400

etc.

4

The descriptions of the modules are found in the document «27-600 ENxx Manual IO-modules»

4.4 RIO (Remote I/O)

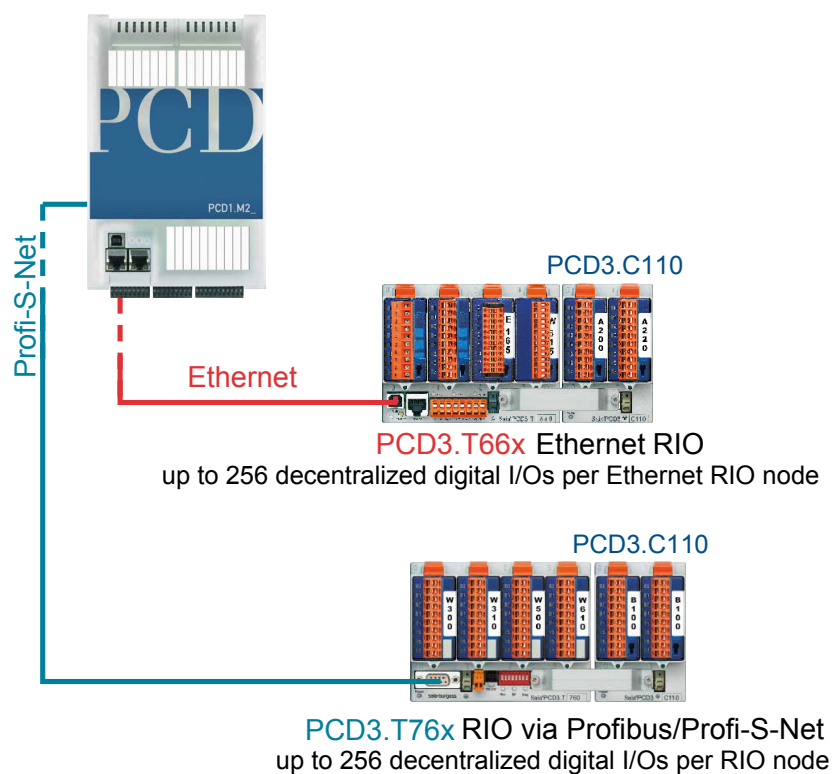
PCD3.RIO (Remote I/O) modules are recommended for remote input and output extension via Ethernet or Profibus (see also Manual 26-789).

PCD3-RIOs are used to detect remote I/O signals. PCD3.RIOs can communicate with all master PCDs via Profibus DP; this can take place through the integral Profi-S I/O on the PCD1.M2_.

A detailed description is found in Section 4 of the PCD3 manual 26-789.

4

PCD1 remote RIO node head stations



Extension with PCD3.T66x RIOs is possible with PCD1.M21x0.
Extension with PCD3.T76x RIOs is generally possible with PCD1.M2_ series.

5 System Cables and Adapters

System Cables with I/O Module Connections to the PCD

To eliminate sources of error and save time, various pre-configured cables are available. The module plug is already mounted at the end of the cable. Consequently, that end only has to be plugged in. Depending on type, the other cable end will either have a flat cable connector for the terminal adapters or relay interface, or alternatively individual 0.5 mm² or 0.25 mm² wires, numbered and colour-coded.



Cables with various connection technologies are described in the Manual 26-792 "System Cables and Adapters".

6 PCD1.M2_ Communications Interfaces

The word “port” will be used for the remainder of this manual instead of “communications interface” for the purpose of simplification.

Using the SBC S-Bus



S-Bus stands for the proprietary communications protocol of Saia PCD®



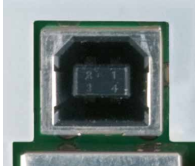
The SBC S-Bus is basically designed for communications using the engineering and debugging tools, as well as for connection to management levels/process control systems. It is not suitable or approved for connecting the field devices of other manufacturers. An open, vendor-neutral field bus is more appropriate for this purpose.

6

6.1 On-board

When we use the term “On-board”, we mean the CPU board. In other words, the term “On-board interfaces” means interfaces already available on the CPU board or in preparation for it.

6.1.1 PGU (USB Port) Programming Interface

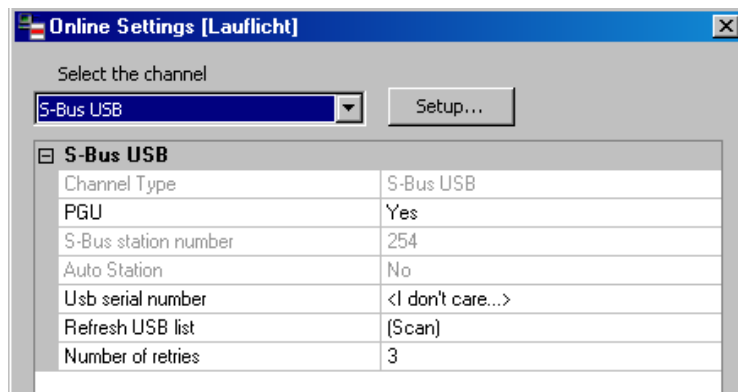


Plug:	Standard vertical USB series B (device plug)
Default :	USB 1.1 device (slave), full speed 12 Mbps, with Softconnect
Protection:	transil
Hardware:	On-board USB 5V supply

6

The USB port is only used as a PGU interface. To use the USB interface, the program package PG5 version 2.0 or later must be installed on the PC.

If the PCD is connected to the PC for the first time through the USB port, the PC operating system (Windows) automatically loads the corresponding Saia PCD® USB driver. To connect the PCD via USB, the following setting is required in the PG5 project folder for the device concerned under “Online settings”:



Activating the “PGU option” ensures that the PCD connected to the PC can be reached directly, independently of the configured S-Bus address.

6.1.2 Ethernet (Port #9)

A new 10/100 Mbits switch, which automatically adapts to the two speeds, is used for these Ethernet connections. Both sockets can be used independently of one another.



ETH1 ETH2

Function: 2 port switch

6

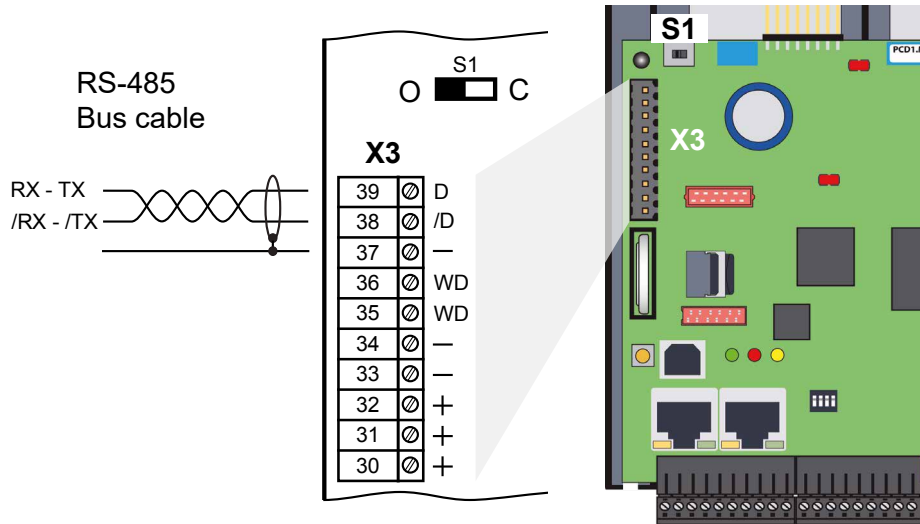
Jack type: 2 RJ45s vertically positioned, metal housing, 2 LEDs each

Meaning of the LEDs per jack:

Orange LED	Link (connection) and activity
Green LED	Speed Off = 10Mbits / On = 100 Mbits

6.1.3 RS-485 (Port #0) not electrically isolated, terminal block X3

In S-Bus, Modbus or MC4 communications mode, an RS-485 link can be established via port 0 with terminal block X3, terminals 38 and 39



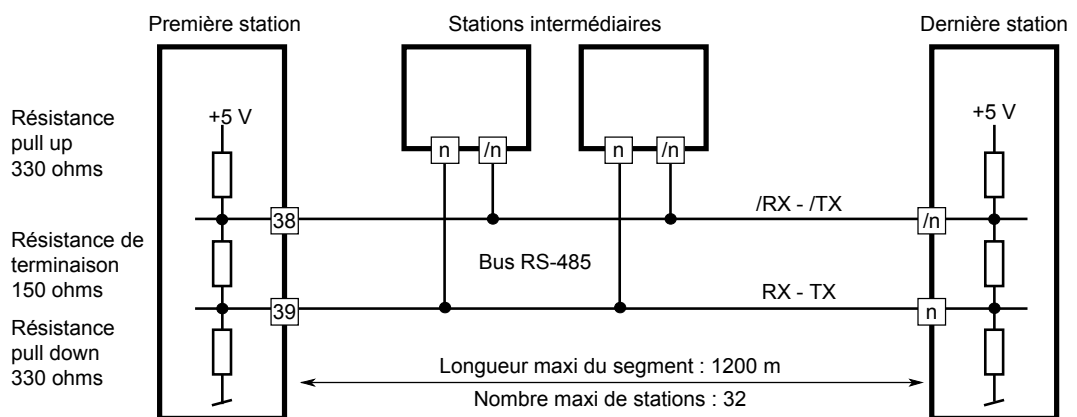
6

Switch S1, connecting or disconnecting the RS-485 termination resistors



With switch S1, the terminating resistors are switched on or off. Switch S1 must be set to “C” (closed) at both outer stations. For all other stations switch S1 remains in the position “O” (factory setting).

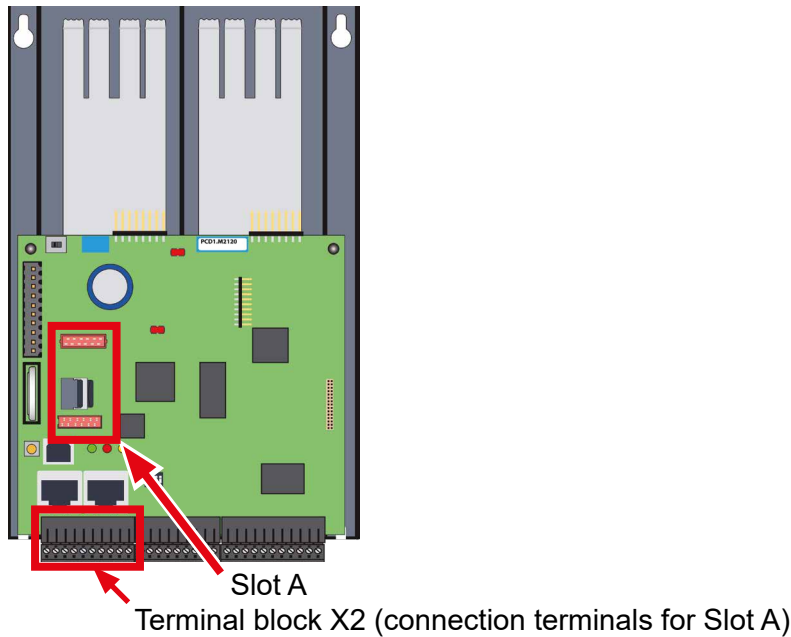
Schematic diagram of an RS-485 bus with terminating resistors.



For more details see in the Manual 26-740, Installation components for RS-485 Networks.

6.2 Slot A (Port #1) terminal block X2

Only PCD7.F1xxS modules are supported on the PCD1.M2_.



6



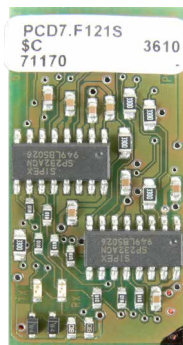
Older interface modules without “S” at the end of the product designation (e.g. PCD7.F110) are not compatible with PCD1.M2_.

Overview of the interface types:

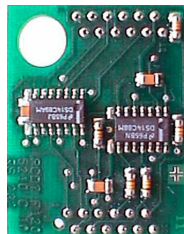
**PCD7.F1xxS
with housing,
2012 or later**



**PCD7.F1xxS
previous design**



**PCD7.F1xx not
compatible with
PCD1.M2_**



Important: PCD7.F1xxS devices with hardware version A are not compatible with earlier PCDs (PCD1.M1xx/PCD2.M1xx/PCD2.M48x/PCS1) from NT- based PCD systems.

Malfunction

If interface modules of the PCD7.F1xxS series (hardware version A) are used with the following devices, the interface modules will become hot and their correct function cannot be guaranteed.

- PCD1.M1xx
- PCD2.M1xx
- PCD2.M48x
- PCS

The hardware version can be seen on the white label of a PCD7.F1xxS module in the middle text line.

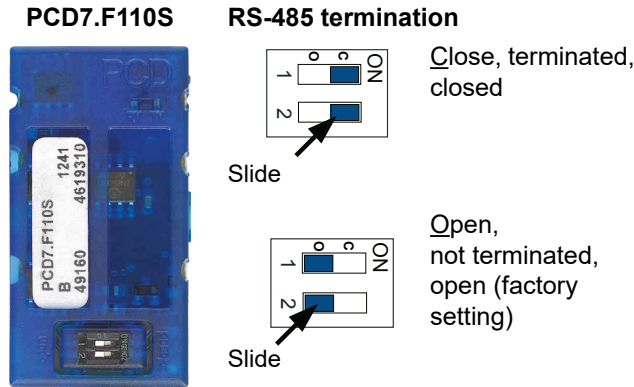
6

Solution

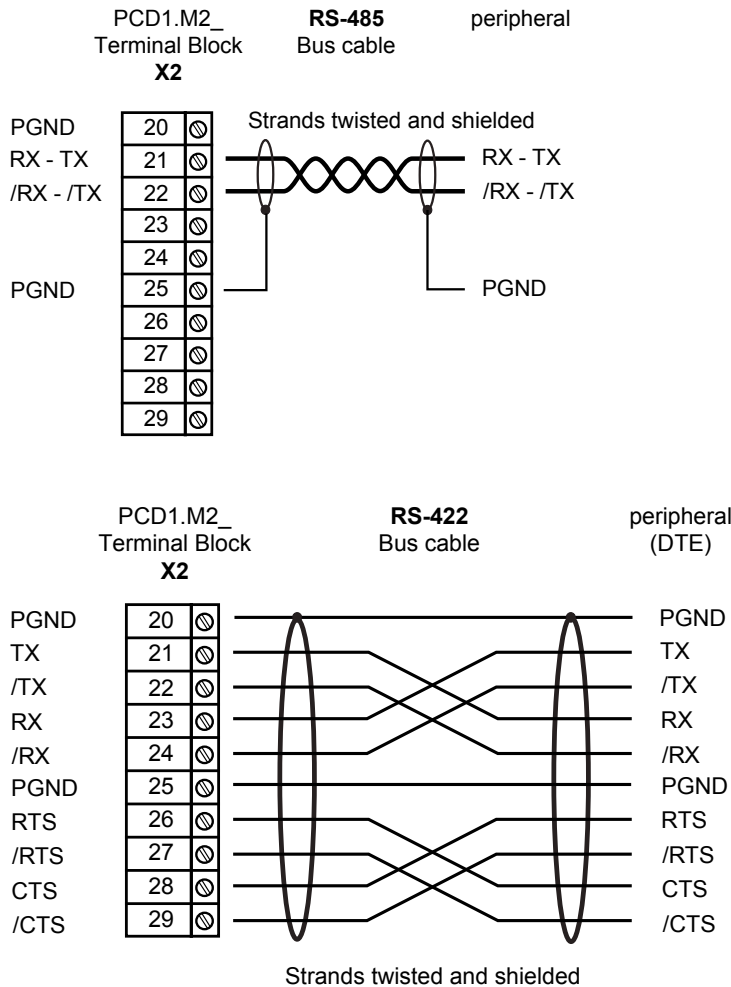
Only use PCD7.F1xxS interface modules PCD7.F1xxS with hardware version B or newer. These are suitable for all PCD generations.

6.2.1 RS-485/RS-422 PCD7.F110S Serial Interface Module

Termination resistors can be connected (CLOSED) or disconnected (OPEN) with slide switches.



Plug assignment:



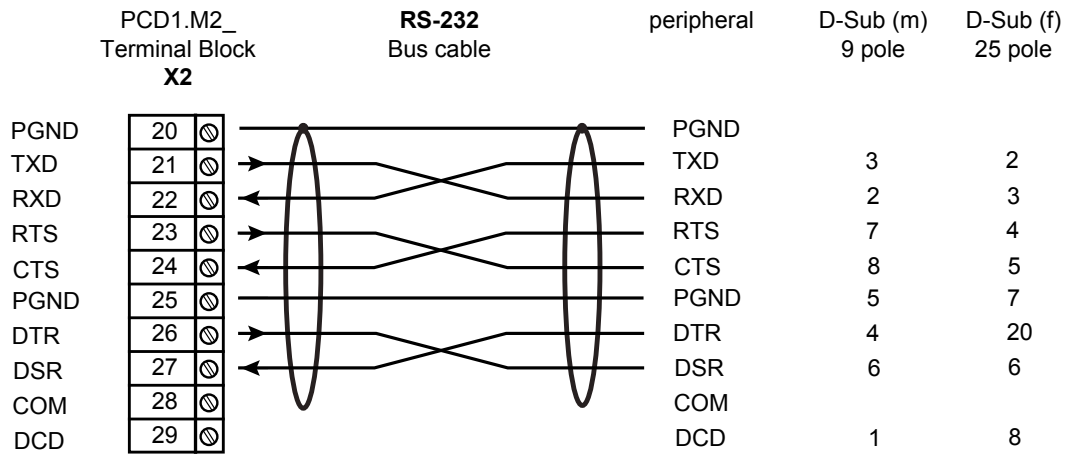
For more details see the Manual 26-740 "Installation components for RS-485 Networks".

**6.2.2 RS-232 up to 115 kBit/s, suitable for Modem Connection
PCD7.F121S Serial Interface Module**

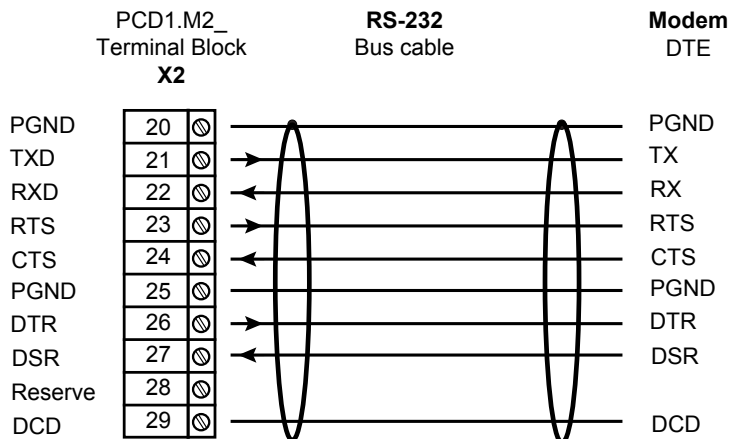
PCD7.F121S



Standard Cabling:

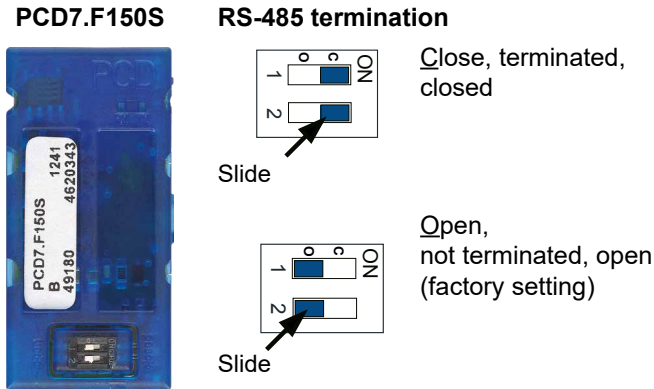


Cabling for Modem connection:



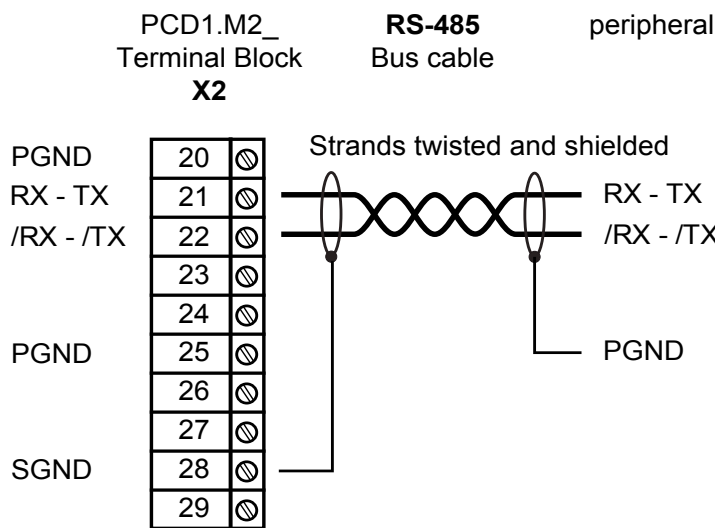
**6.2.3 RS-485 electrical isolation
PCD7.F150S Serial Interface Module**

Electrical isolation is achieved with three optocouplers and a DC/DC converter. Data signals are protected against overvoltage with an anti-surge diode (10 V). Termination resistors can be connected (CLOSED) or disconnected (OPEN) with slide switches.



6

Cabling:



With the use of this module, the permissible ambient temperature is reduced by 5°C.

For more details see in the Manual 26-740, Installation components for RS-485 Networks.

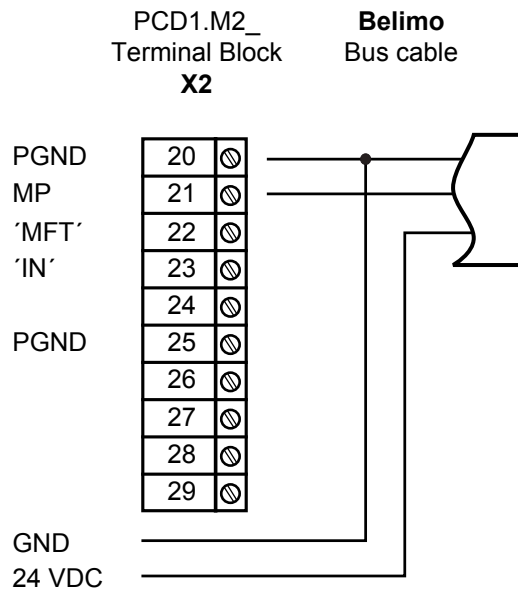
6.2.4 Belimo MP-Bus PCD7.F180S Serial Interface Module

Up to 8 actuators and sensors can be connected.

PCD7.F180S



Cabling PCD1.M2_ :



Cabling MP-Bus device

20	PGND	Earth connection, MP string
21	MP	Multi Point The MP bus is the Belimo master-slave bus. Up to 8 slaves can be attached to one master device. They are: - MFT(2) flap drives - MFT(2) valve drives - MFT fire protection flap drives - VAV compact controller NMV-D2M
22	"MFT"	MFT programming device (MP bus internal)
23	"IN"	MFT programming device recognition (input 10 kΩ, Z5V1)
25	PGND	Earth connection, MFT programming unit

6.3 Serial Interface to I/O Slots

The following plug-in modules for CPU module slots 0 and 1 allow CPU extension with additional communications interfaces.

6.3.1 General Comments about the Plug-In Module PCD2.F2xxx

System properties of PCD2.F2xxx modules:

The following points must be taken into consideration when using PCD2.F2xxx interface modules.

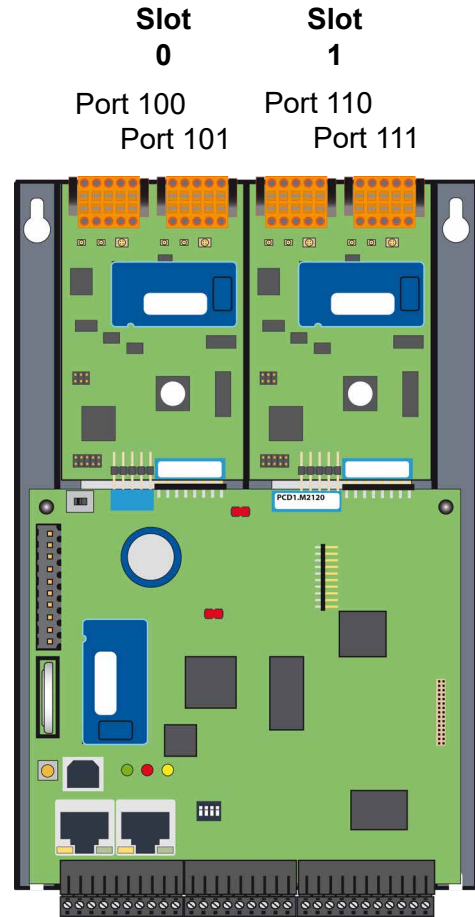
- For each PCD1 system, one PCD2.F2xxx module (with 2 interfaces) can be used per I/O slot. This makes a total of 4 additional interfaces.
- The PCD1.M2_ system has a powerful processor, which handles the application as well as the serial interfaces. Interface module processing demands an appropriate amount of CPU power. To determine the maximum communications performance per PCD1.M2_ system, the following must be considered.
- The volume of communication is determined by the connected peripheral devices. This is the case, for example, if a PCD1 is used as an S-Bus slave station. If a PCD2 controller is bombarded with heavy telegram traffic at high baud rates, less CPU power is available to handle of the actual application. The following rules apply:
 - The use of 6 interfaces with 9.6 kbps take approx. 50% of CPU power.
 - Two interfaces with 57.6 kbps take approx. 50% of CPU power.
 - Two interfaces with 115 kbps take approx. 60% of CPU power.
- If the PCD1 is the communications master (PCD1 used as master station), the PCD1's user program will determine the volume of communication and therefore also its power. Theoretically, all interfaces can be operated with a maximum baud rate of 115 kbps. The effective data delivery rate is reduced by the size of the user program and the number of active interfaces. It is essential to ensure that connected peripheral devices can operate with the selected configuration and communications power..

6.3.2 Communications Ports with PCD2.F2xxx Modules

Slots IO0 and IO1 of the PCD1.M2_ can also be equipped with PCD2.F2xxx interface modules. These slots can be reached with the following port addresses via communications FBoxes (and/or IL commands):

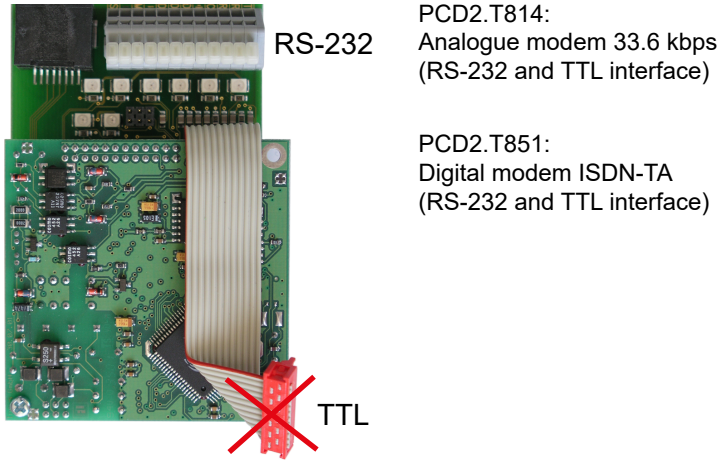
- IO slot 0 with PCD2.F2xxx module
 - Port 100 for the x.0 port
 - Port 101 for the x.1 port

- IO slot 1 with PCD2.F2xxx module
 - Port 110 for the x.0 port
 - Port 111 for the x.1 port



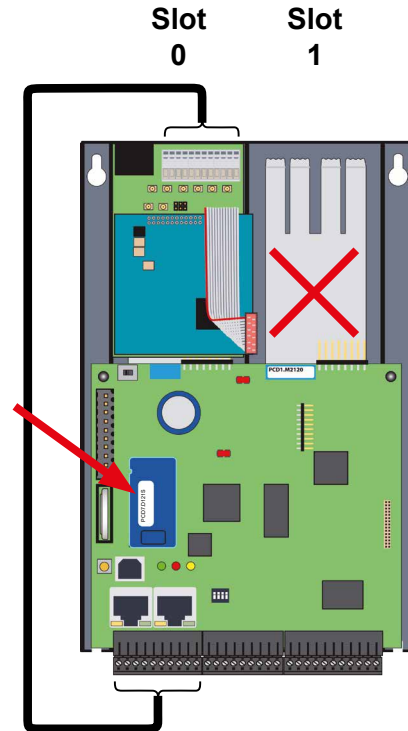
6.4 Modem Communication

Modem module for IO slot 0 (see “RS-232” in the following illustration)



The IO module modem PCD7.T8xx cannot be connected to the PCD1.M2_ through the TTL interface (red ribbon connector). The cable is too short for this.

A solution is possible with the modem’s RS-232 terminal block, by connecting its terminals to a free RS-232 port (modem-compatible). “Slot A” on the PCD1.M2_, fitted with a PCD7.F121S interface module, is ideal for this purpose.



Two modem modules cannot be mounted next to one another.

For installation details, see Manual 26-771 “PCD2.T8xx Modem Modules”



An alternative is the use of external modems, such as the Saia PCD® Q.MS716-KS1 at the serial port “Slot A” with interface module PCD7.F121S.

7 Configuration (PG5 Device Configurator / Device Configuration)

7.1 Requirements

The following description assumes that the user is familiar with the PG5 software. If this is not the case, we recommend reading the Manual 26-733 “PG5, software requirements, PG5 V 2.0” (or later).

7.2 General Information

This chapter describes how the PG5 Device Configurator is used. The Device Configurator defines:

- cyclical media mapping in order to enable a link between peripheral I/O module values and the device resources (e.g. PCD flags and registers).
- direct access to programming instructions, for reading values from and transmitting values to the peripheral input module.

7

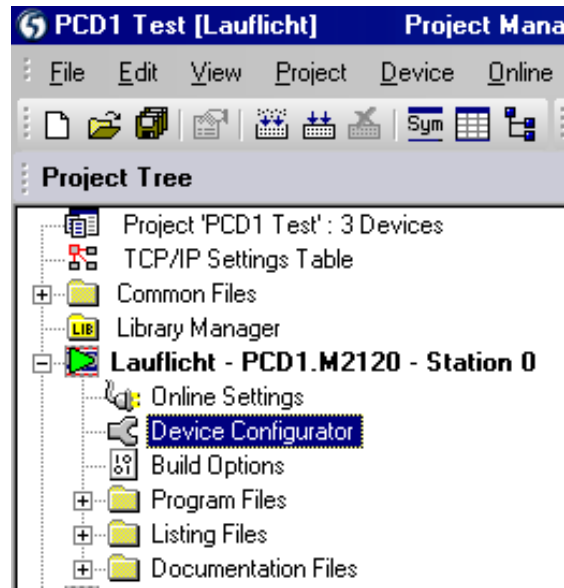


For the PCD1.M2_, I/O handling is always enabled via direct access. There is no “bit” access instruction: the minimum access range is “byte”. You are therefore advised to use media mapping to read and write all I/O channels. For further details, see the online help of the Device Configurator

7.3 Running the Device Configurator

The Device Configurator should be used for setting up the HW configuration, protocols and I/O handling.

The Device Configurator is started by double-clicking on the "Device Configurator" symbol in the project directory tree.



7

Device		
Type	Description	
PCD1.M2120	CPU with xx Bytes RAM, 8/8 digital in-/output, 2 analogue inp	

Ethernet Protocols		
Section	Description	
Transfer Protocols	FTP, HTTP Direct Protocols	
IP Protocols	DHCP, DNS, SNTP, SNMP protocols	

Memory Slots		
Slot	Type	Description
M1		

Onboard Communications		
Location	Type	Description
Onboard	RS-485/S-Net	RS-485 port for Profi-S-Bus or general-purpo
Onboard	USB	Universal Serial Bus port, PGU or general-pu
Onboard	Ethernet	Ethernet port.
Socket A		

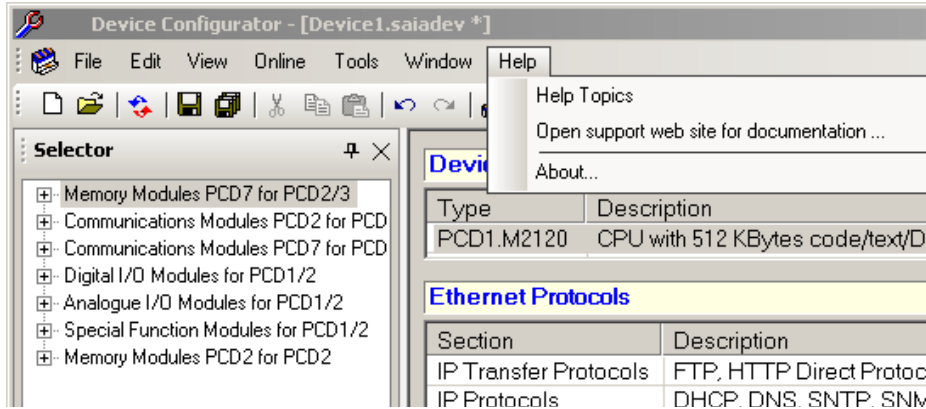
Onboard Inputs/Outputs		
I/O	Type	Description
I/O 0	12 Digital In-/Outputs	4 digital inputs, 15..30VDC, 4 digital outputs, 4
I/O 1	2 Analogue Inputs	2 analogue inputs, -10..+10VDC, 0..20mA, P/N

Onboard I/O Slots		
Slot	Type	Description
Slot 0		
Slot 1		

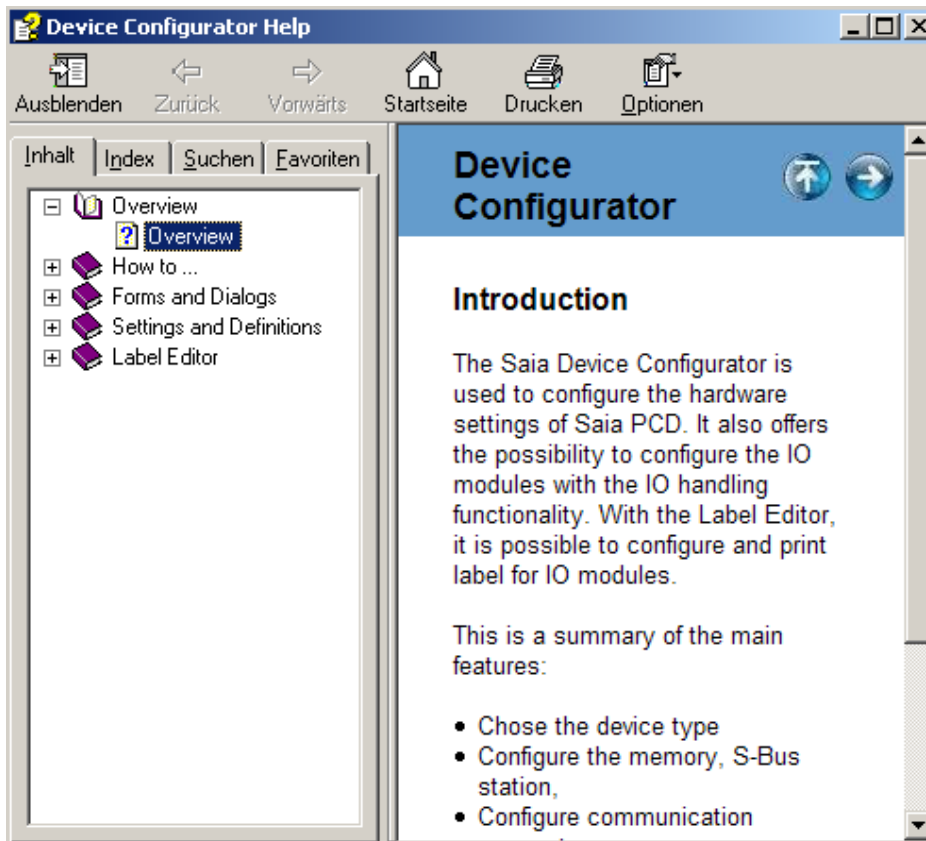
Properties	
Device : PCD1.M2120	
<input type="checkbox"/> Firmware	
Firmware version	From V1.11.39 or more recent and compatible
<input type="checkbox"/> Memory	
Code/Text/Extension Memory	1024K Bytes RAM
Extension Memory Backup Size (Flash)	None
User Program Memory Backup Size (Flash)	1024K Bytes
<input type="checkbox"/> Options	
Reset Output Enable	No
XOB 1 Enable	No
Run/Stop Switch Enable	Yes
<input type="checkbox"/> Password	
Password Enabled	No
Password	
Inactivity Timeout [minutes]	1
<input type="checkbox"/> S-Bus	
S-Bus Support	No
Station Number	0
<input type="checkbox"/> Input/Output Handling	
Input/Output Handling Enabled	Yes
Peripheral Addresses Definition	Auto (recommended)
<input type="checkbox"/> Power Supply	
Current Available 5V [mA]	1400
Current Available V+ [mA]	400
Current Used 5V [mA]	0
Current Used V+ [mA]	0
<input type="checkbox"/> Web Server	
Default Page	start.htm
Display Root Content Enable	Yes
+ Advanced Parameter	No
<input type="checkbox"/> Web Server Ressources	
Time Task Limitation	5
Ram Disk Size	48
+ Advanced Parameter	No
<input type="checkbox"/> Web Server over S-Bus	
S-Bus Web Enabled	No
Number Session	8
+ Advanced Parameter	No

7.3.1 Help

Help for the Device Configurator can be found under “Help Topics” in the “Help” menu:



Click on one of the “Help topics”:



7.3.2 Media Mapping for Digital Inputs (On-Board)

The media mapping of digital inputs uses 16 flags

Media Mapping Digital Inputs	
Media Mapping Enabled For Digital Inputs	Yes
Media Type For Digital Inputs	Flag
Number Of Media For Digital Inputs	16
Media Address For Digital Inputs	16
Flag Symbols Definition for Digital Inputs	(Default)

Mapping table for digital inputs

Symbol Name	Type	Address/Value	Comment	Tags	Scope
ROOT					
IO.Onboard.Digit...	F	16	Digital input 0	S_IO	Public
IO.Onboard.Digit...	F	17	Digital input 1	S_IO	Public
IO.Onboard.Digit...	F	18	Digital input 2	S_IO	Public
IO.Onboard.Digit...	F	19	Digital input 3	S_IO	Public
IO.Onboard.Digit...	F	20	Digital input 4 (usage depends on configuration)	S_IO	Public
IO.Onboard.Digit...	F	21	Digital input 5 (usage depends on configuration)	S_IO	Public
IO.Onboard.Digit...	F	22	Digital input 6 (usage depends on configuration)	S_IO	Public
IO.Onboard.Digit...	F	23	Digital input 7 (usage depends on configuration)	S_IO	Public
IO.Onboard.Statu...	F	24	Status of interrupt input 0	S_IO	Public
IO.Onboard.Statu...	F	25	Status of interrupt input 1	S_IO	Public
IO.Onboard.Statu...	F	26	Status 2 (not used)	S_IO	Public
IO.Onboard.Statu...	F	27	Status 3 (not used)	S_IO	Public
IO.Onboard.Statu...	F	28	Status 4 (not used)	S_IO	Public
IO.Onboard.Statu...	F	29	Status 5 (not used)	S_IO	Public
IO.Onboard.PWM...	F	30	Status of PWM output	S_IO	Public
IO.Onboard.Watc...	F	31	Status of watchdog output	S_IO	Public



7.3.3 Media Mapping for Digital Outputs (On-Board)

The media mapping of digital outputs uses 16 flags

Media Mapping Digital Outputs	
Media Mapping Digital Outputs Enabled	Yes
Media Type Digital Outputs	Flag
Number Of Media For Digital Outputs	16
Media Address For Digital Outputs	0
Flag Symbols Definition for Digital Outputs	(Default)

Mapping table for digital outputs

Symbol Name	Type	Address/Value	Comment	Tags	Scope
ROOT					
IO.DigitalOutput0	F	0	Digital output 0	S_IO	Public
IO.DigitalOutput1	F	1	Digital output 1	S_IO	Public
IO.DigitalOutput2	F	2	Digital output 2	S_IO	Public
IO.DigitalOutput3	F	3	Digital output 3	S_IO	Public
IO.DigitalOutput4	F	4	Digital output 4 (usage depends on configuration)	S_IO	Public
IO.DigitalOutput5	F	5	Digital output 5 (usage depends on configuration)	S_IO	Public
IO.DigitalOutput6	F	6	Digital output 6 (usage depends on configuration)	S_IO	Public
IO.DigitalOutput7	F	7	Digital output 7 (usage depends on configuration)	S_IO	Public
IO.PWMdigitalOu...	F	8	PWM digital output (usage depends on configurat...	S_IO	Public
IO.RelayOutput	F	9	Relay output (watchdog - usage depends on conf...	S_IO	Public
IO.DigitalOutput10	F	10	Digital output 10 (not used)	S_IO	Public
IO.DigitalOutput11	F	11	Digital output 11 (not used)	S_IO	Public
IO.DigitalOutput12	F	12	Digital output 12 (not used)	S_IO	Public
IO.DigitalOutput13	F	13	Digital output 13 (not used)	S_IO	Public
IO.DigitalOutput14	F	14	Digital output 14 (not used)	S_IO	Public
IO.DigitalOutput15	F	15	Digital output 15 (not used)	S_IO	Public

7.4 Special Functions

7.4.1 Digital inputs (On-Board)

PG5 Device Configurator for PCD1.M2_

Onboard Inputs/Outputs		
I/O	Type	Description
I/O 0	16 Digital In-/Outputs	4 digital inputs, 4 digital outputs, 4 configurable in- or output
I/O 1	2 Analogue Inputs	2 analogue inputs, -10..+10VDC, 0..20mA, Pt/Ni 1000 or res

Properties

7

Select whether channel 4 to 7 should be used as a digital input or output

Select whether the PWM channel should be used as a PWM output or standard output

Select whether the watchdog channel should be used as a watchdog output or standard relay output

Connections <IX0> and <IX1> (inputs) on the terminal of PCD1.M2_:

From COSinus version 1.22 firmware both inputs can be mapped to flags and their function be configured.

7.4.2 Analogue inputs (On-Board)

Onboard Inputs/Outputs		
I/O	Type	Description
I/O 0	16 Digital In-/Outputs	4 digital inputs, 4 digital outputs, 4 configurable in- or outputs, 2
I/O 1	2 Analogue Inputs	2 analogue inputs, -10..+10VDC, 0..20mA, Pt/Ni 1000 or resista

Properties

Mapping setup for values and status or diagnosis

Channel setup and scaling information

Mapping table for analogue inputs

Symbol Name	Type	Address/Value	Comment	Tags	Scope
ROOT					
IO.AnalogueInput0	R	0	Analogue input 0	S_IO	Public
IO.AnalogueInput1	R	1	Analogue input 1	S_IO	Public
IO.AnalogueInput2	R	2	Analogue input 2	S_IO	Public
IO.AnalogueInput3	R	3	Analogue input 3	S_IO	Public

Mapping table for status of analogue inputs

Symbol Name	Type	Address/Value	Comment	Tags	Scope
ROOT					
IO.AnalogueInput...	F	32	Analogue input 0 status error	S_IO	Public
IO.AnalogueInput...	F	33	Analogue input 0 status under run	S_IO	Public
IO.AnalogueInput...	F	34	Analogue input 0 status over run	S_IO	Public
IO.AnalogueInput...	F	35	Analogue input 0 status 3 (not used)	S_IO	Public
IO.AnalogueInput...	F	36	Analogue input 0 status 4 (not used)	S_IO	Public
IO.AnalogueInput...	F	37	Analogue input 0 status 5 (not used)	S_IO	Public
IO.AnalogueInput...	F	38	Analogue input 0 status 6 (not used)	S_IO	Public
IO.AnalogueInput...	F	39	Analogue input 0 status 7 (not used)	S_IO	Public
IO.AnalogueInput...	F	40	Analogue input 1 status error	S_IO	Public
IO.AnalogueInput...	F	41	Analogue input 1 status under run	S_IO	Public
IO.AnalogueInput...	F	42	Analogue input 1 status over run	S_IO	Public
IO.AnalogueInput...	F	43	Analogue input 1 status 3 (not used)	S_IO	Public
IO.AnalogueInput...	F	44	Analogue input 1 status 4 (not used)	S_IO	Public
IO.AnalogueInput...	F	45	Analogue input 1 status 5 (not used)	S_IO	Public
IO.AnalogueInput...	F	46	Analogue input 1 status 6 (not used)	S_IO	Public
IO.AnalogueInput...	F	47	Analogue input 1 status 7 (not used)	S_IO	Public

8 Maintenance

8.1 General Information




PCD1.M2_ controllers are maintenance-free, apart from the CPUs, where the battery needs to be changed occasionally.

PCD1 CPUs do not contain any parts which can be replaced by the user. If hardware problems occur, please return the components to Saia-Burgess Controls AG.

8.2 Battery Replacement for the PCD1.M2_

Resources (registers, flags, timers, counters, character strings/DBs, etc.) are stored in RAM. To prevent this content from being lost during a power failure, and to enable the hardware clock (if present) to carry on running, PCD1 devices are equipped with a back-up battery:

8

CPU model	Buffer	Buffer time	Image
PCD1.M2_	Renata CR 2032 lithium battery	1-3 years ¹⁾	

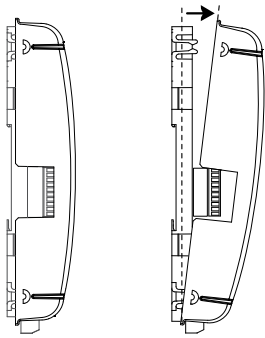
¹⁾ Depending on the ambient temperature: the higher the temperature, the shorter the buffer time

Battery voltage is monitored by the CPU. If the battery is absent or capacity is lost (battery voltage less than 2.4V) the triangular yellow LED blinks and XOB 2 is called.



In order to prevent data loss, we recommend changing the batteries while the PCD1.M2_ is still connected to the power supply.

See next page for battery replacement procedure.

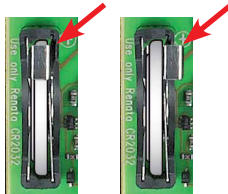


Remove the cover of the controller.
(see chapter 2.2.6 **Removing the Cover**)



Locate the battery

8



Gently press the battery retaining clip to the right



Remove the battery



Insert the Renata CR 2032 button battery with the label side (+ pole) up, slightly pushing the battery retaining clip to the side.

The + symbol can also be seen on the circuit board.






Fit the housing cover.



Check the battery display (red LED dark)
Battery o.k. = yellow, triangular LED dark
Battery error = yellow, triangular LED blinking

A Annex

A.1 Icons

	<p>In manuals, this symbol refers the reader to further information in this manual or other manuals or technical information documents. As a rule there is no direct link to such documents.</p>
	<p>This symbol warns the reader of the risk to components from electrostatic discharges caused by touch. Recommendation: Before coming into contact with electrical components, you should at least touch the system's negative pole (cabinet or PGU connector). However, it is better to use a grounding wrist strap with its cable permanently attached to the system's negative pole.</p>
	<p>This sign accompanies instructions that must always be followed.</p>
	<p>Explanations beside this sign are valid only for the Saia PCD® Classic series.</p>
	<p>Explanations beside this sign are valid only for the Saia PCD® xx7 series.</p>



A.2 Definition of Serial Interfaces

A.2.1 RS-232

Designation of signal lines:

Data lines	TXD	Transmit data	[Transmit data]
	RXD	Receive data	[Receive data]
Signal and response circuits	RTS	Request to send	[Transmit part switched on]
	CTS	Clear to send	[Readiness to send]
	DTR	Data terminal ready	[Terminal ready]
	DSR	Data set ready	[Ready for use]
	RI	Ring indicator	[Incoming call]
	DCD	Data carrier detect	[Partner ready]

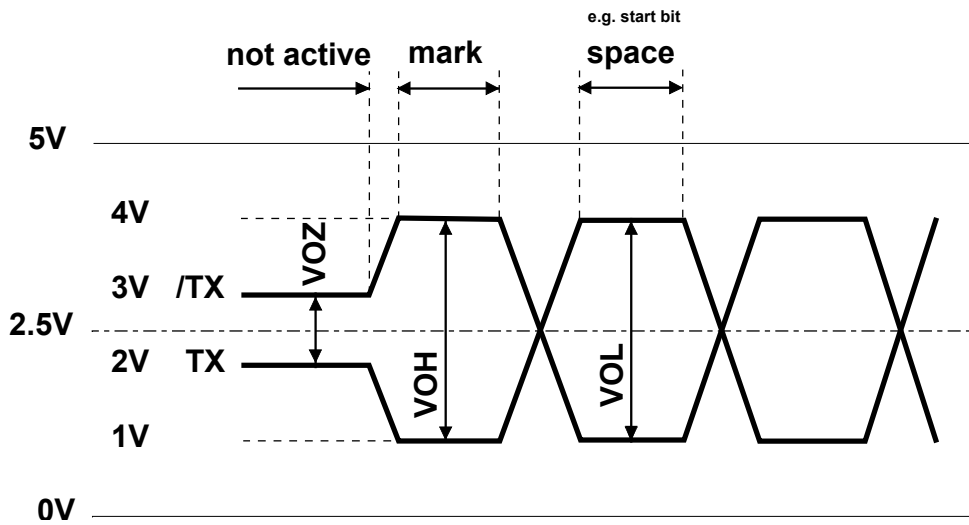
Signals to RS-232

Signal type	Logic status	Setting	Setpoint value
Data signal	0 (empty)	+3 V to +15 V	+7 V
	1 (character)	-15 V to -3 V	-7 V
Control/message signal	0 (off)	-15 V to -3 V	-7 V
	1 (on)	+3 V to +15 V	+7 V



A.2.2 RS-485 / RS-422

Signals to RS-485 (RS-422)



- VOZ = 0.9 V min ... 1,7 V
- VOH = 2 V min (with load) ... 5 V max (without load)
- VOL = -2 V ... -5 V



The RS-422 is in idle status in the position “mark”

RS-422:

Signal type	Logic status	Polarity
Data signal	0 (empty) 1(character)	TX positive to /TX/TX positive to TX
Control/message signal	0 (off) 1 (on)	/RTS positive to RTS RTS positive to /RTS

RS-485:

Signal type	Logic status	Polarity
Data signal	0 (empty) 1(character)	RX-TX positive to /RX-/TX/RX-/TX positive to RX-TX



Not all manufacturers use the same connection configuration. Therefore, it may be necessary to cross the data lines.



In order to ensure fault-free operation of an RS-485 network, the network should be closed at both ends. Cables and terminators should be selected according to Manual 26-740 “Installation Components for RS-485 Networks”.

A.3 Glossary

Backup	Saved data (copy on an additional backup memory)
Base address	See chapter 2.1.3 “Addressing” → “Plug-in Input and Output Modules”
Buffer battery	Retention of memory content and continuation of the clock after a power supply shut-down.
Compiler	A compiler (from the word compile, to collect) is a program which translates the source text (source code) of another program, which is provided in a specific programming language, into a character sequence that is understandable for the computer.
CPU (Central Processing Unit)	Housing with central unit, the heart of the PCD
Device	Device
Download	Abb. “DnLD” Save data to PCD
Element	e.g. PLC input, PLC output, flag, register, etc.
Linker	After the compiler has done its work, the linker combines the individual files to create a program.
LIO (Local Input Output)	Inputs/outputs on the CPU (on-board) or connected through the I/O bus (not PCD1) on the CPU.
Media	Media refers to inputs/outputs, flags, registers, etc. in the PCD family.
Media mapping	Assignment of digital and analogue I/O values to flags and registers.
Modules	Carrier cards for input/output electronics
Module holder	CPU, LIO or RIO devices which can accommodate the aforementioned modules.
Motherboard	Main circuit board (CPU)
IL	Instruction list (PCD program code)
NT	New technology, means the PCD generation following the first generation
On-board	means mounted “on the CPU circuit board”
Parsing	A parser is often a type of compiler, which checks the syntax of the program.
PGU	Programmable Unit → programming unit
Port	Interface designation
PWM	PWM stands for Pulse Width Modulation. Pulse width modulation works with a constant pulse rate and a constant pulse amplitude, only the pulse width is variable. Because the pulse rate is constant, but the pulse width changes, the pulse duty factor changes. With a PWM output, it is possible to output analog values without expensive A/D converters.
Restore	Saved datas load from media
Resources	In this case inputs or outputs,
RIO (Remote Input Output)	Inputs/outputs on the CPU (on-board) or connected through the I/O bus on the CPU.
Slot	Slot for plug-in
SPM	Saia Project Manager, main program of the PG5 package

SuperCap	Electronic component (capacitor), which can deliver current for a short time. Retention of memory content and continuation of the clock after a power supply shut-down.
Terminated	Reflections at the line ends are prevented through line termination
PCD2.M2xxx	x in the product designation stands for a number 0...9. In this case it is a three-digit number, such as PCD2.M2110 .



A.4 Contact

Saia-Burgess Controls AG

Bahnhofstrasse 18
3280 Murten, Switzerland

Phone central..... +41 26 580 30 00

Phone Saia-PCD Support..... +41 26 580 31 00

Fax..... +41 26 580 34 99

Email support: support@saia-pcd.com

Supportsite: www.sbc-support.com

SBC site: www.saia-pcd.com

International Representatives &

SBC Sales Companies: www.saia-pcd.com/contact

Postal address for returns from customers of the Swiss Sales office

Saia-Burgess Controls AG

Service Après-Vente
Bahnhofstrasse 18
3280 Murten, Switzerland

A