

# 5.7" TFT/VGA Programmable Web-Panel MB Saia PCD7.D457VT5F

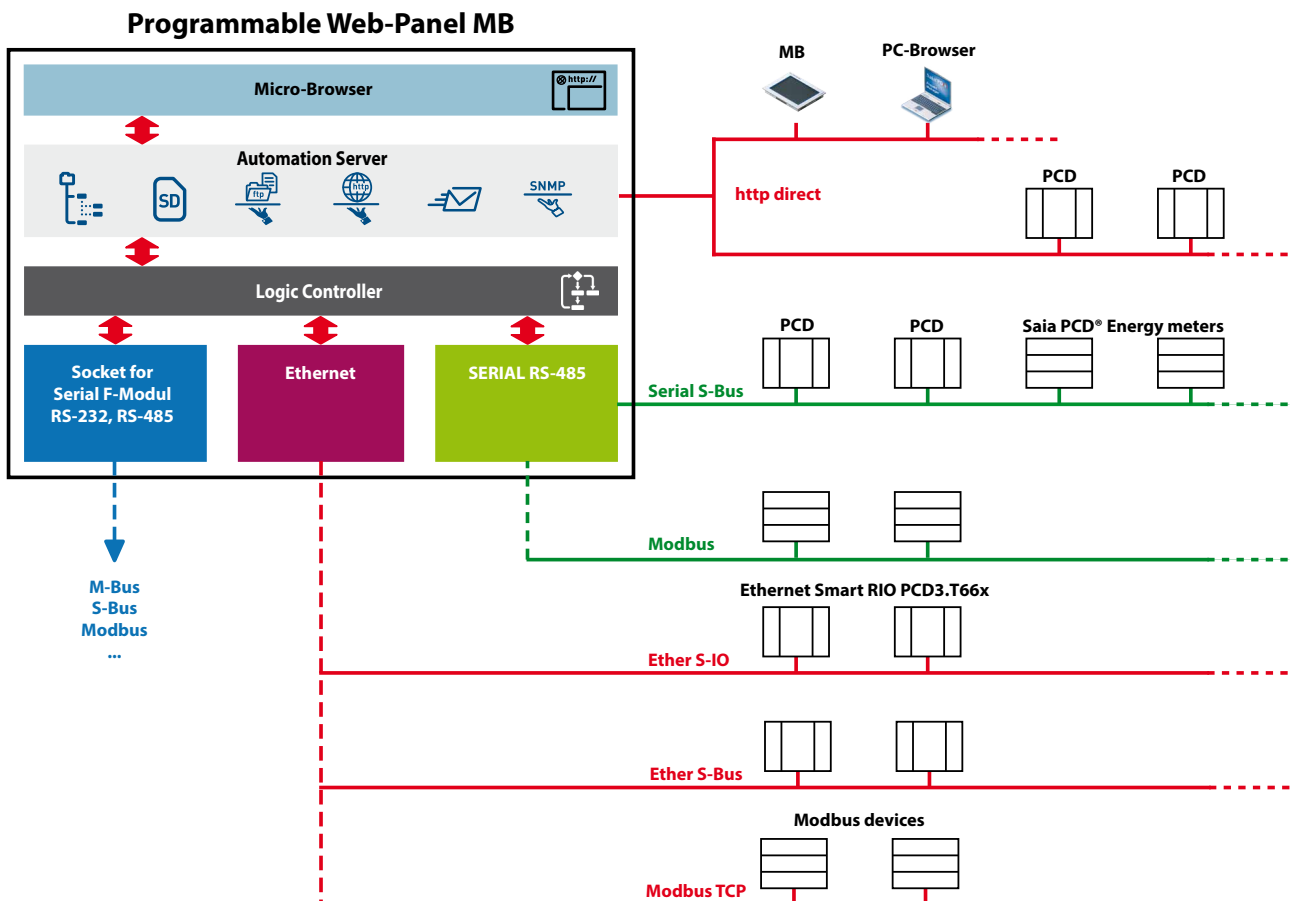


The new product type combines a Web-Panel and an Automation Server as well as control and management functions in one device. The integrated logic controller can be programmed with the software tool Saia PG5® to perform simple control applications or complex HMI functions.

With the integrated Automation Server, the large storage resources and multiple communication possibilities, this panel fits perfect as a management station and data concentrator.

The 5.7" programmable Web Panel MB has a high-quality TFT color display with VGA resolution (640 × 480 pixels) and LED backlight.

## Block diagram (functionality)



## Technical data

### General data

Supply voltage	18...32 VDC
Current consumption	max 500 mA on 24 VDC
Protection class (front)	IP 65
Dimensions (W × H × D) mm	202 × 156 × 42
Cut-out (W × H) mm	189 × 142
Temperature range	Operations: 0...50 °C typical Storage: -25...+70 °C
Relative humidity	Operations: 10 to 80% Storage: 10 to 98% non condensing
Processor	Coldfire CF5373L, 240 MHz
Date-time (RTC)	Backup through battery for data retention
Battery	Lithium Renata CR2032 (Retention 1...3 year)

### Display

Screen colors	65'536
Display	5.7" TFT
Resolution / Pixel	VGA 640 × 480
Touch screen	Four wire resistive touch screen
Contrast adjustment	Yes
Backlight	LED with a life cycle of 50 thousand hours

### Logic Controller

User program, ROM /DB/text	1 MBytes
RAM DB/text	1 MBytes
Media	16'384 Flags / 16'384 Registers
Backup for user program	User program is always saved on integral µSD-Card and is therefore always backed up, even without battery!
User file system	128 MBytes on board
Program cycle time	10 cycles / sec maximum

### Fieldbus Protocols

Serial-S-Bus, Ether-S-Bus, Ether-S-IO
Modbus RTU, Modbus ASCII or TCP, M-Bus

### Internet Services

Browser	SBC Micro-Browser
HTTP Server	Visualisation with Web-Browser and Web-Panel
FTP-Server	Simple data exchange
TCP/IP	Efficient communication
SMTP Client	E-Mails with file attachments (e.g. Log-files)
DHCP and DNSClient	Easy connection to IP networks
SNTP Client	Synchronisation of internal clock

### Synchronisation of internal clock

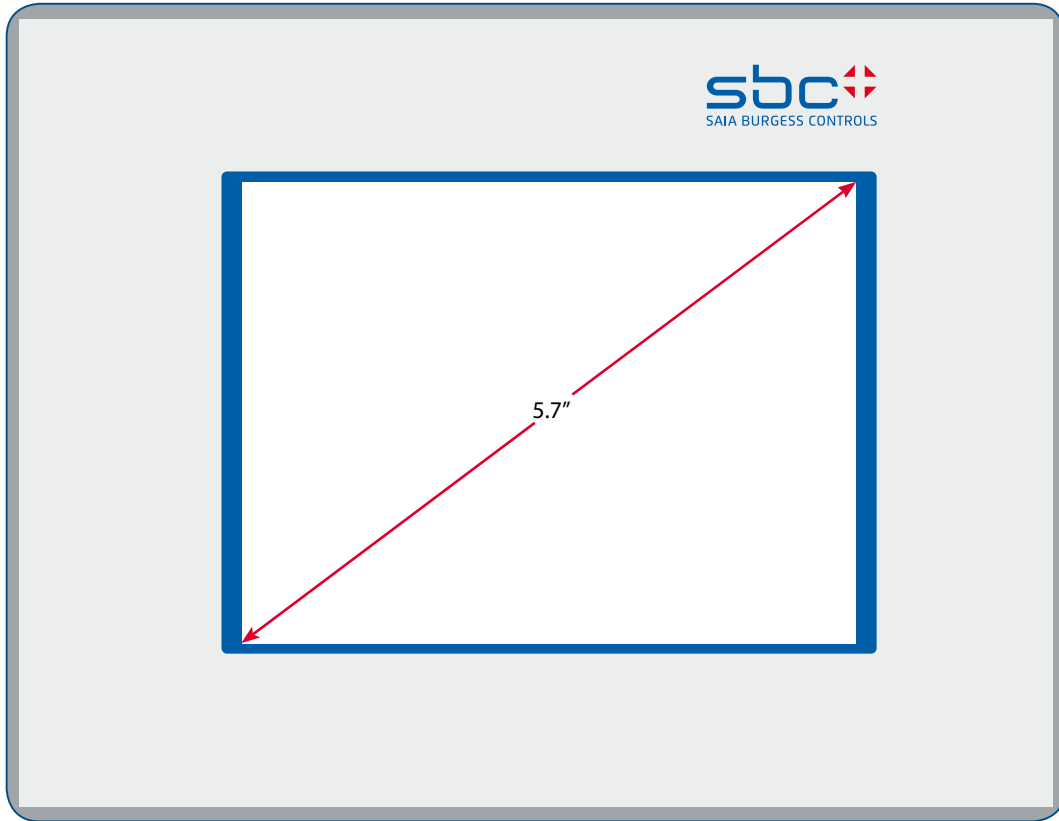
Ethernet 10 / 100 M	2 × RJ45 (Switch)/http direct
USB 12 M	1 × client
Serial up to 115 kB	RS-485 & socket for PCD7.F1xxS

### Software

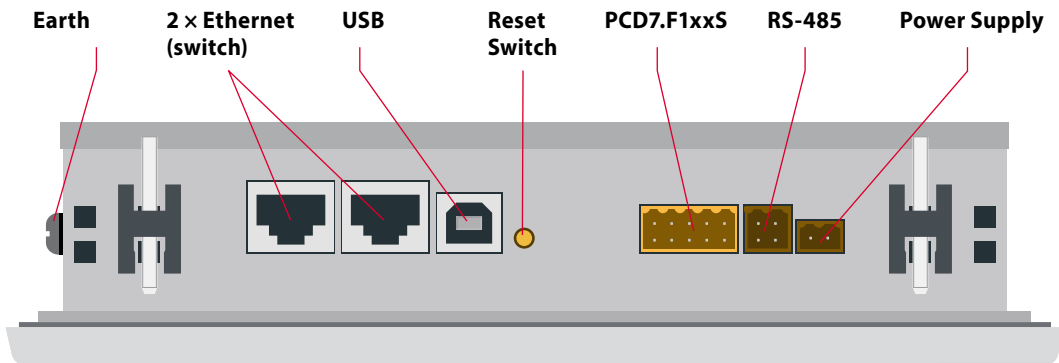
Saia PG5°	Programming tool for PLC applications (IL, FUPLA and GRAFTEC)
Saia PG5° Web-Editor	Graphics editor for SBC Micro-Browser



## Front view

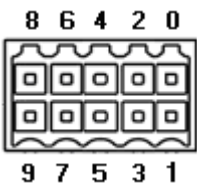


## Installation



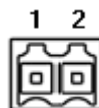
## Connections

### PCD7.F1xxS



Connector pins	Signal RS-232	Signal RS-485
0	GND	GND
1	TXD	D
2	RXD	/D
3	RTS	
4	CTS	
5	GND	GND
6	DTR	
7	DSR	
8	COM	
9	DCD	

### Power Supply



Connector pins	Signal
1	24 V (+)
2	GND (-)

### RS-485



Connector pins	Signal
1	GND
2	NC
3	/D
4	D

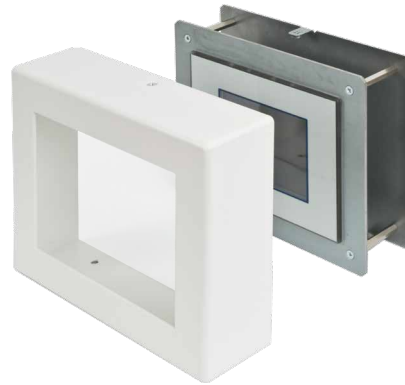
## Order information

Model	Description	Weight
<b>Programmable Web-Panel with embedded SBC Micro-Browser</b>		
<b>PCD7.D457VT5F</b>	5.7" TFT VGA pWeb Panel MB with 65 K colors, LED backlight, 128 MB flash memory, 2 × Ethernet (switch), USB, RS-485 and socket for PCD7.F1xxS, programmable with the software tool Saia PG5®	1100 g
<b>Accessories</b>		
<b>PCD7.D457-IWS2</b>	Kit for in-wall mounting	1500 g
<b>PCD7.D457-OWS*</b>	Kit for on-wall mounting	2420 g
<b>PCD7.D457-OWS1*</b>	Kit for on-wall mounting	1520 g
<b>PCD7.D457-OWS2</b>	Kit for on-wall mounting	1500 g
<b>3 230 9178-001</b>	Fixation set (4 pieces)	24 g
<b>3 230 9178-002</b>	Fixation set (6 pieces)	36 g

\* not recommended for new projects



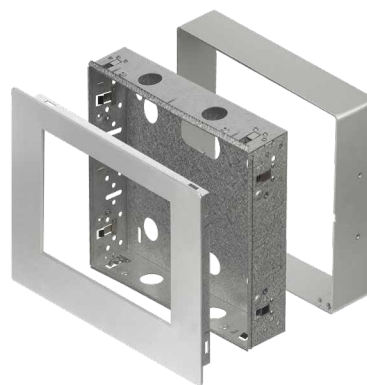
**Kit for in-wall mounting  
PCD7.D457-IWS2**



**Kit for on-wall mounting  
PCD7.D457-OWS**



**Kit for on-wall-mounting  
PCD7.D457-OWS1**



**Kit for on-wall-mounting  
PCD7.D457-OWS2**

### Saia-Burgess Controls AG

Bahnhofstrasse 18 | 3280 Murten, Switzerland  
T +41 26 580 30 00 | F +41 26 580 34 99  
www.saia-pcd.com

support@saia-pcd.com | www.sbc-support.com