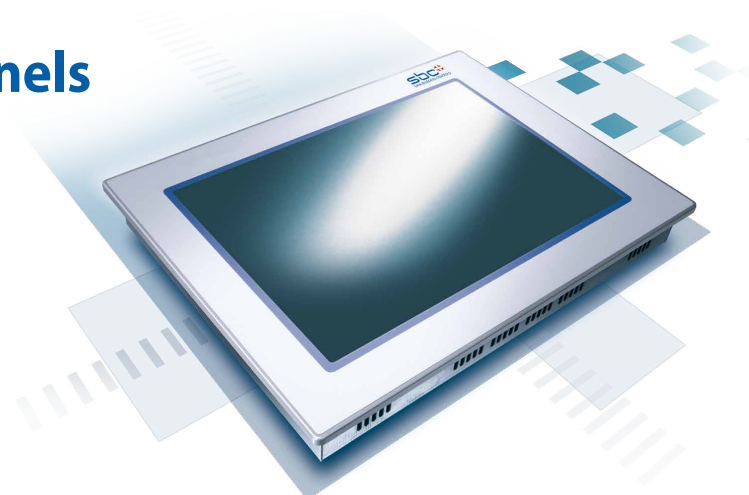


# SBC Micro Browser Web-Panels

## 10.4" TFT / VGA

### Saia PCD7.D410VTCF



The 10.4" Micro-Browser Panel has a high-quality TFT Touch-Display with VGA resolution. The Panel is based on the new efficient CPU platform already used with the 5.7" MB VGA-Panel.

A special feature of this new Web-Panel is its small mounting size. The frame around the display is much smaller than usual for control devices in this class. As a result, it has 10.4" of useful area for the mounting dimensions of an 8.4" device. The aluminium front of this new micro-browser Web-Panel is protected with a continuous membrane to prevent soiling.

Alongside USB, Ethernet and PS2 interfaces, an RS-232 and RS-485 interface are also provided as standard. Two optional slots allow further expansion, for example to a data concentrator with 1 GByte of industrial memory.

For installation, we offer a very clever solution; either in-wall mounted or on-wall mounted:

In-wall mounting: In-wall mounting uses a metal box.

On-wall mounting: The kit for on-wall mounting consists of an installation kit with an in depth adjustable aluminum frame.

#### Main features



##### Display / Handling

- Resolution VGA
- TFT technology
- Portrait / landscape mounting position
- Surface smooth
- Dirt resistant



##### Communication

- Ethernet
- Serial RS-232 / RS-485
- USB client
- PS/2 (comfort line)



##### Processor/server/OS

- Processor Coldfire
- Memory for local web-server 4 MB flash
- Web-server
- Saia PCD® COSinus
- SD-Card (Option)



##### Software tool

- Saia PG5® Web Editor



##### Browser

- SBC Micro Browser



#### Technical Data

Lines Types	Base PCD7.D410VTCF
-------------	--------------------

##### Display

Screen colours	65 536
Display	10.4 "TFT
Resolution/Pixel	VGA 640x480
Touch-Screen	4 wire resistive touch-screen
Contrast adjustment	yes
Backlight	CCFL

##### Processor

Processor	Coldfire
Memory for local web server	4 MB Flash
CFC card slot extern	Option

##### Interfaces

Ethernet 10/100 M	1 x RJ45
USB 12 M	1 x client
Serial (D-Sub9)	1 x RS-232 <sup>1)</sup>
Serial	1 x RS-485
Keyboard/barcode	1 x PS/2
Operating System	Saia PCD® COSinus
Browser	SBC Micro Browser
Server	Web-Server (HTTP D)

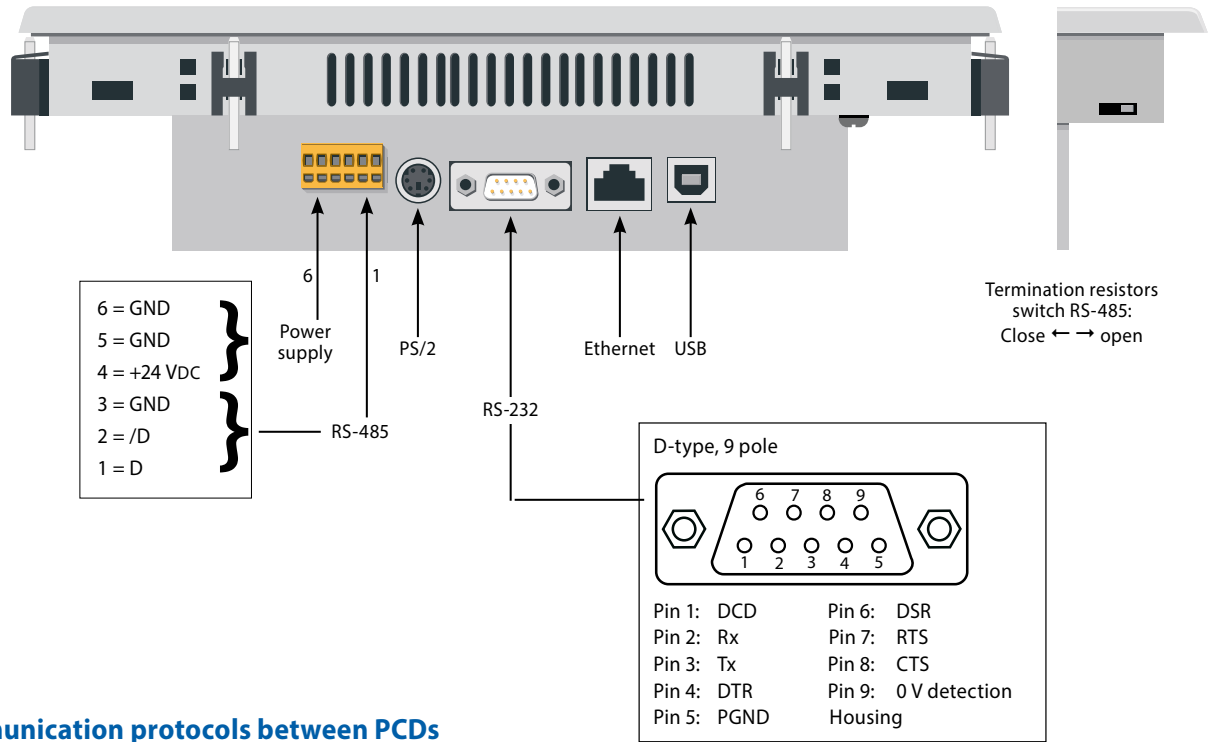
##### Software tools

Graphic editor *	Saia PG5® Web Editor
*using PG5 ressources	yes

##### Technical data

Supply voltage	18...32 VDC
Current consumption at UN	600 mA
Protection class (front)	IP 65
Dimensions (B x H x T) mm	281 x 221 x 56
Cut-out (B x H) mm	262 x 202
Accessories	Kits for in-wall and On-Wall mounting

<sup>1)</sup> + printer



## Communication protocols between PCDs and MB panels

SBC PCD types	Ethernet		Serial
	http direct	S-Bus	S-Bus
PCD3.M5340 / M5360 / M5540 / M5560 / M6340 / M6360 / M6540 / M6560 / M6860 / M6880	•	•	•
PCD3.M5440 / M6240 / M6440			•
PCD3.M3120 / M3160 / M3330 / M3360	•	•	•
PCD3.M3020 / M3230			•
PCD3.M2130V6 / M2330A4T5	•	•	•
PCD3.M2030V6			•
PCD2.M4160 / M4560 / M5540	•	•	•
PCD2.M5440			•
PCD1.M0160E0 / M2120 / M2160 / M2220-C15	•	•	•
PCD1.M2020			•



## Ordering information

Type	Description	Weight
<b>Flush mounting base line web panel with embedded SBC Micro Browser</b>		
PCD7.D410VTCF	10.4" TFT VGA base line panel with 65 colors and PS/2 interface	2000 g
PCD7.D410VTCZ11	10.4" TFT VGA base line panel with 65 colors and PS/2 interface with neutral laminated front overlay (without SBC logo and code)	2000 g
<b>Accessories</b>		
3 230 9178-001	Fixation set (4 pieces)	24 g
3 230 9178-002	Fixation set (6 pieces)	36 g
<b>Accessories</b>		
PCD7.D410-IWS	Kit for in-wall-mounting	850 g
PCD7.D410-OWS	Kit for on-wall-mounting	1300 g

### Saia-Burgess Controls AG

Bahnhofstrasse 18 | 3280 Murten, Switzerland  
T +41 26 580 30 00 | F +41 26 580 34 99  
www.saia-pcd.com

support@saia-pcd.com | www.sbc-support.com