



5.7" TFT / VGA

SBC Micro Browser Web-Panels

Saia PCD7.D457VTCF / VMCF

The introduction to our expanded range of Micro Browser panels is a new step in the Web HMI technology. Based on a higher efficient electronic platform, the new 5.7" MB Web panels go farther on in offering a high resolution of display, LED backlighting and new functionalities. The very high transparency touch screen allows a perfect legibility of small characters (European, Asiatic...) and keeps all nuances of colours.

Main features



Display / Handling

- Resolution VGA
- Fine pixel (3000 / cm²)
- TFT technology
- Portrait / landscape mounting position
- White LED backlighting
- Very high transparency touch screen



Communication



- Ethernet
- Serial RS-232 / RS-485
- USB client



Processor/server/OS

- Processor Coldfire
- Memory for local web-server 4 MB flash
- Web-server
- FTP-Server
- Saia PCD® COSinus



Software tool

- Saia PG5® Web Editor



Browser

- SBC Micro Browser



Technical Data

Lines Types	Base PCD7.D457VTCF
-------------	-----------------------

Display

Screen colours	65 536
Display	5.7" TFT
Resolution/Pixel	VGA 640 × 480
Touch screen	Resistive touch screen
Contrast adjustment	yes
Backlight	LED

Processor

Processor	Coldfire
Memory for local web server	4 MB Flash
CFC card slot extern	Option

Interfaces

Ethernet 10/100 M	1 × RJ45
USB 12 M	1 × client
Serial (D-Sub9)	1 × RS-232
Serial	1 × RS-485

Operating System

Operating System	Saia PCD® COSinus
------------------	-------------------

Browser

Browser	SBC Micro Browser
---------	-------------------

Server

Server	Web-Server (HTTP D) / FTP-Server
--------	----------------------------------

Software tools

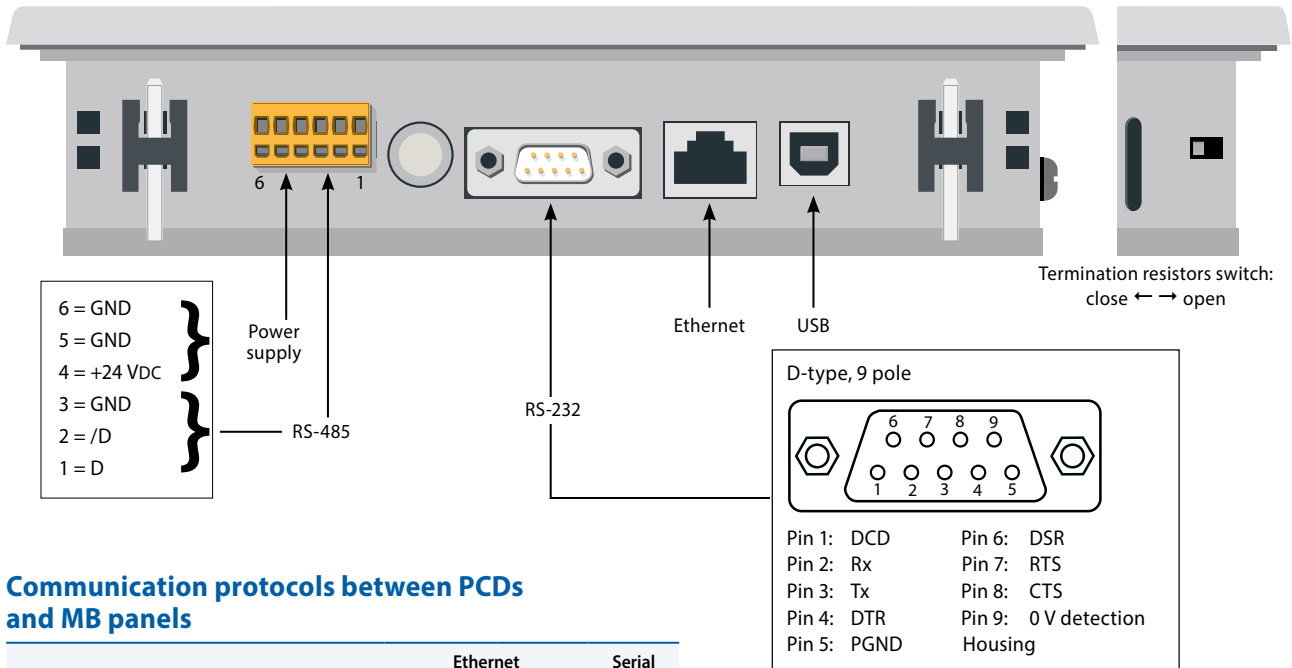
Graphic editor *	Saia PG5® Web Editor
*using PG5 resources	yes

Technical data

Supply voltage	18...32 VDC
Current consumption at Un	500 mA
Protection class (front)	IP 65
Dimensions (B × H × T) mm	202 × 156 × 42
Cut-out (B × H) mm	189 × 142

Accessories

Accessories	Kits for in-wall and On-Wall mounting
-------------	---------------------------------------



Communication protocols between PCDs and MB panels

SBC PCD types	Ethernet		Serial
	http direct	S-Bus	S-Bus
PCD3.M5340 / M5360 / M5540 / M5560 / M6340 / M6360 / M6540 / M6560 / M6860 / M6880	•	•	•
PCD3.M5440 / M6240 / M6440			•
PCD3.M3120 / M3160 / M3330 / M3360	•	•	•
PCD3.M3020 / M3230			•
PCD3.M2130V6 / M2330A4T5	•	•	•
PCD3.M2030V6			•
PCD2.M4160 / M4560 / M5540	•	•	•
PCD2.M5440			•
PCD1.M0160E0 / M2120 / M2160 / M2220-C15	•	•	•
PCD1.M2020			•

Ordering information

Type	Description	Weight
Flush mounting web panel with embedded SBC Micro Browser		
Base line MB Panel PCD7.D457VTCF	5.7" TFT VGA base line panel with 65 Kcolors	1000 g
PCD7.D457VTCZ11	Web panel PCD7.D457VTCF with embedded Micro-Browser, with neutral laminated front overlay (without SBC logo and code)	1000 g
PCD7.D457VTCZ33	Web panel PCD7.D457VTCF with embedded Micro-Browser, with true brushed aluminium front overlay	1000 g
PCD7.D457VTCZ34	Web panel PCD7.D457VTCF with embedded Micro-Browser, without front overlay	1000 g
PCD7.D457VTCZ35	Web panel PCD7.D457VTCF with embedded Micro-Browser, with black and sparkling front overlay	1000 g
PCD7.D457VTCZ36	Web panel PCD7.D457VTCF with embedded Micro-Browser, front overlay with mirror effect	1000 g
Accessories		
3 230 9178-001	Fixation set (4 pieces) for web panel with embedded Micro-Browser	24 g
3 230 9178-002	Fixation set (6 pieces) for web panel with embedded Micro-Browser	36 g
PCD7.D457-IWS2	Kit for in-wall mounting of the Micro-Browser web panels 5.7" and 7"	1500 g
PCD7.D457-OWS	Kit for on-wall mounting of the Micro-Browser web panels 5.7" and 7"	2420 g
PCD7.D457-OWS1	Kit for on-wall mounting of the Micro-Browser web panels 5.7" and 7" with space for power supply	1500 g
PCD7.D457-OWS2	Kit for on-wall mounting of the Micro-Browser web panels 5.7" and 7"	1500 g

Saia-Burgess Controls AG

Bahnhofstrasse 18 | 3280 Murten, Schweiz
T +41 26 580 30 00 | F +41 26 580 34 99
www.saia-pcd.com

support@saia-pcd.com | www.sbc-support.com