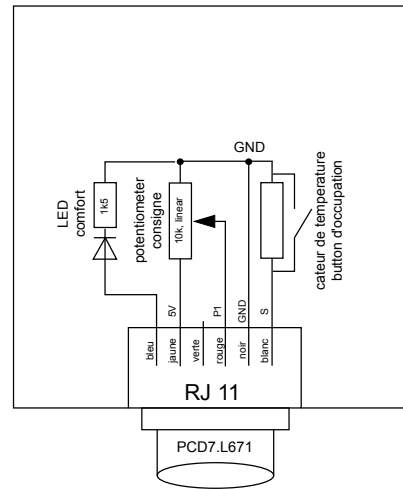


1 Analogue room control units

| | |
|-----------|---|
| PCD7.L63x | General technical specification |
| | --- |
| PCD7.L630 | Room temperature sensor |
| PCD7.L631 | Room temperature sensor with set point setting |
| PCD7.L632 | Room temperature sensor with set point setting, presence sensor and LED |

1

1.1 Techn. specifications of analogue room control units PCD7.L630 - .L632



1

Pin allocation PCD7.L630 - .L632

| Signal | Terminal | Description |
|--------------------|-----------|---|
| Temperature sensor | S, GND | Temperature sensor NTC 10 kΩ, measurement range 0...40 °C. |
| Presence sensor | S, GND | Floating sensor using the temperature sensor. |
| Set point setting | 5V,P1,GND | Potentiometer (10 kΩ, linear) for setting a configurable set point displacement. See description of Config FBox or registers (reg. 104) |
| LED | LED, GND | LED to display Comfort mode. Comfort mode = 5 V, otherwise 0 V. (5 V, 2 mA max.) |

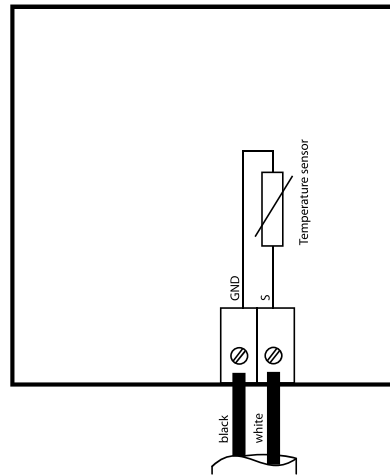
PCD7.L671 connecting cable - colour table

| Colour | Terminal | Description |
|--------|----------|--|
| White | S | Temperature/presence sensor |
| Black | GND | Ground |
| Red | P1 | Potentiometer centre tap |
| Green | | Not used |
| Yellow | 5 V | Potentiometer power supply |
| Blue | LED | LED with 1.5 kΩ series resistance. (max. 2 mA) |

Note

All information points can be read by the SBC S-Bus via a Room FBox or via registers independently of the application.

The use of an analogue room control unit must be indicated in the room controller configuration. See description of Config FBox or registers.

1.1.1 Technical data for PCD7.L630

1

Room temperature sensor

Pin allocation for PCD7.L630

| Signal | Terminal | Description |
|--------------------|----------|---|
| Temperature sensor | S, GND | Temperature sensor NTC 10 k Ω , measurement range 0...40 °C. |

Pin allocation for connecting cable PCD7.L671

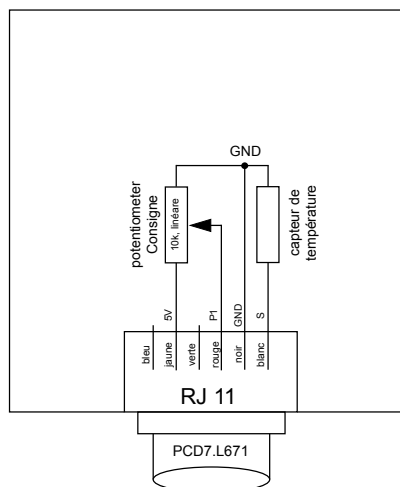
| Colour | Terminal | Description |
|--------|----------|-----------------------------------|
| White | S | Temperature/presence sensor |
| Black | GND | Ground for the temperature sensor |

Note

All information points can be read by the SBC S-Bus via a Room FBox or via registers independently of the application.

The use of an analogue room control unit must be indicated in the configuration. See description of Config FBox or registers.

1.1.2 Technical data for PCD7.L631



1

Room control unit with temperature sensor and set point setting.

Pin allocation for PCD7.L631

| Signal | Terminal | Description |
|--------------------|-------------|--|
| Temperature sensor | S, GND | Temperature sensor NTC 10 k Ω , measurement range 0... 40 °C. |
| Set point setting | 5V, P1, GND | Potentiometer to set a configurable set point displacement. See description of Config FBox or registers (reg. 104) |

PCD7.L671 connecting cable - colour table

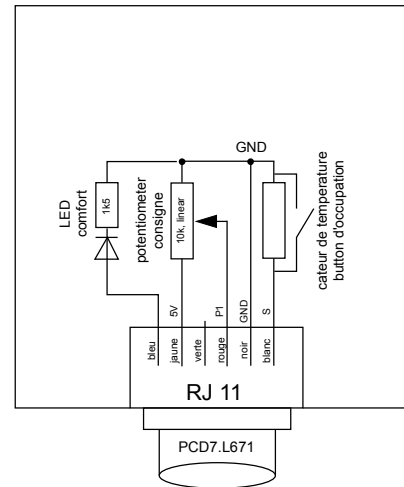
| Colour | Terminal | Description |
|--------|----------|--|
| White | S | Temperature sensor |
| Black | GND | Ground |
| Red | P1 | Set point potentiometer |
| Green | | Not used |
| Yellow | 5 V | Set point potentiometer power supply |
| Blue | LED | LED with 1.5 k Ω series resistance. (max. 2 mA) |

Note

All information points can be read by the SBC S-Bus via a Room FBox or via registers independently of the application.

The use of an analogue room control unit must be indicated in the configuration. See description of Config FBox or registers.

1.1.3 Technical data for PCD7.L632



1

Room control unit with temperature sensor, set point setting and illuminated presence sensor. When the controller is working in Comfort mode, the semi-transparent sensor lights up.

Pin allocation for PCD7.L632

| Signal | Terminal | Description |
|--------------------|-------------|--|
| Temperature sensor | S, GND | Temperature sensor NTC 10 kΩ, measurement range 0...40 °C. |
| Set point setting | 5V, P1, GND | Potentiometer to set a configurable set point displacement. See description of Config FBox or registers (reg. 104) |
| LED | LED, GND | The presence sensor lights up when the controller is running in Comfort mode. |

PCD7.L671 connecting cable - colour table

| Colour | Terminal | Description |
|--------|----------|--------------------------------------|
| White | S | Temperature sensor |
| Black | GND | Ground |
| Red | P1 | Set point potentiometer |
| Green | | Not used |
| Yellow | 5 V | Set point potentiometer power supply |
| Blue | LED | Presence sensor illumination |
| White | S | Temperature/presence sensor |

Note

All information points can be read by the SBC S-Bus via a Room FBox or via registers independently of the application.

The use of an analogue room control unit must be indicated in the configuration. See description of Config FBox or registers.