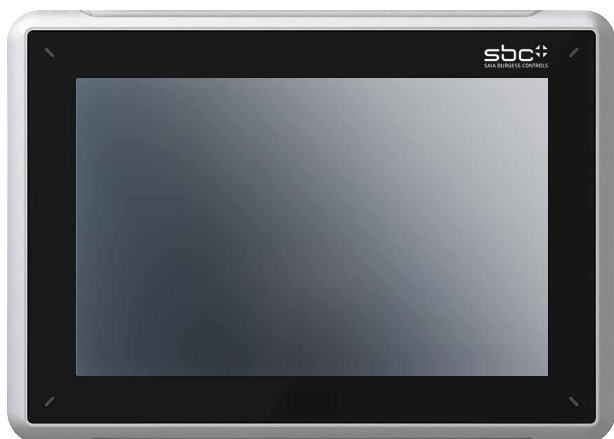


## 2.7 Web Panels with Windows® operating system

### Control panel for web visualisations with Windows®:

Saia PCD® Web Panels are specifically based on the requirements of web visualisations and preconfigured with all the relevant applications and software tools. No complicated installation and software updates. Saia PCD® Web Panels are ready to use immediately.

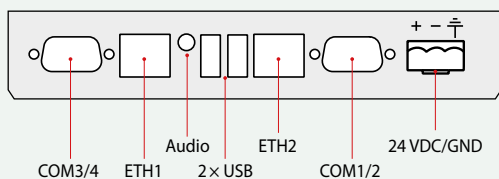


### Main features

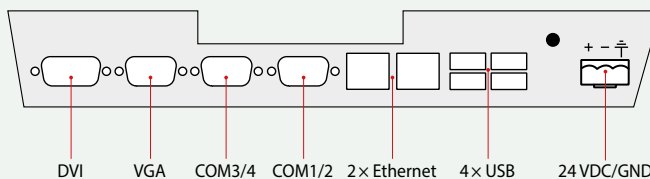
- ▶ Preconfigured and ready to use for web visualisations, optimised for Saia PCD® controllers
- ▶ 12"/15"/21" Colour TFT display and touch operation
- ▶ 2× Ethernet

### Device installation

PCD7.D51xxWTA010  
PCD7.D61xxWTA010



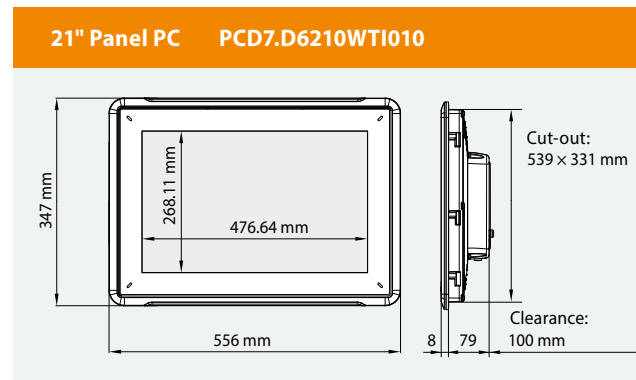
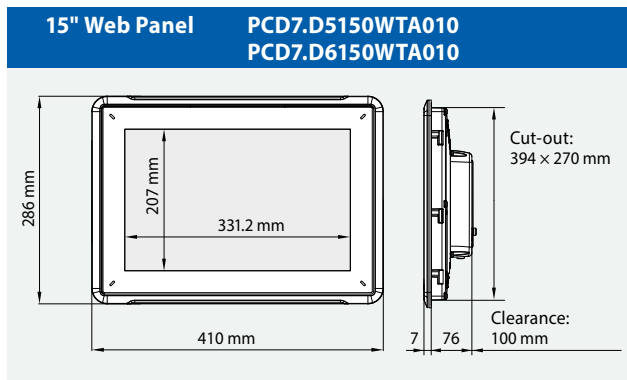
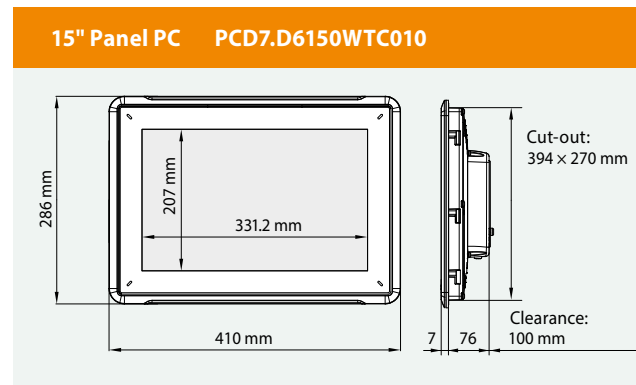
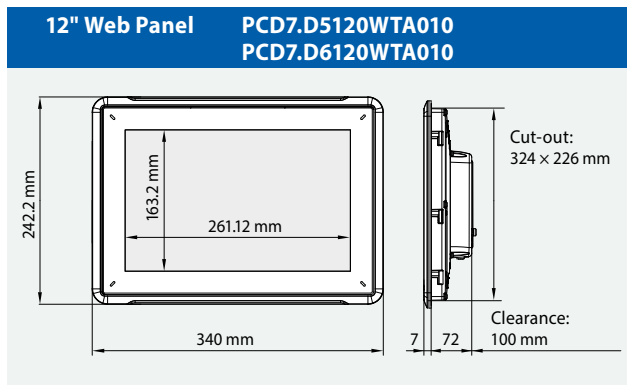
PCD7.D6150WTC010  
PCD7.D6210WTI010



### Technical Data

	PCD7.D5120WTA010	PCD7.D5150WTA010	PCD7.D6120WTA010	
Saia PCD® Web Panels for web visualisations				
Display size (inch)	12"/16:10	15"/16:10	12"/16:10	
Operating system	Windows® CE 6.0 R3	Windows® CE 6.0 R3	Windows® Embedded Standard 7	
Resolution (pixels)	1280 × 800	1280 × 800	1280 × 800	
Brightness	400 cd/m <sup>2</sup>	450 cd/m <sup>2</sup>	400 cd/m <sup>2</sup>	
CPU	Intel® Atom 1.6 GHz	Intel® Atom 1.6 GHz	Intel® Atom 1.6 GHz	
Main memory	1 GB	1 GB	2 GB	
Internal ROM	4 GB MLC	4 GB MLC	16 GB CFast	
Expandable ROM	2 GB SD (OS)	2 GB SD (OS)	SD (optional)	
Power consumption	22 W	24 W	22 W	
USB	3 × USB 2.0	3 × USB 2.0	3 × USB 2.0	
External monitor	--	--	--	
.Net	Compact Framework	Compact Framework	Framework 4.0	

## Dimensions (W × H × D) and cut-out (W × H) mm



## General specifications

Protection type (front)	IP 65
Web/FPT/VNC/File Server	Yes
Supply voltage	24 VDC ±20%
Serial	2× (RS-232 and RS-485 combined on a D-Sub 9-pin)
Applications	JAVA Runtime, microbrowser
Temperature range	Operation: 0...50°C, storage: -20...70°C
Humidity	Operation: 10...75%, storage: 10...95% non-condensing
Touch screen	Resistive touch screen



	PCD7.D6150WTA010	PCD7.D6150WTC010	PCD7.D6210WTI010
	Saia PCD® Web Panels for web visualisations	Saia PCD® Panel PCs designed for the high requirements of applications	
	15"/16:10	15"/16:10	21"/16:10
	Windows® Embedded Standard 7	Windows® Embedded Standard 7	Windows® Embedded Standard 7
	1280 × 800	1280 × 800	1920 × 1080
	450 cd/m <sup>2</sup>	450 cd/m <sup>2</sup>	250 cd/m <sup>2</sup>
	Intel® Atom 1.6 GHz	Intel® Celeron® 8810E 2 × 1.6 GHz	2.1 GHz Intel® I7-2715QE
	2 GB	2 GB	4 GB
	16 GB CFast	100 GB HDD	100 GB HDD
	SD (optional)	via USB	via USB
	24 W	114 W	125 W
	3 × USB 2.0	4 × USB 2.0	4 × USB 2.0
	---	DVI/VGA	DVI/VGA
	Framework 4.0	Framework 4.0	Framework 4.0